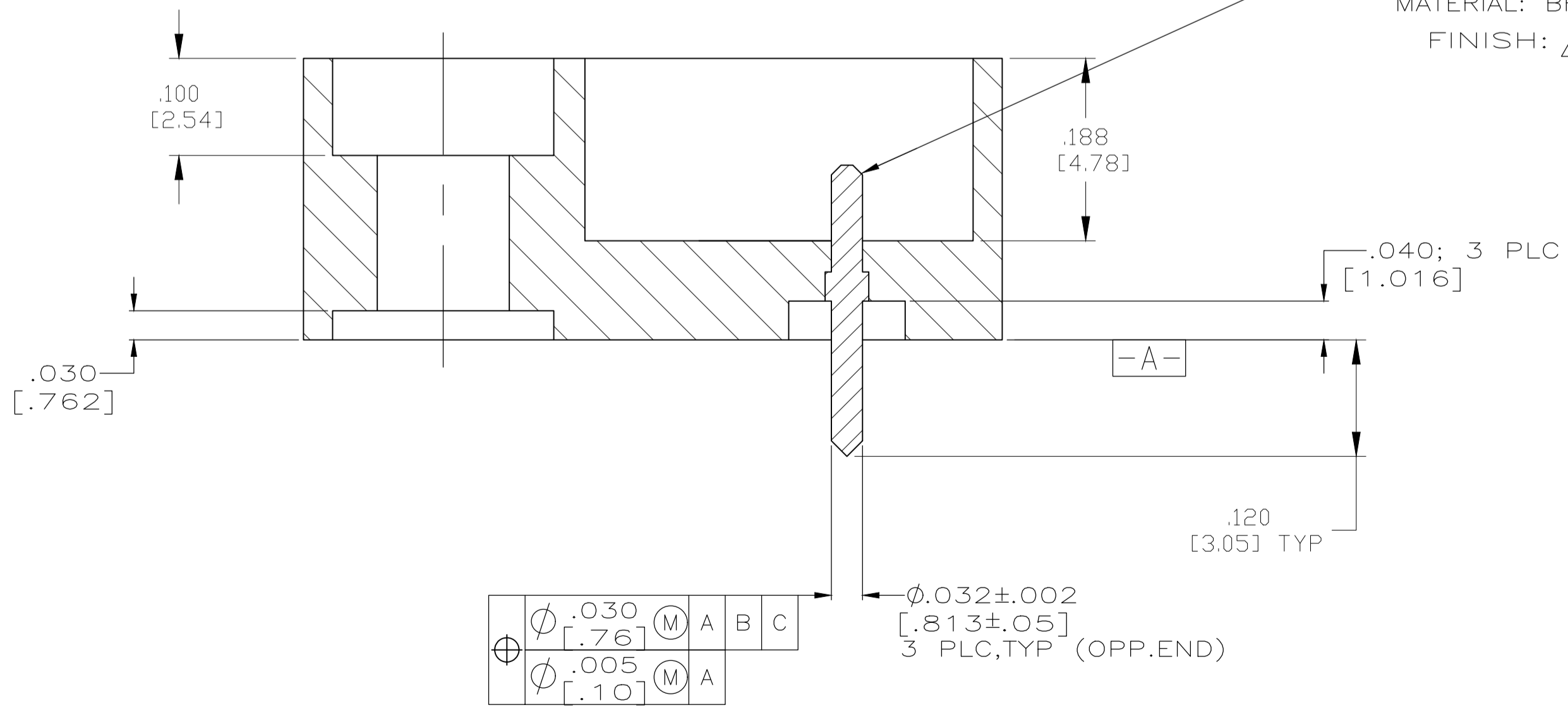
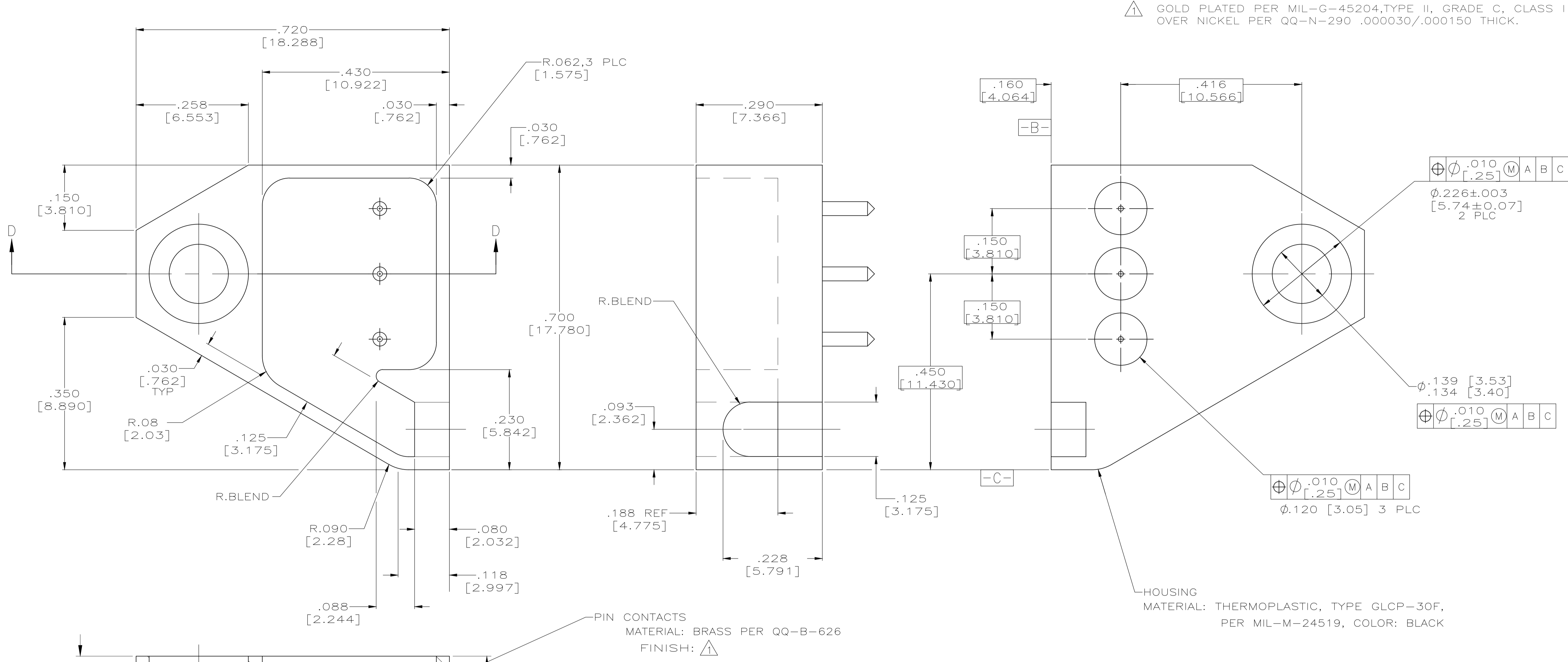


REVISIONS					
P	LTR	DESCRIPTION	DATE	DMN	APVD
D	REV PER ECO	18-015726	10-5-18	CT	DM



$\phi .030$ [0.762] M A B C
$\phi .005$ [0.127] M A

447589-1
PART NO

THIS DRAWING IS A CONTROLLED DOCUMENT.		DIN 9-19-91	D.E. STAHL	
DIMENSIONS: INCHES		02-18-92	J.P. SCHOLZ	
TOLERANCES UNLESS OTHERWISE SPECIFIED:		02-18-92	J.P. SCHOLZ	
0 PLC ± -		NAME	FUZE SYSTEM CONNECTOR, TWISTED PAIR	
1 PLC ± -		APPLICATION SPEC	-	
2 PLC ± .01 [0.3]		SIZE	A1	
3 PLC ± .005 [0.13]		CAGE CODE	00779	
4 PLC ± -		DRAWING NO	C=447589	
ANGLES ± -		RESTRICTED TO	-	
MATERIAL SEE CALLOUT	FINISH SEE CALLOUT	WEIGHT	0.000000	
CUSTOMER DRAWING		SCALE	8:1	
		SHEET	1 OF 1	
		REV	D	