

4

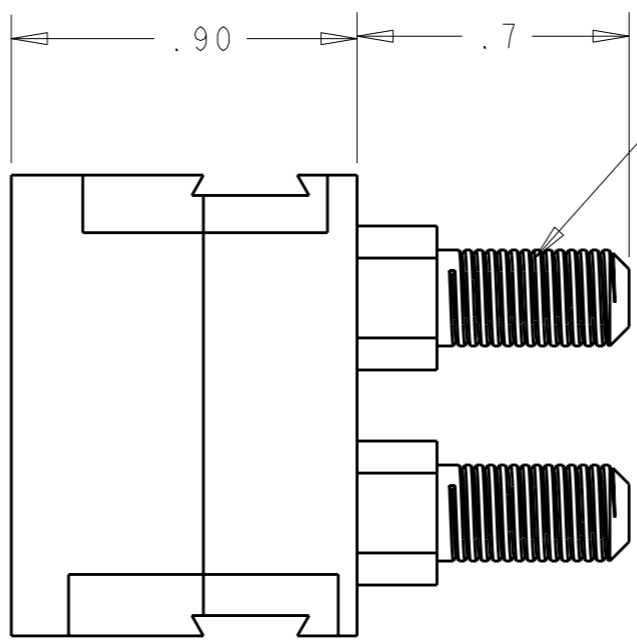
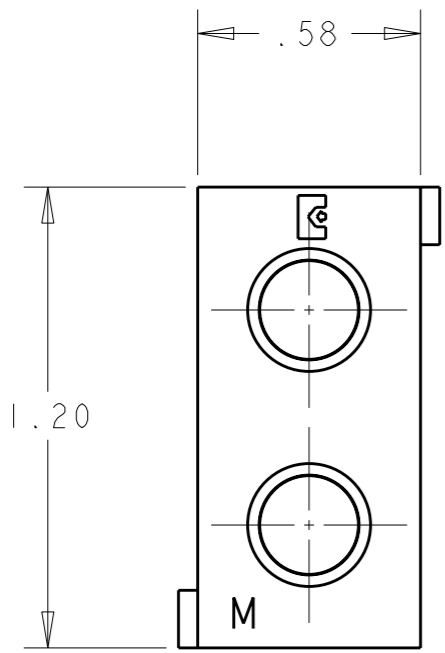
3

2

1

THIS DRAWING IS UNPUBLISHED. RELEASED FOR PUBLICATION 20  
© COPYRIGHT 20 BY TYCO ELECTRONICS CORPORATION. ALL RIGHTS RESERVED.

LOC	DIST	REVISIONS				
P	LTR	DESCRIPTION	DATE	DWN	APVD	
GP	00	A	NEW RELEASE	14DEC2007	RG	DO



- PART NUMBER CHANGES AND/OR DESIGN CHANGES AFFECTING ITEM INTERCHANGEABILITY REQUIRE PRIOR TYCO ELECTRONICS APPROVAL AND AUTHORIZATION BY REVISION TO THIS DRAWING.
- ITEMS PROVIDED TO THIS SPECIFICATION TO BE PERMANENTLY IDENTIFIED ON THE CONTAINER PER THE FOLLOWING IDENTIFIER:

TYCO ELECTRONICS P/N  
 \_\_\_\_\_  
 XXXXXXXX-X

YEAR \_\_\_\_\_ WEEK \_\_\_\_\_  
 DATE CODE (e.g. 0212)  
 \_\_\_\_\_

AS SHOWN	6648454-1
DESCRIPTION	PART NO.

<small>THIS DRAWING IS A CONTROLLED DOCUMENT FOR TYCO ELECTRONICS CORPORATION          IT IS SUBJECT TO CHANGE AND THE CONTROLLING ENGINEERING ORGANIZATION          SHOULD BE CONTACTED FOR THE LATEST REVISION.</small>		DWN 14DEC2007 R. GRZYBOWSKI CHK 14DEC2007 D. ORRIS APVD 14DEC2007 S. FLICKINGER	Tyco Electronics Harrisburg, PA 17105-3608
DIMENSIONS: INCHES 	TOLERANCES UNLESS OTHERWISE SPECIFIED: 0 PLC ±- 1 PLC ±.02 2 PLC ±.01 3 PLC ±- 4 PLC ±- ANGLES ±-	NAME M MODULE SOCKET ASSY HOUSING SNAP-IN STYLE	SIZE CAGE CODE DRAWING NO RESTRICTED TO A300779 C-6648454 -
MATERIAL -	FINISH -	WEIGHT -	CUSTOMER DRAWING SCALE 2:1 SHEET 1 OF 1 REV A

**ELCON** **DOMINO**