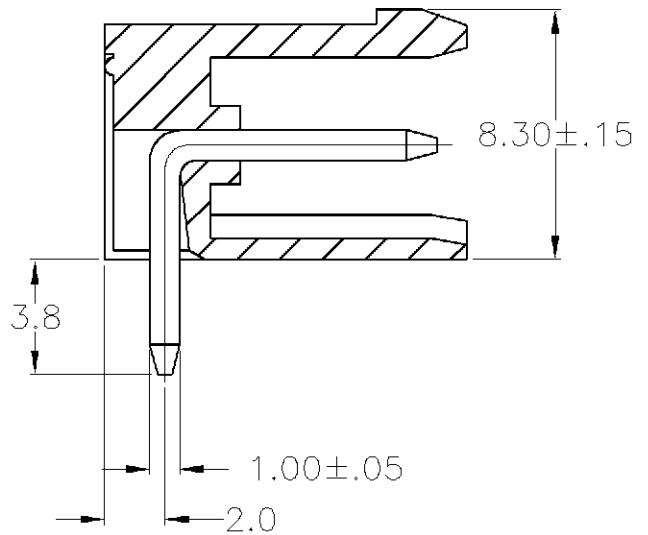
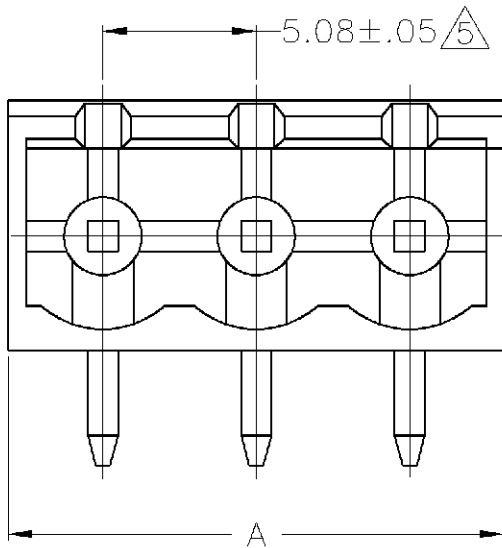


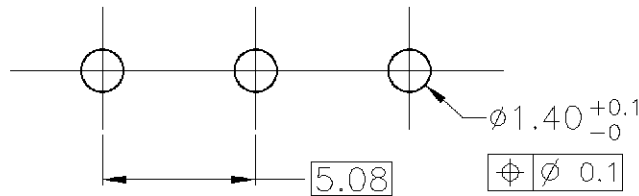
LOC FT	DIST 0	REVISIONS			
P	LTR	DESCRIPTION	DATE	DWN	APVD
	A	RELEASED	06SEP2001	EZ	SY

NOTES:

1. MATERIALS AND FINISH  
HOUSING PBT, UL 94-V0, GREEN  
TERMINAL: BRASS, TIN PLATED
2. RATINGS: 12A, 300V
3. SUITABLE FOR 1.6 - 2.4 mm PC BOARD THICKNESS
4. UL RECOGNITION & CSA CERTIFICATION PENDING
5. NOT CUMULATIVE TOLERANCE



RECOMMENDED PC BOARD LAYOUT



1546097-3	3	16.44
PART No	No POS.	DIMENSION A

THIS DRAWING IS UNPUBLISHED.

ALL RIGHTS RESERVED. BY TYCO ELECTRONICS CORPORATION. COPYRIGHT

DIMENSIONS: MM	DWN E. ZANOLINI	06SEP2001	MATERIAL -	FINISH -		
	CHK S. YODER	06SEP2001	<b>BUCHANAN</b> Tyco Electronics Corporation City, State, Zip			
TOLERANCES UNLESS OTHERWISE SPECIFIED:	APVD S. YODER	06SEP2001			NAME 5.08mm HORIZONTAL SHROUDED CLOSED END HEADER, SPECIAL DIMENSIONS	
0 PLC ± -	PRODUCT SPEC -		SIZE A4	CAGE CODE 00779	DRAWING NO C-1546097	RESTRICTED TO -
1 PLC ± .2	APPLICATION SPEC -		SCALE NTS		SHEET 1	OF 1
2 PLC ± .25	WEIGHT -		REV A		CUSTOMER DRAWING	
3 PLC ± -	ANGLES ± -		SCALE NTS		SHEET 1	OF 1
4 PLC ± -	ANGLES ± -		REV A		CUSTOMER DRAWING	