



SPLICE

TE Internal #: 140723-2

Splices, Thru Splice / Pigtail Splice, 21 – 15.5 AWG Wire Size, .4 – 1.3 mm² Wire Size, Brass, 0 Serration, Length .334 in [8.5 mm], Reel,

SPLICE

[View on TE.com >](#)

Terminals & Splices > Splices



Wire Size: .4 – 1.3 mm²

Sealable: No

Contact Base Material: Brass

Splice Type: Pigtail Splice, Thru Splice

Features

Product Type Features

Sealable	No
Splice Type	Pigtail Splice, Thru Splice
Compatible With Discrete Wire Type	Solid, Stranded
Wire Insulation Support Retention Type	Non-Insulation Support

Configuration Features

Number of Serrations	0
Compatible With Wire & Cable Type	Discrete Wire

Body Features

Product Weight	.221 g
----------------	--------

Contact Features

Contact Base Material	Brass
Barrel Type	Open

Mechanical Attachment

Wire Insulation Support	Without
-------------------------	---------



Dimensions

Wire Size	.4 – 1.3 mm ²
Terminal Material Thickness	.51 mm[.02 in]
Product Length	8.5 mm[.334 in]

Usage Conditions

Insulation Option	Uninsulated
Operating Temperature Range	-40 – 110 °C[-40 – 230 °F]

Operation/Application

Compatible With Wire Base Material	Copper
------------------------------------	--------

Industry Standards

Government Qualified Splice	No
-----------------------------	----

Packaging Features

Packaging Quantity	20000
Packaging Method	Reel

Product Compliance

[For compliance documentation, visit the product page on TE.com>](#)

EU RoHS Directive 2011/65/EU	Compliant
EU ELV Directive 2000/53/EC	Compliant
China RoHS 2 Directive MIIT Order No 32, 2016	No Restricted Materials Above Threshold
EU REACH Regulation (EC) No. 1907/2006	Current ECHA Candidate List: JUNE 2023 (235) Candidate List Declared Against: JAN 2023 (233) Does not contain REACH SVHC
Halogen Content	Low Halogen - Br, Cl, F, I < 900 ppm per homogenous material. Also BFR/CFR/PVC Free
Solder Process Capability	Not applicable for solder process capability

Product Compliance Disclaimer

This information is provided based on reasonable inquiry of our suppliers and represents our current actual knowledge based on the information they provided. This information is subject to change. The part numbers that TE has identified as EU RoHS compliant have a maximum concentration of 0.1% by weight in homogenous materials for lead, hexavalent chromium, mercury, PBB, PBDE, DBP, BBP, DEHP, DIBP, and 0.01% for cadmium, or qualify for an exemption to these limits as defined in the Annexes of Directive 2011/65/EU (RoHS2). Finished electrical and electronic equipment products will be CE marked as required by Directive 2011/65/EU. Components may not be CE marked. Additionally, the part numbers that TE has identified as EU ELV compliant have a maximum concentration of 0.1% by weight in homogenous materials for lead, hexavalent chromium, and mercury, and 0.01% for cadmium, or qualify for an exemption to these limits

as defined in the Annexes of Directive 2000/53/EC (ELV). Regarding the REACH Regulation, the information TE provides on SVHC in articles for this part number is based on the latest European Chemicals Agency (ECHA) 'Guidance on requirements for substances in articles' posted at this URL: <https://echa.europa.eu/guidance-documents/guidance-on-reach>

Compatible Parts



TE Part # 485043-2
SPLICE 4000-9000 .020 TPBR



TE Part # 63130-3
SPLICE REC. 1500-5000 .020 TPBR



TE Part # 40552
SPLICE 3300 TO 9000 CMA TPBR



TE Part # 160660-2
SPLICE 22-18 AWG .013 TPBR



TE Part # 40868
SPLICE 2500-4700 CMA TPBR



TE Part # 41313
SPLICE 800-2500 CMA TPBR



TE Part # 41996
SPLICE 7400-10000 CMA TPBR



TE Part # 626363-1
SPLICE



TE Part # 968041-1
STOSSVERBINDER



TE Part # 968042-1
BUTT SPLICE STRIP FORM PTP CUSN4

Also in the Series | SPLICE



Crimp Wire Pins, Tabs & Ferrules(1)



Splices(64)

Customers Also Bought



TE Part #1-746610-6
26 DIP PLUG, 100CL, LEAD FREE



TE Part #3-640426-3
03P MTA156 CONN ASSY 18AWG
ORA



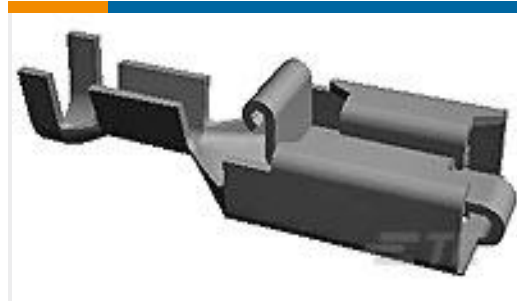
TE Part #3-640426-2
02P MTA156 CONN ASSY 18AWG
ORA



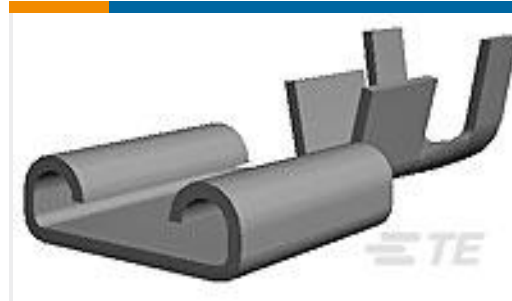
TE Part #3-643817-5
05P MTA156 CONN ASSY 18AWG
ORA



TE Part #2-34150-1
PG R 22-16 COMM 22-18 MIL 1/4



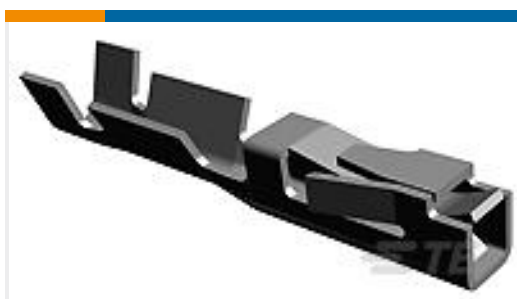
TE Part #63812-1
250 PL MKI REC. 18-14AWG TPBR



TE Part #1-160301-9
250 FASTON,REC.,10-12 AWG,PHBZ



TE Part #61794-1
RING 18-14 AWG TPST



TE Part #166500-2
TANDEM SPRING REC



TE Part #1-964575-8
PCB RAHMEN 8P

Documents

Product Drawings

[SPLICE 22-16 AWG .02 TPBR](#)

English

CAD Files

[3D PDF](#)

3D

Customer View Model

[ENG_CVM_CVM_140723-2_P.2d_dxf.zip](#)

English

Customer View Model

[ENG_CVM_CVM_140723-2_P.3d_igs.zip](#)

English

Customer View Model

[ENG_CVM_CVM_140723-2_P.3d_stp.zip](#)

English

By downloading the CAD file I accept and agree to the [Terms and Conditions](#) of use.

Product Specifications



Application Specification

English