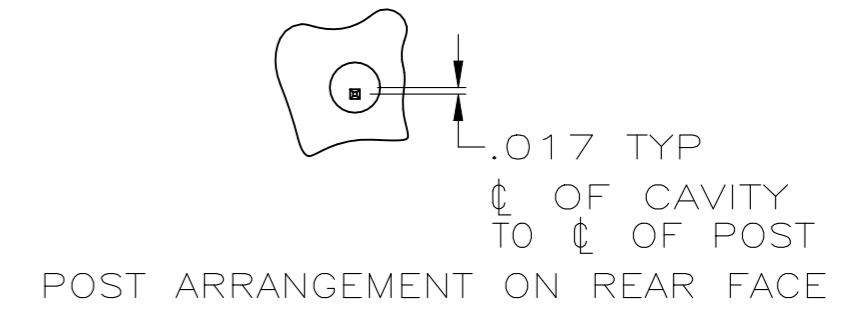
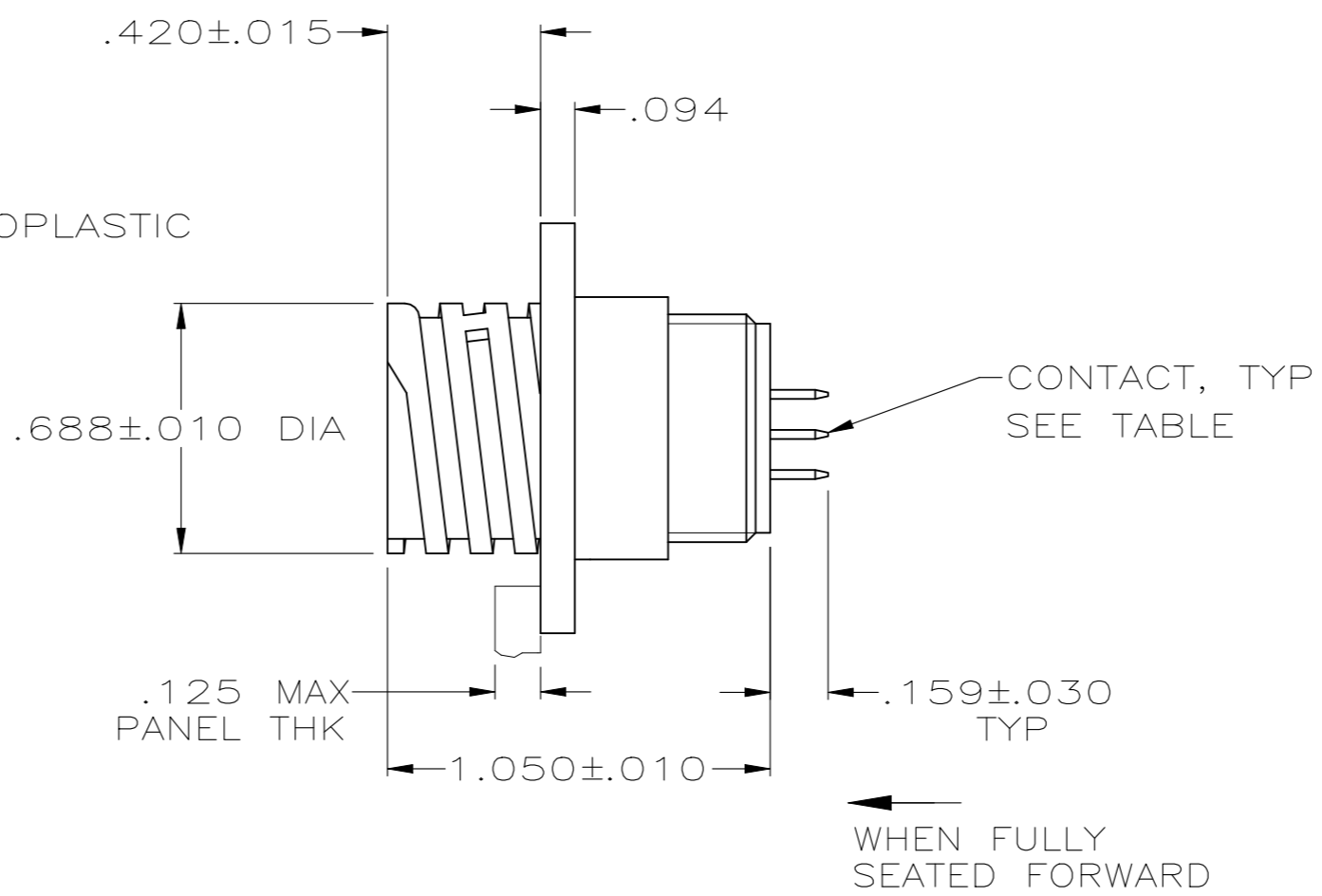
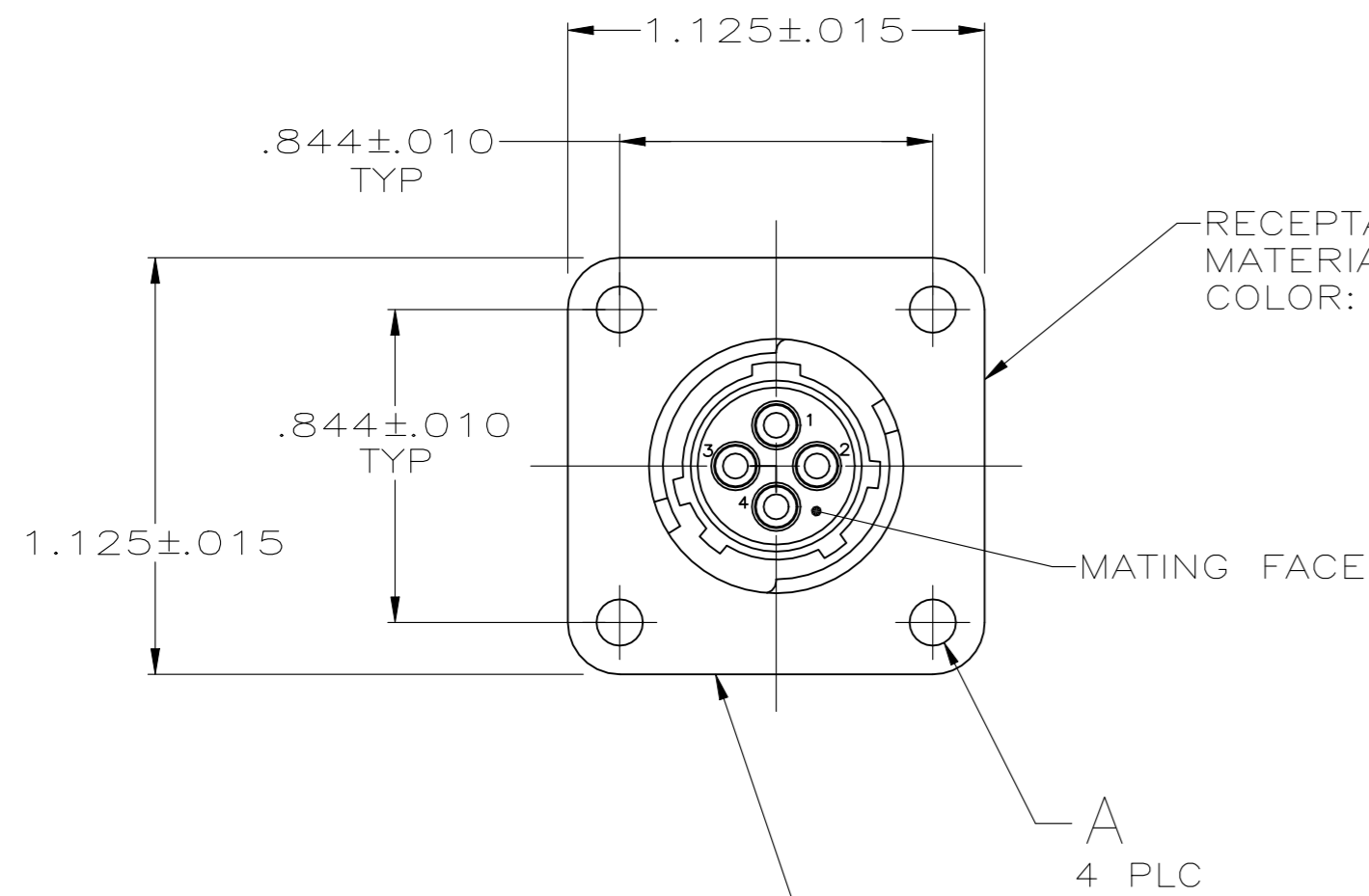
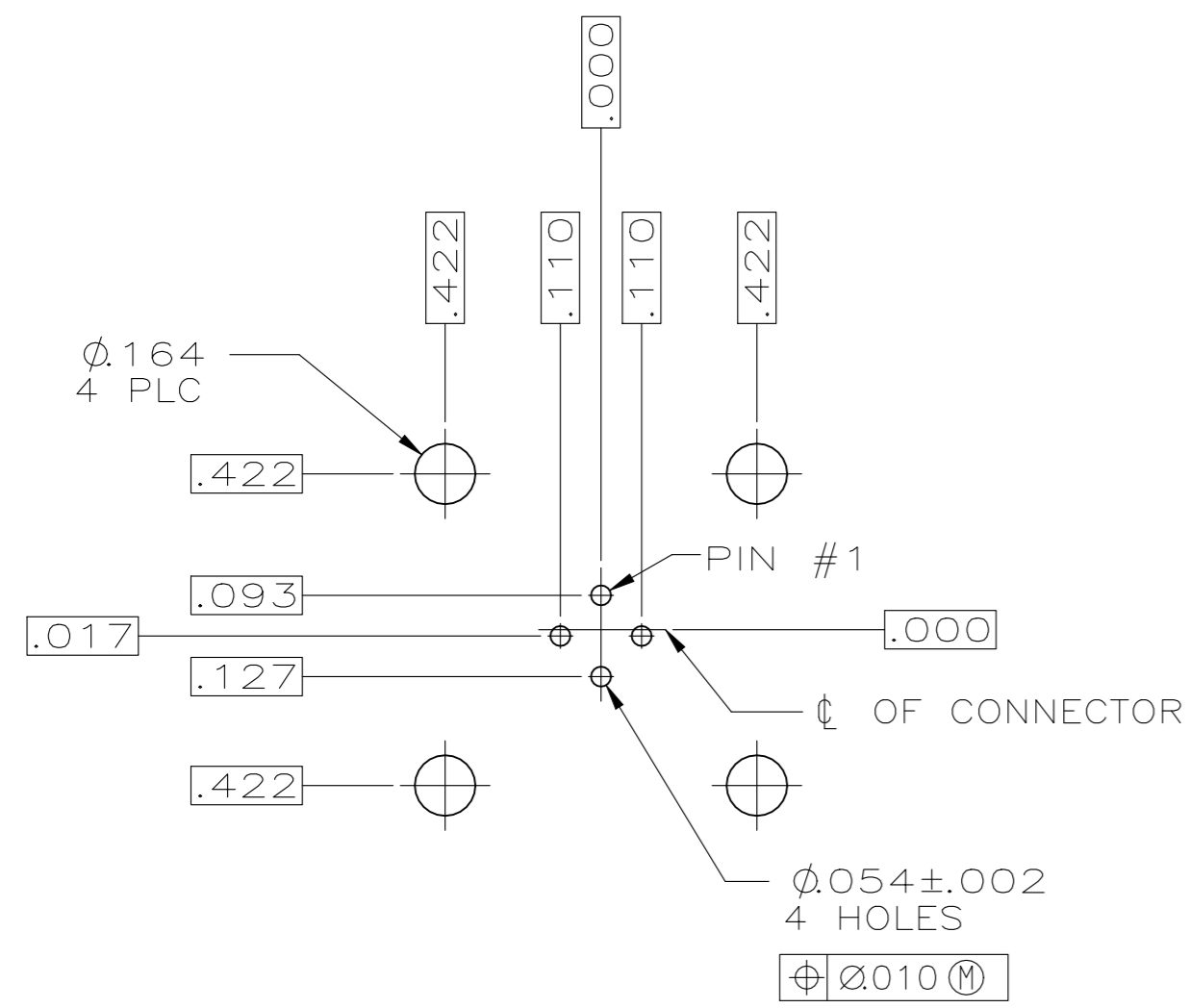


REVISIONS					
P	LTR	DESCRIPTION	DATE	DWN	APVD
M1		REVISED PER ECR-22-150475	26AUG2022	RK	MZ



PART NUMBER AND DATE CODE MARKED ON ANY FLANGE EDGE

- 1 CONTACT BODY: GOLD PLATED PER MIL-G-45204 OVER NICKEL PER QQ-N-290. CONTACT POST: TIN-LEAD PER MIL-T-10727 OVER COPPER PER MIL-C-14550A.
- 2 CONTACT BODY: TIN-LEAD PLATED .000100 MIN. CONTACT POST: TIN-LEAD PLATED .000100 MIN.
- 3 CONTACT BODY: GOLD PLATED OVER NICKEL PER QQ-N-290. CONTACT POST: TIN OVER COPPER.
- 4 PRELIMINARY PART NUMBER.



RECOMMENDED P.C. BOARD LAYOUT

4	OBSOLETE	3	YES	.125 DIA	ALL	208283-8
	OBSOLETE	3	NO	.125 DIA	1,2,3	<del>208283-7</del>
	OBSOLETE	3	NO	4-40UNC, INSERT, BRASS	1,3,4	208283-6
	OBSOLETE	2	NO	.125 DIA	ALL	<del>208283-5</del>
		3	NO	.125 DIA	ALL	208283-4
4	OBSOLETE	1	YES	.125 DIA	ALL	208283-3
	OBSOLETE	1	NO	4-40UNC, INSERT, BRASS	1,3,4	208283-2
	OBSOLETE	1	NO	.125 DIA	ALL	208283-1

FINISH	PERIPHERAL SEAL	A	CONTACTS LOADED AT POSITION	PART NUMBER
THIS DRAWING IS A CONTROLLED DOCUMENT.				
DIMENSIONS: INCHES		TOLERANCES UNLESS OTHERWISE SPECIFIED:		
		0 PLC ± -	1 PLC ± -	2 PLC ± -
		3 PLC ± .005	4 PLC ± -	ANGLES ± -
MATERIAL		FINISH		
DWN R.LEE BG 6-22-91		CHK W.G.LENKER 4-14-92		APVD -
PRODUCT SPEC 108-10024		APPLICATION SPEC -		NAME -
WEIGHT -		SIZE A2		CAGE CODE 00779
CUSTOMER DRAWING		DRAWING NO C=208283		RESTRICTED TO -
SCALE 1:1		SHEET 1 OF 1		REV M1