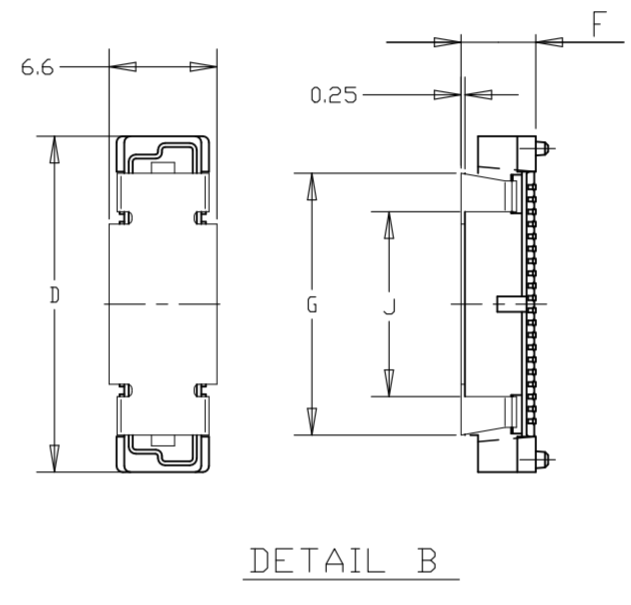
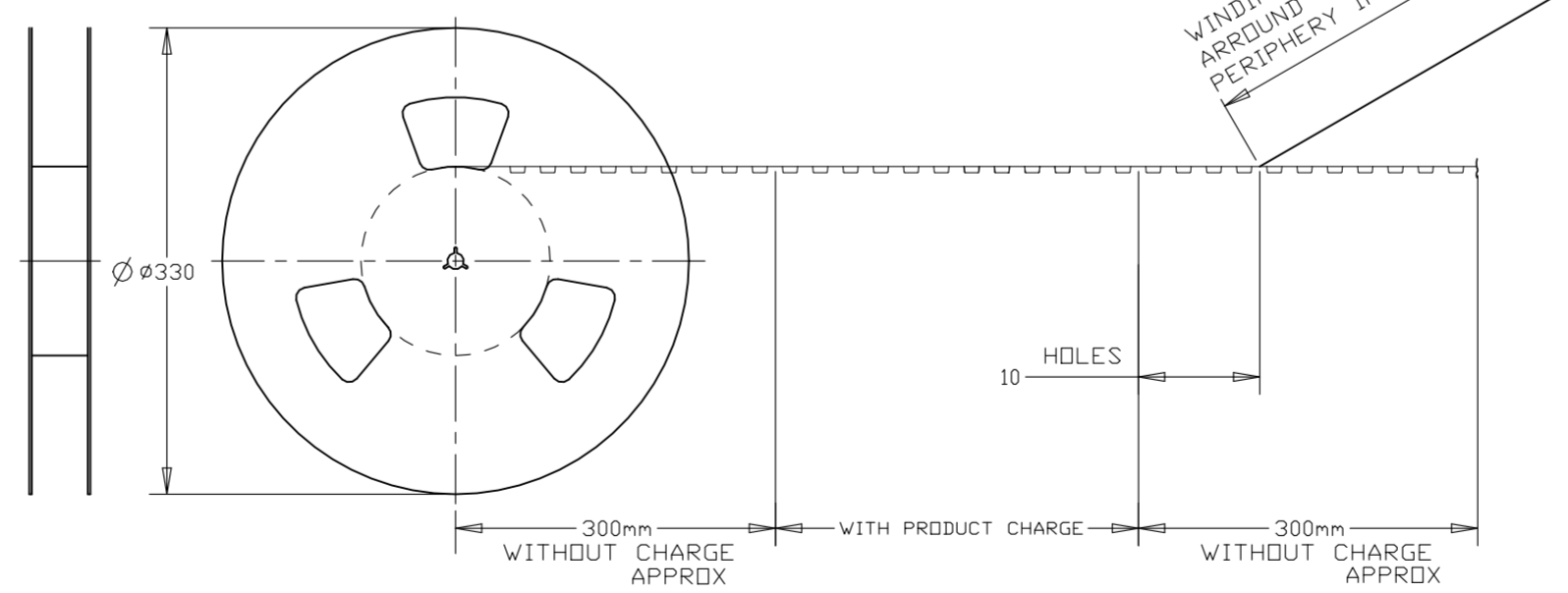
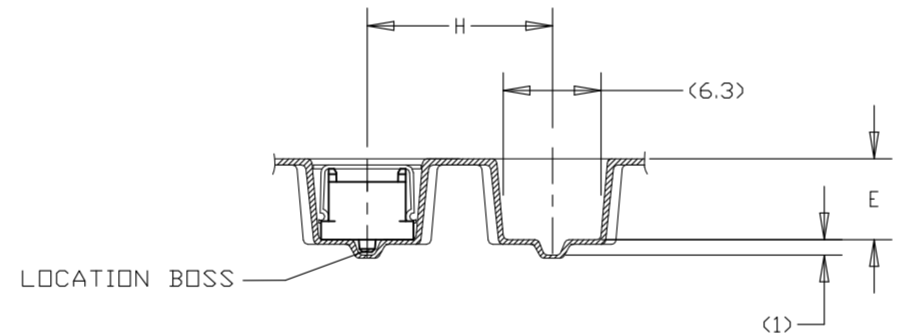
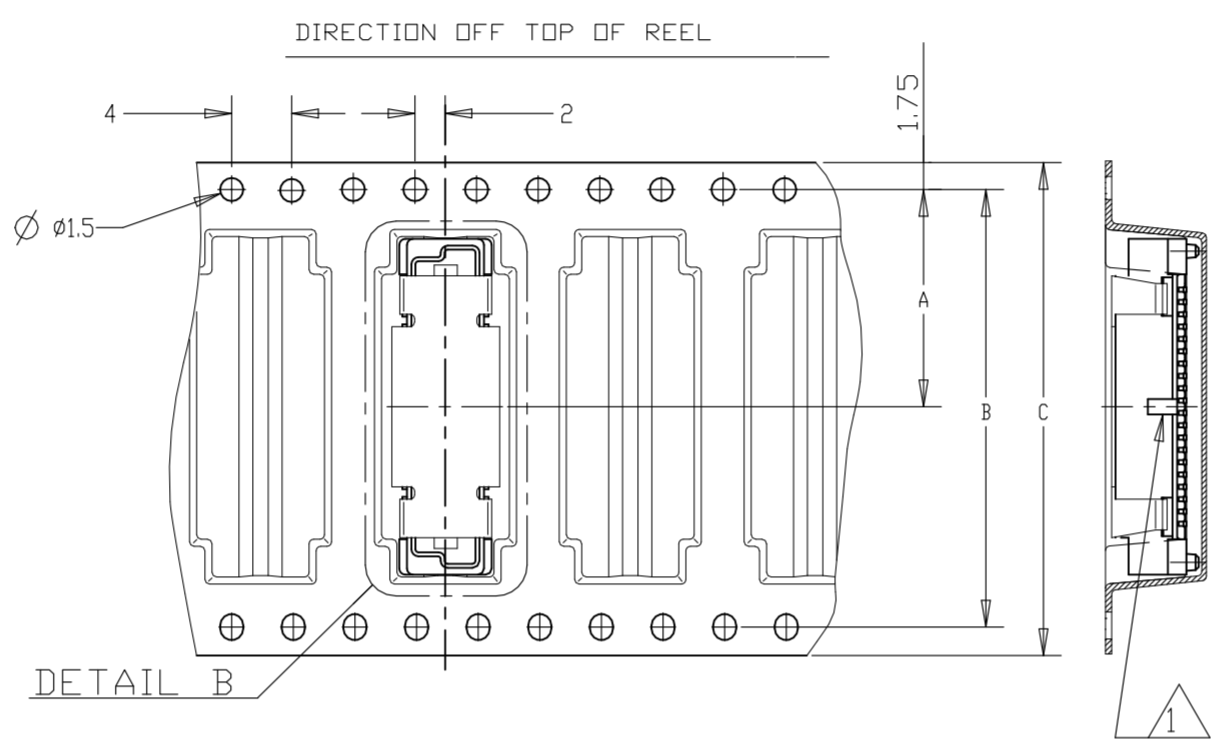


- Notes:
- 1 CUTOUT FEATURE AVAILABLE ONLY ON 5H ASSY P/N -1 (40P) AND -2 (60P).
  - 2 0.00038 MIN GOLD PLATING (15u INCHES GOLD PLATING)
  - 3 CONNECTOR DIMENSIONS REFERENCED FROM DRAWING WHICH CONN. P/Ns BASED
  - 4 CONNECTOR WITH BLACK HOUSING
  - 5 MATERIAL: HOUSING: L.C.P UL 94-V0. COLOR: NATURAL EXCEPT FOR NOTE 4 CONTACT: BRASS

LOW HALOGEN

STEEL COVER

REMARKS	QTY	HEIGHT TYPE	Y	X	J	H	G	F	E	D	C	B	A	POS	SALEABLE PART NO.
50u Au	900	5H	1.2	4.6	12	12	17	4.85	5.25	29.8	44	40.4	20.2	60	5177986-7
	450				16					61.8	88	84.4	42.2	140	7- -6
	700	7H	3.6	6.6	12		6.85	7.25	21.8	32	28.4	14.2	40	7-5177986-1	
	550				16					69.8	88	84.4	42.2	140	6- -8
	800	6H	2.6	5.6	12		5.85	6.25	21.8	32	28.4	14.2	40	6-5177986-1	
	650				16					61.8	88	84.4	42.2	140	5- -8
	900	5H	1.2	4.6	12	17	4.85	5.25	21.8	32	28.4	14.2	40	5-5177986-1	
	550	6H	2.6	5.6	12	16	5.85	6.25	69.8	88	84.4	42.2	160	9-5177986-8	
	550	6H	2.6	5.6	12	16	5.85	6.25	53.8	72	68.4	34.2	120	9-5177986-5	
	550	6H	2.6	5.6	12	16	5.85	6.25	61.8	88	84.4	42.2	140	9-5177986-2	
	800	6H	2.6	5.6	12	12	5.85	6.25	37.8	56	52.4	26.2	80	9-5177986-1	
15u Au	900	5H	1.2	4.6	12	17	4.85	5.25	37.8	56	52.4	26.2	80	8-5177986-3	
	450	7H	3.6	6.6	12	16	6.85	7.25	53.8	72	68.4	34.2	120	4-5177986-5	
	400				16					85.8	104	100.4	50.2	200	4- -0
	600	8H	4.6	7.6	12		7.85	8.25	21.8	32	28.4	14.2	40	3-5177986-1	
	450				16					69.8	88	84.4	42.2	140	2- -9
	700	7H	3.6	6.6	12		6.85	7.25	21.8	32	28.4	14.2	40	2-5177986-0	
	500				16					61.8	88	84.4	42.2	140	1- -6
	550				16					53.8	88	84.4	42.2	120	1- -5
	800	6H	2.6	5.6	12		5.85	6.25	21.8	32	28.4	14.2	40	1-5177986-1	
	650				16					61.8	88	84.4	42.2	140	1- -6
	900	5H	1.2	4.6	12	17	4.85	5.25	21.8	32	28.4	14.2	40	5177986-1	



REVISIONS					
P	LTR	DESCRIPTION	DATE	DWN	APVD
F10		REVISED PER ECN-23-219854	30JULY2023	A.L	H.L

PRELIMINARY

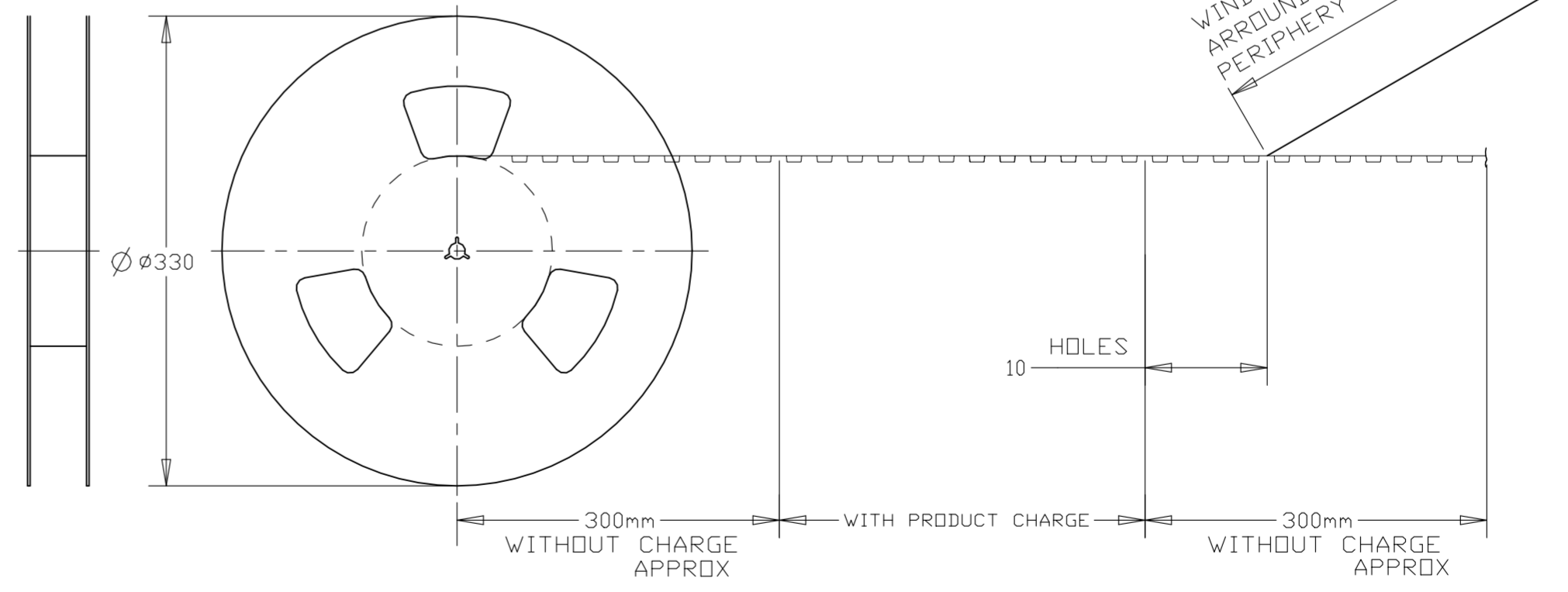
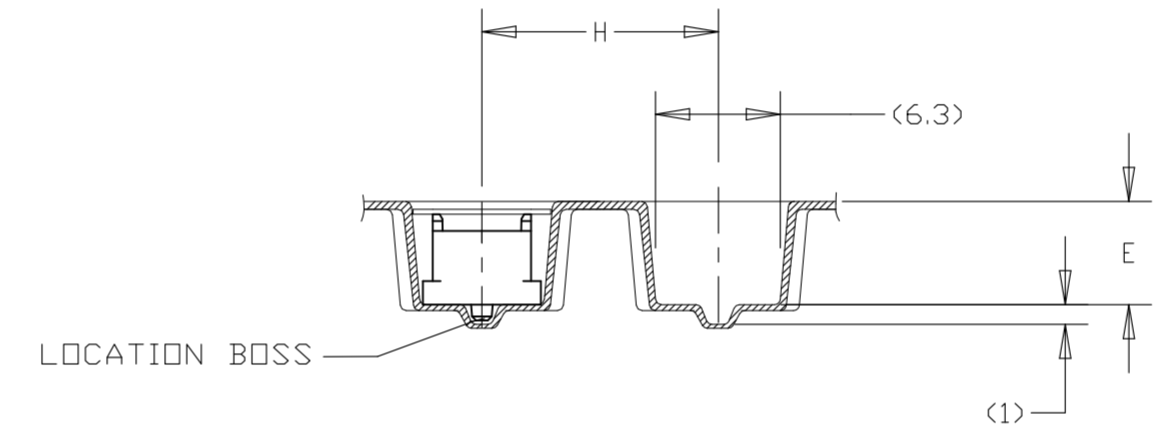
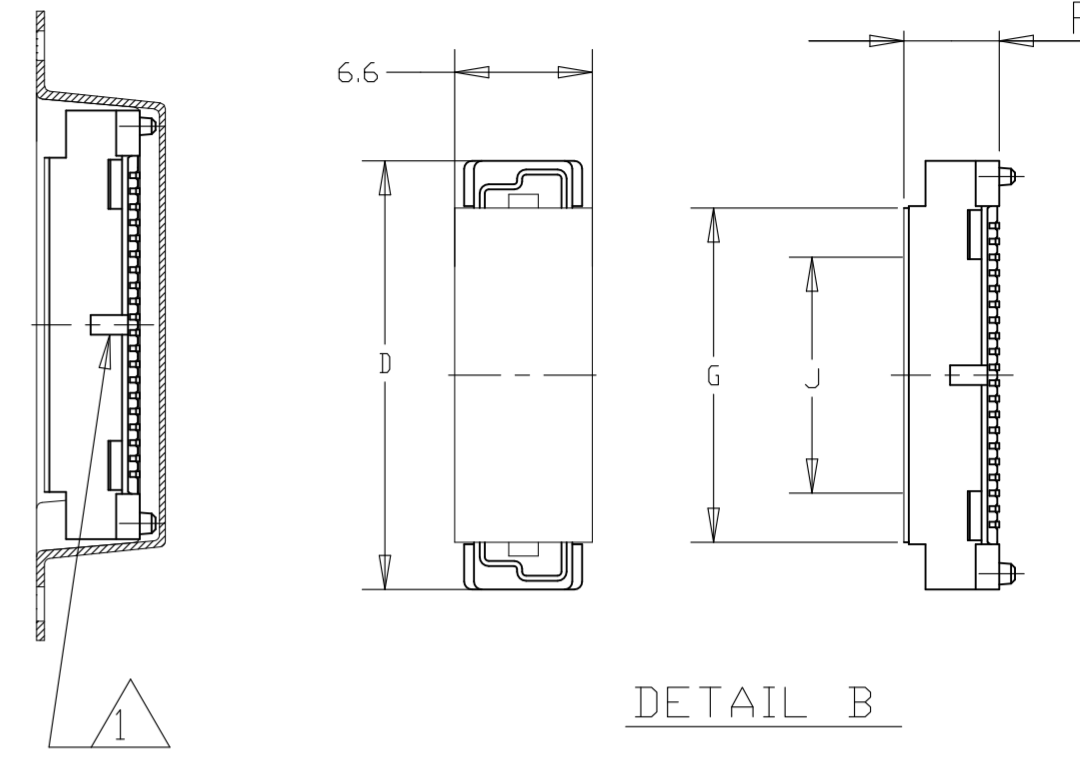
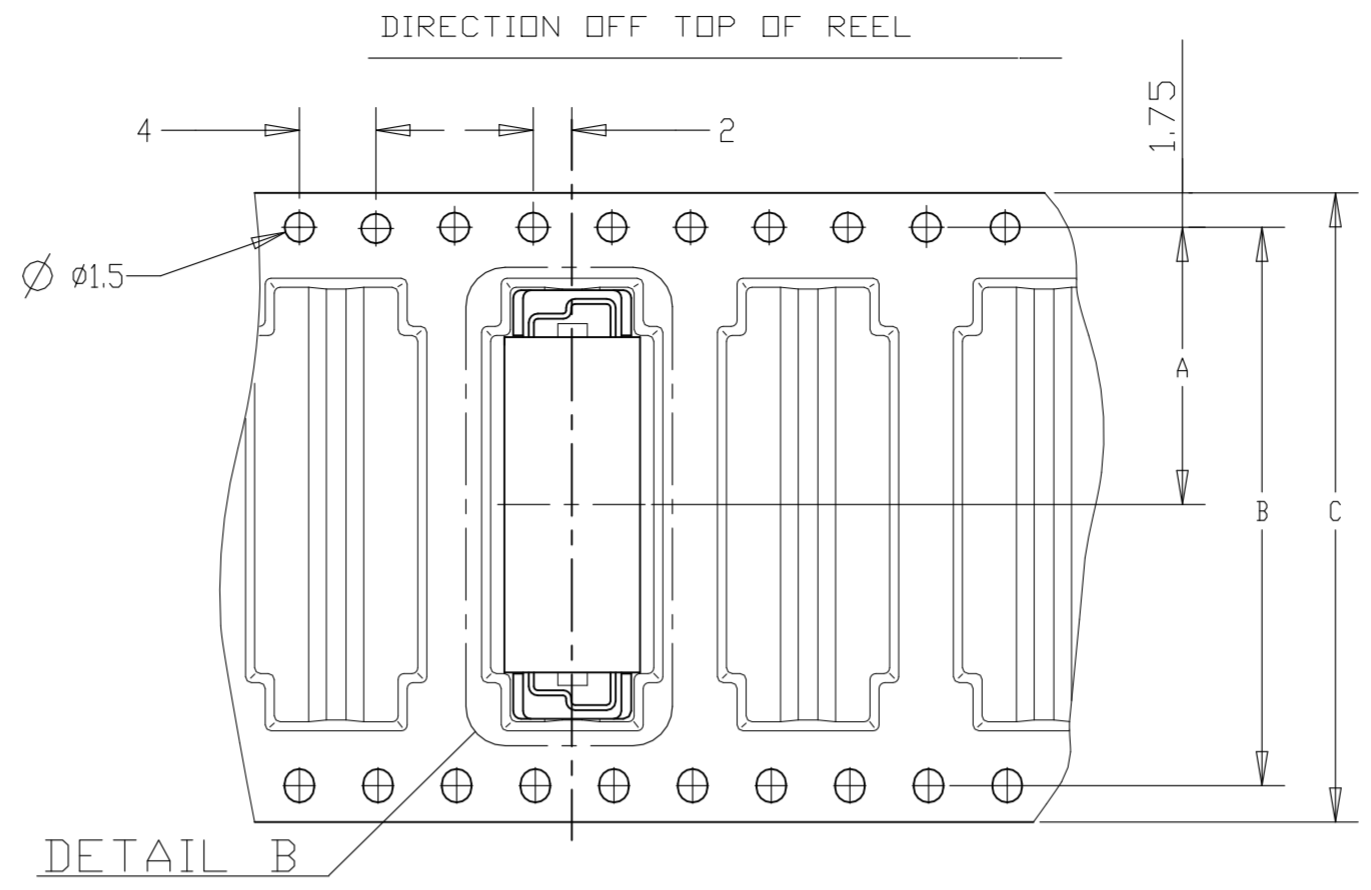
THIS DRAWING IS A CONTROLLED DOCUMENT.

DWN: FLORENCE TAN	30AUG2004	TE Connectivity Ltd.
CHK: ERIC TNG	30MAY2012	
APVD: SE LEONG	30MAY2012	NAME
PRODUCT SPEC		PLUG ASSEMBLY, FH 0.8
APPLICATION SPEC		ON TAPING (EMBOSS) 0.5 BOSS LENGTH
SIZE: A2	CAGE CODE: 00779	DRAWING NO: 5177986
RESTRICTED TO:	CUSTOMER DRAWING	
SCALE: 1:1	SHEET: 1 of 5	REV: F10

REVISIONS					
P	LTR	DESCRIPTION	DATE	DWN	APVD
-	-	SEE SHEET 1	-	-	-

LOW HALOGEN  
POLYIMIDE COVER

Notes:  
6 0.0002 MIN GOLD PLATING  
(7.8u INCHES GOLD PLATING)



WINDING THE COVER TAPE  
AROUND THE OUTER  
PERIPHERY IN A TURN.

800	6H	2.6	5.6	12	12	17	5.85	6.25	37.8	56	52.4	26.2	80	9-5177986-3	
650	5H	1.2	4.6	12	16	17	4.85	5.25	61.8	88	84.4	42.2	140	9-5177986-6	
REMARKS	QTY	HEIGHT TYPE	Y	X	J	H	G	F	E	D	C	B	A	POS	SALEABLE PART NO.

THIS DRAWING IS A CONTROLLED DOCUMENT.

DWN	FLORENCE TAN	30AUG2004
CHK	ERIC TNG	30MAY2012
APVD	SF LEONG	30MAY2012
PRODUCT SPEC	108-5390	
APPLICATION SPEC		
WEIGHT	-	
CUSTOMER DRAWING		

TE Connectivity Ltd.

PLUG ASSEMBLY, FH 0.8  
ON TAPING (EMBOSS) 0.5 BOSS LENGTH

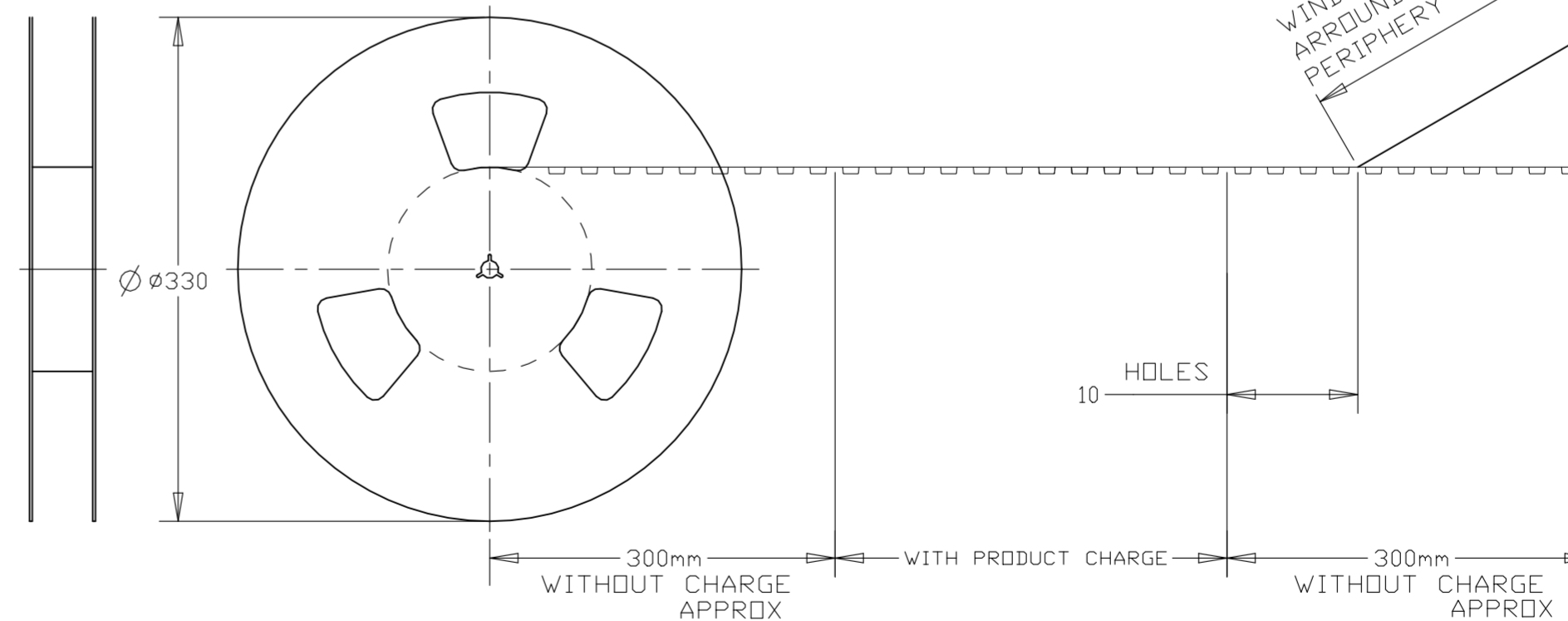
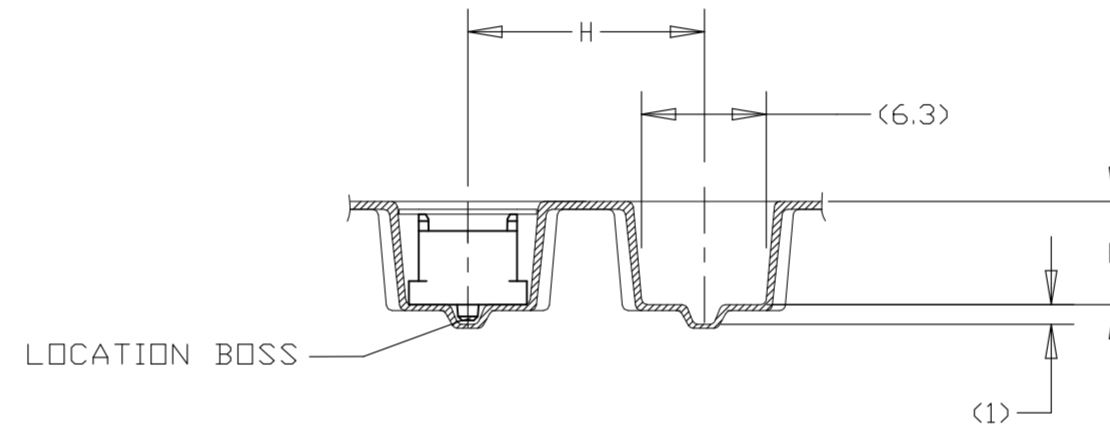
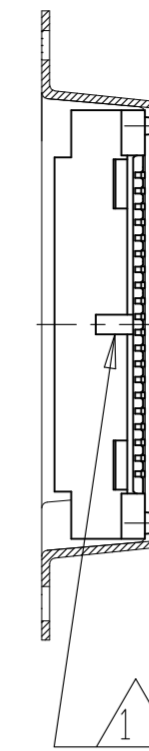
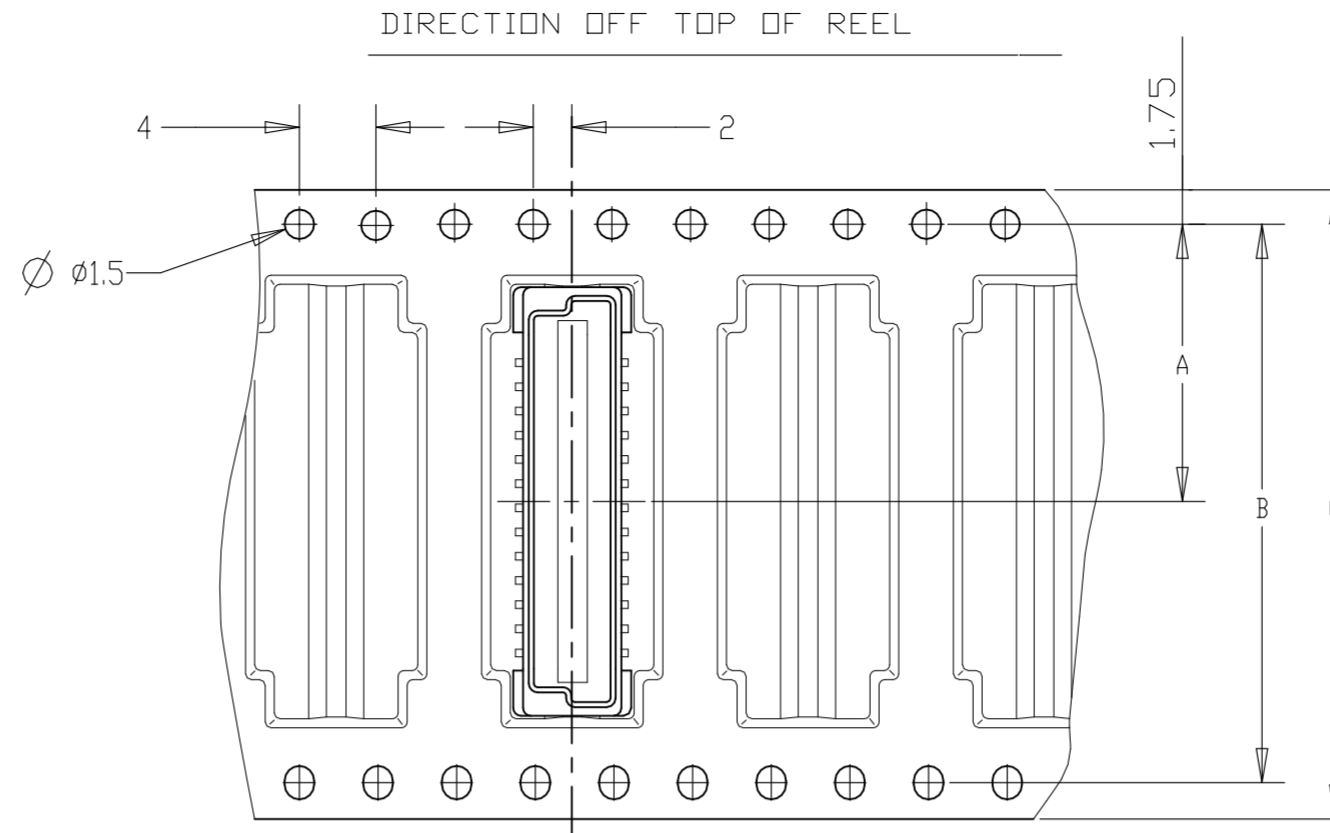
SIZE	A2	CAGE CODE	00779	DRAWING NO	C=5177986	RESTRICTED TO	-
SCALE	1:1	SHEET	2 of 5	REV	F10		

REVISIONS					
P	LTR	DESCRIPTION	DATE	DWN	APVD
-	-	SEE SHEET 1	-	-	-

LOW HALOGEN

WITHOUT COVER

Notes:  
 2 0.00038 MIN GOLD PLATING  
 (15μ INCHES GOLD PLATING)



REMARKS	QTY	HEIGHT TYPE	Y	X	H	E	C	B	A	POS	SALEABLE PART NO.
	650	5H	1.2	4.6	16	5.25	88	84.4	42.2	160	8-5177986-8
	650	5H	1.2	4.6	16	5.25	72	68.4	34.2	120	8-5177986-5

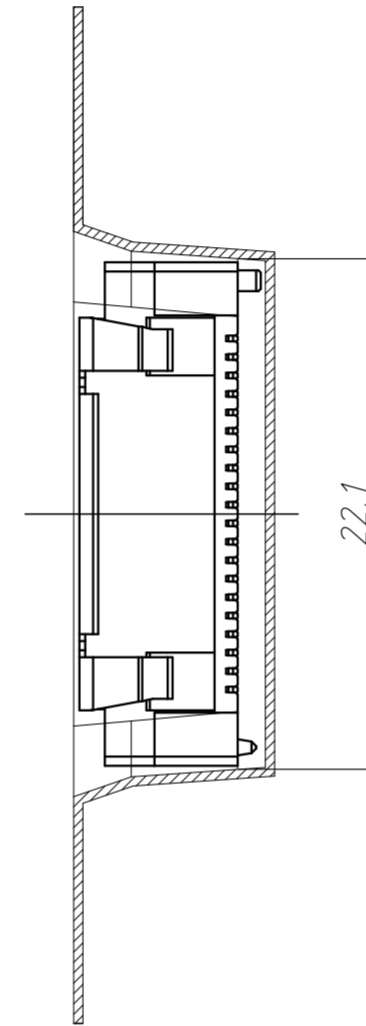
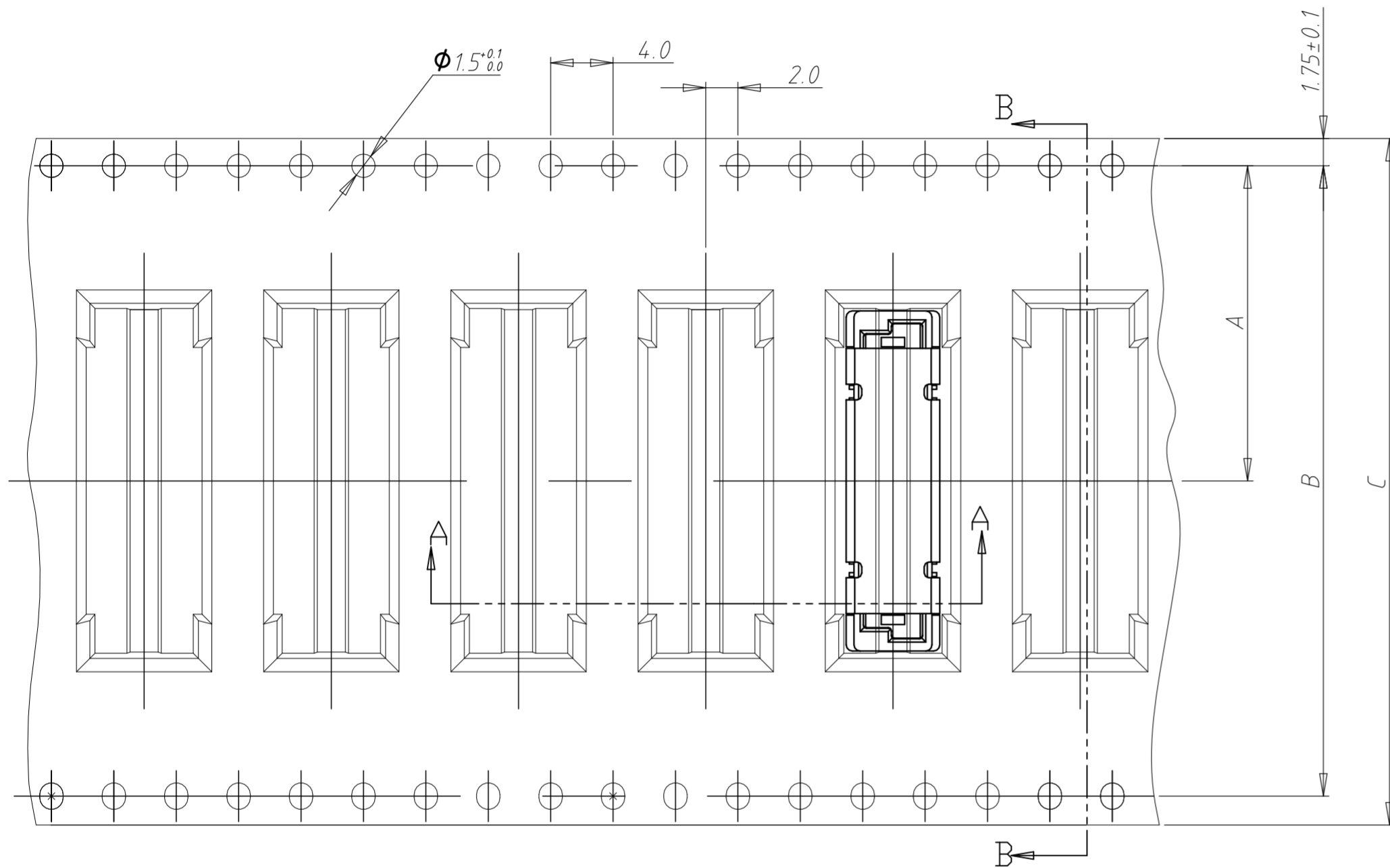
THIS DRAWING IS A CONTROLLED DOCUMENT.

DWN FLORENCE TAN 30AUG2004	TE Connectivity Ltd.
CHK ERIC TNG 30MAY2012	
APVD SF LEONG 30MAY2012	
PRODUCT SPEC 108-5390	
MATERIAL SEE NOTE	NAME PLUG ASSEMBLY, FH 0.8 ON TAPING (EMBOSS) 0.5 BOSS LENGTH
FINISH SEE NOTE	SIZE A2
	CAGE CODE 00779
	DRAWING NO C=5177986
	RESTRICTED TO -
	SCALE 1:1
	SHEET 3 of 5
	REV F10

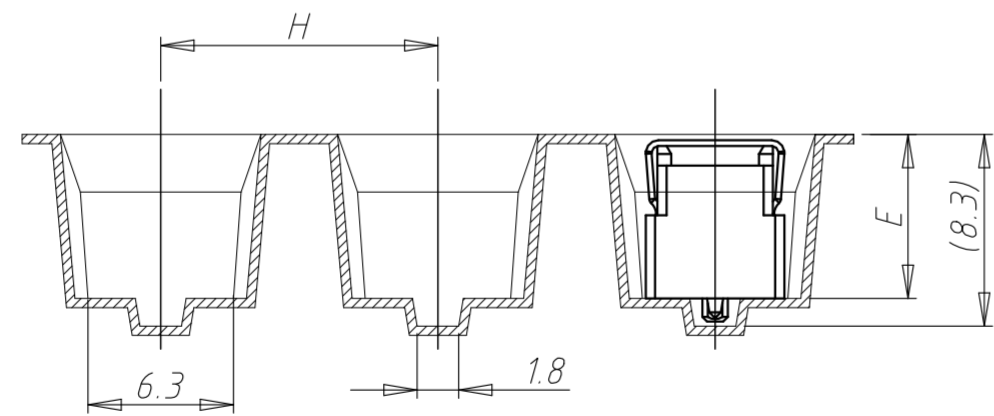
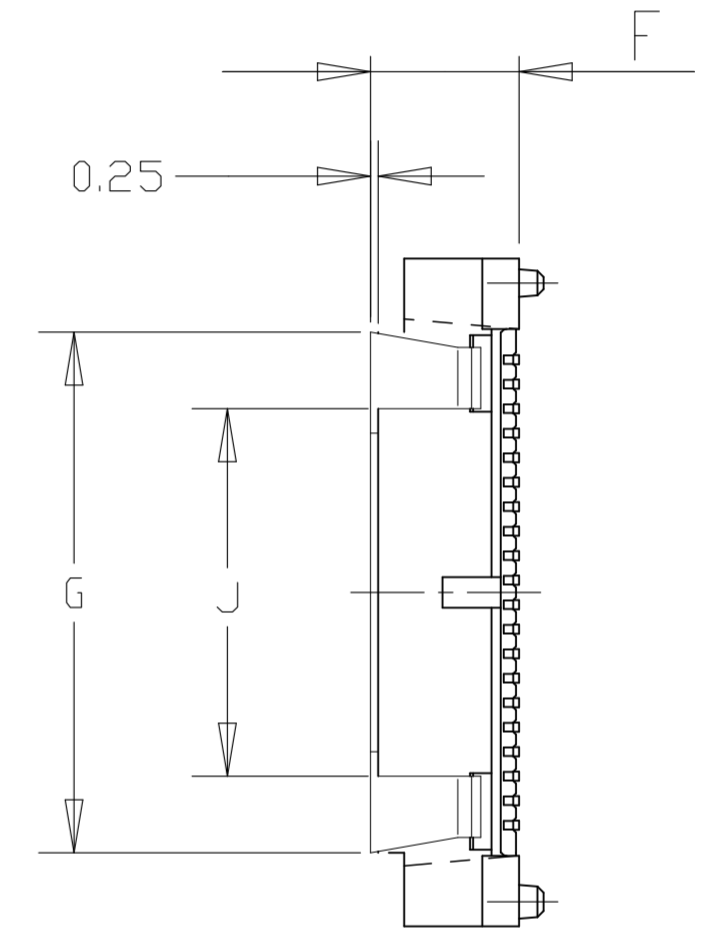
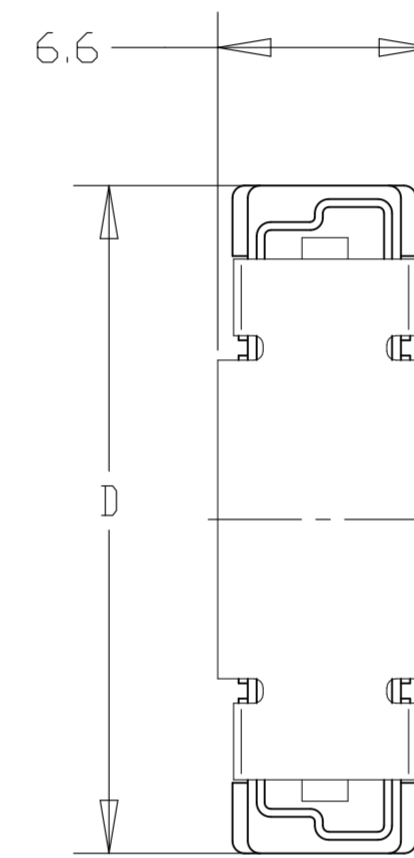
REVISIONS					
P	LTR	DESCRIPTION	DATE	DWN	APVD
-	-	SEE SHEET 1	-	-	-

LOW HALOGEN  
WITH COVER

USER DIRECTION OF UNREELING →



B-B



A-A

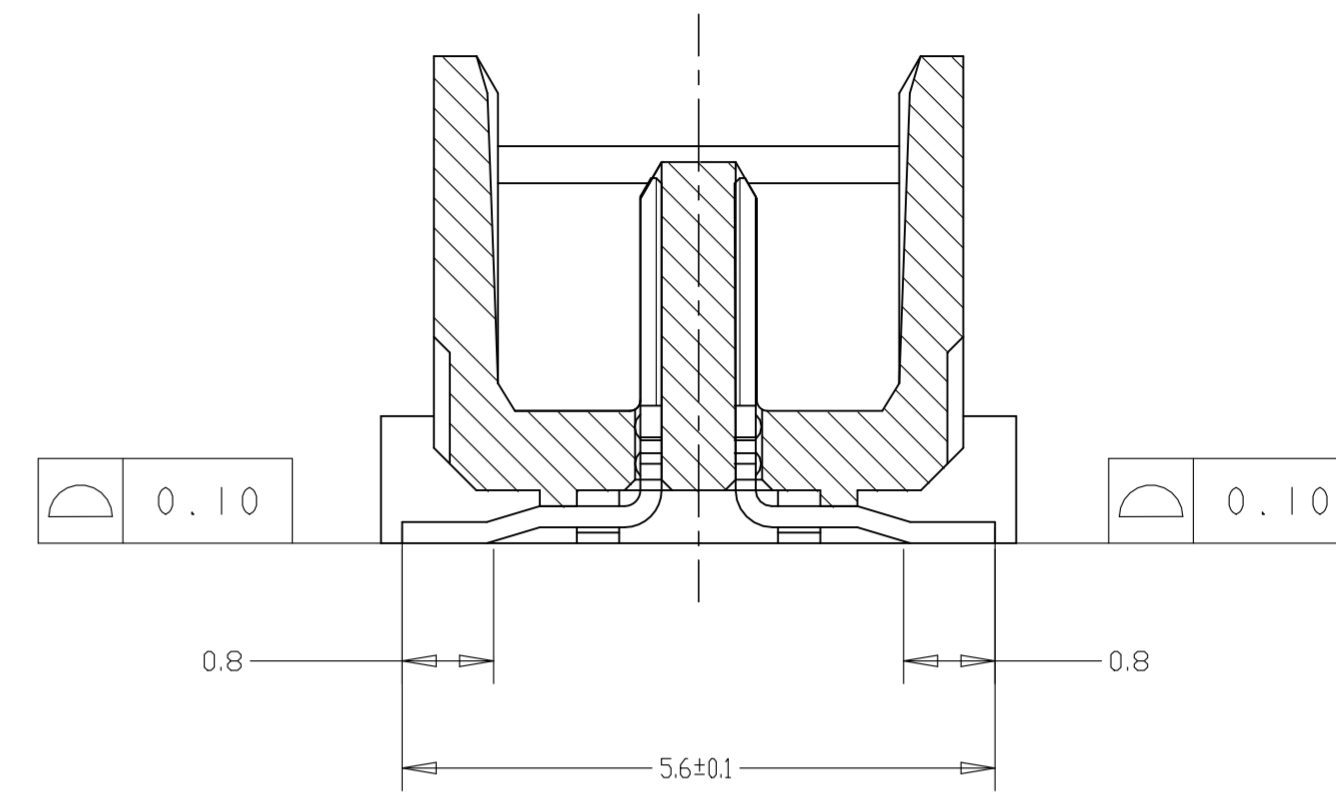
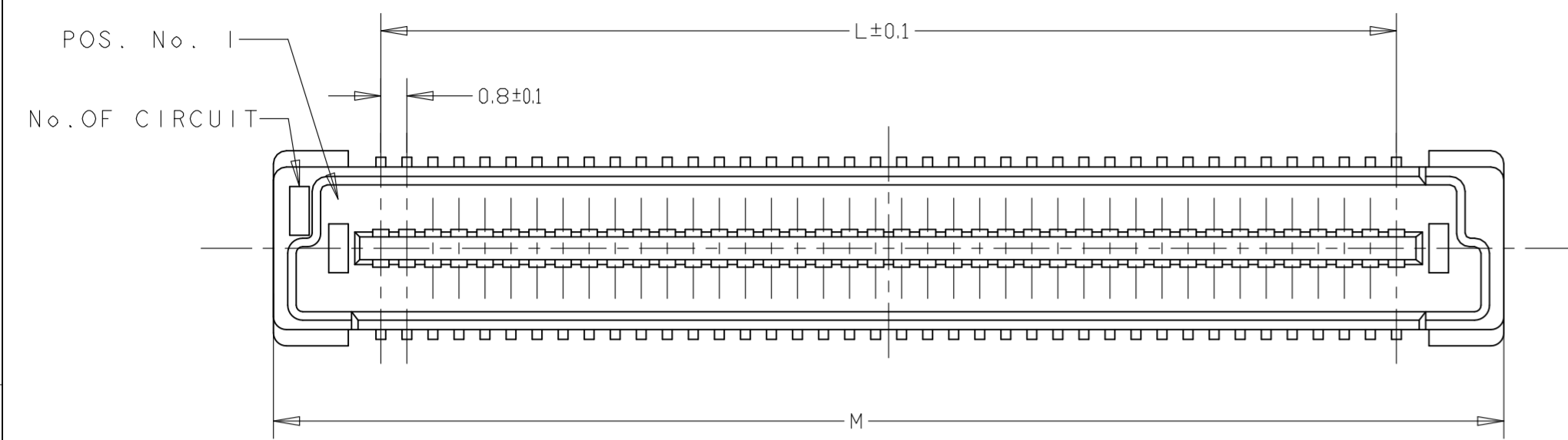
THIS DRAWING IS A CONTROLLED DOCUMENT.		DWN FLORENCE TAN 30AUG2004	TE Connectivity Ltd.	
DIMENSIONS: mm		CHK ERIC TNG 30MAY2012		
TOLERANCES UNLESS OTHERWISE SPECIFIED:		APVD SF LEONG 30MAY2012	NAME PLUG ASSEMBLY, FH 0.8 ON TAPING (EMBOSS) 0.5 BOSS LENGTH	
0 PLC ± - 1 PLC ± 0.2 2 PLC ± 0.15 3 PLC ± 0.1 4 PLC ± - ANGLES ± 3°		PRODUCT SPEC 108-5390	SIZE A2	CAGE CODE 00779
MATERIAL SEE NOTE		FINISH SEE NOTE	DRAWING NO C=5177986	RESTRICTED TO -
		WEIGHT -	SCALE 1:1	SHEET 4 OF 5
		CUSTOMER DRAWING	REV F10	

30u" Au	700	7H	3.6	6.6	12	12	17	6.85	7.1	21.8	44	40.4	20.2	40	7-5177986-7
REMARKS	QTY	HEIGHT TYPE	Y	X	J	H	G	F	E	D	C	B	A	POS	SALEABLE PART NO.

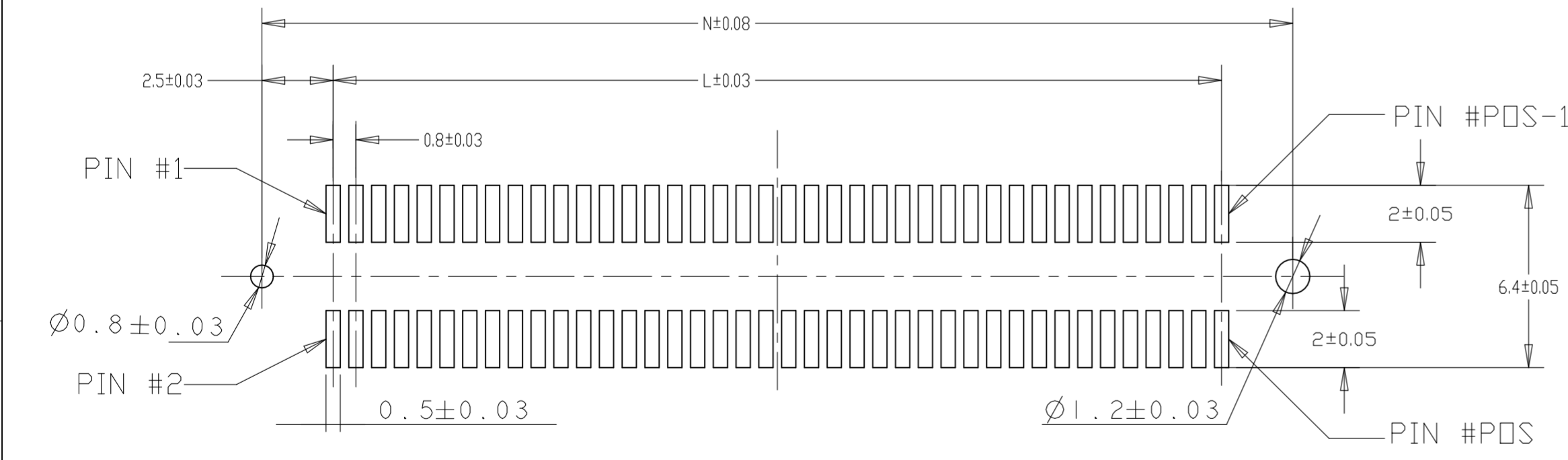
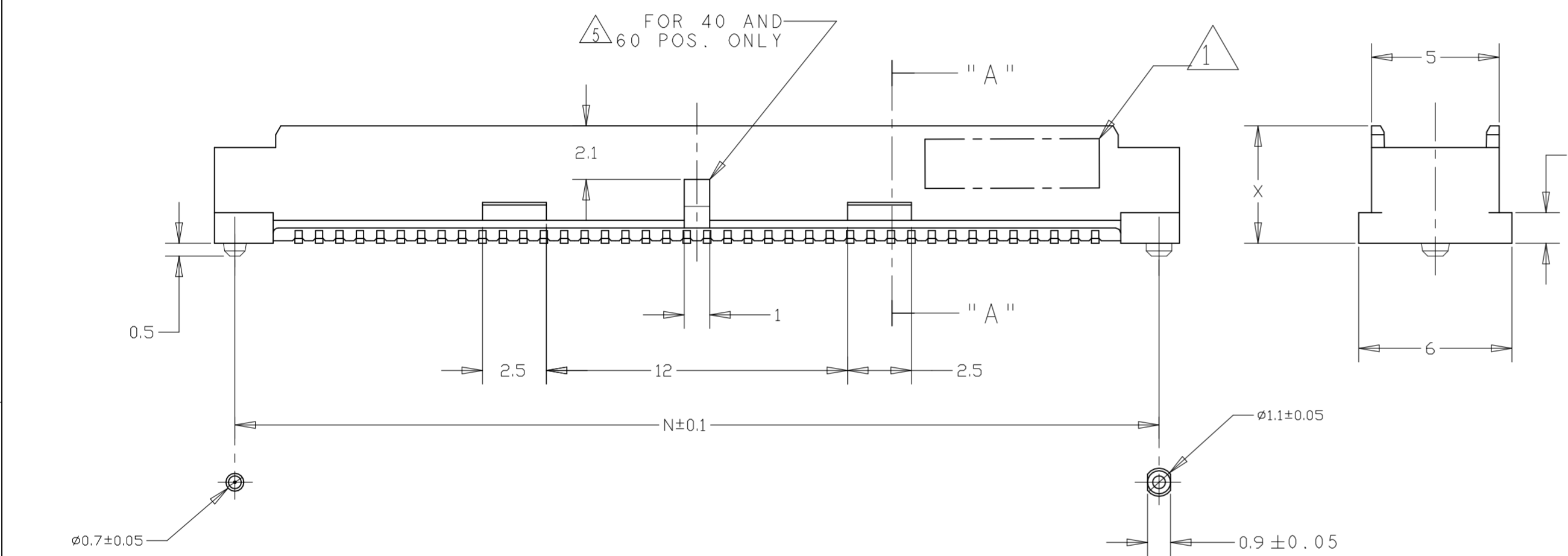
P	LTR	DESCRIPTION	DATE	DWN	APVD
-	-	SEE SHEET 1	-	-	-

LOW HALOGEN

CONNECTOR ONLY



SECT. "A" - "A"



RECOMMENDED P.C. BOARD LAYOUT

84.2	85.8	79.2	200
76.2	77.8	71.2	180
68.2	69.8	63.2	160
60.2	61.8	55.2	140
52.2	53.8	47.2	120
44.2	45.8	39.2	100
36.2	37.8	31.2	80
28.2	29.8	23.2	60
20.2	21.8	15.2	40
N	M	L	POS.

THIS DRAWING IS A CONTROLLED DOCUMENT.		DWN FLORENCE TAN 30AUG2004	TE Connectivity Ltd.		
DIMENSIONS: mm		CHK ERIC TNG 30MAY2012			
TOLERANCES UNLESS OTHERWISE SPECIFIED:		APVD SF LEONG 30MAY2012	NAME PLUG ASSEMBLY, FH 0.8 ON TAPING (EMBOSS) 0.5 BOSS LENGTH		
0 PLC ± - 1 PLC ± 0.2 2 PLC ± 0.15 3 PLC ± 0.1 4 PLC ± - ANGLES ± 3°		PRODUCT SPEC 108-5390	SIZE A2	CAGE CODE 00779	DRAWING NO. C=5177986
MATERIAL SEE NOTE		FINISH SEE NOTE	WEIGHT -	RESTRICTED TO -	SCALE 1:1
		CUSTOMER DRAWING	SHEET 5 of 5	REV F10	