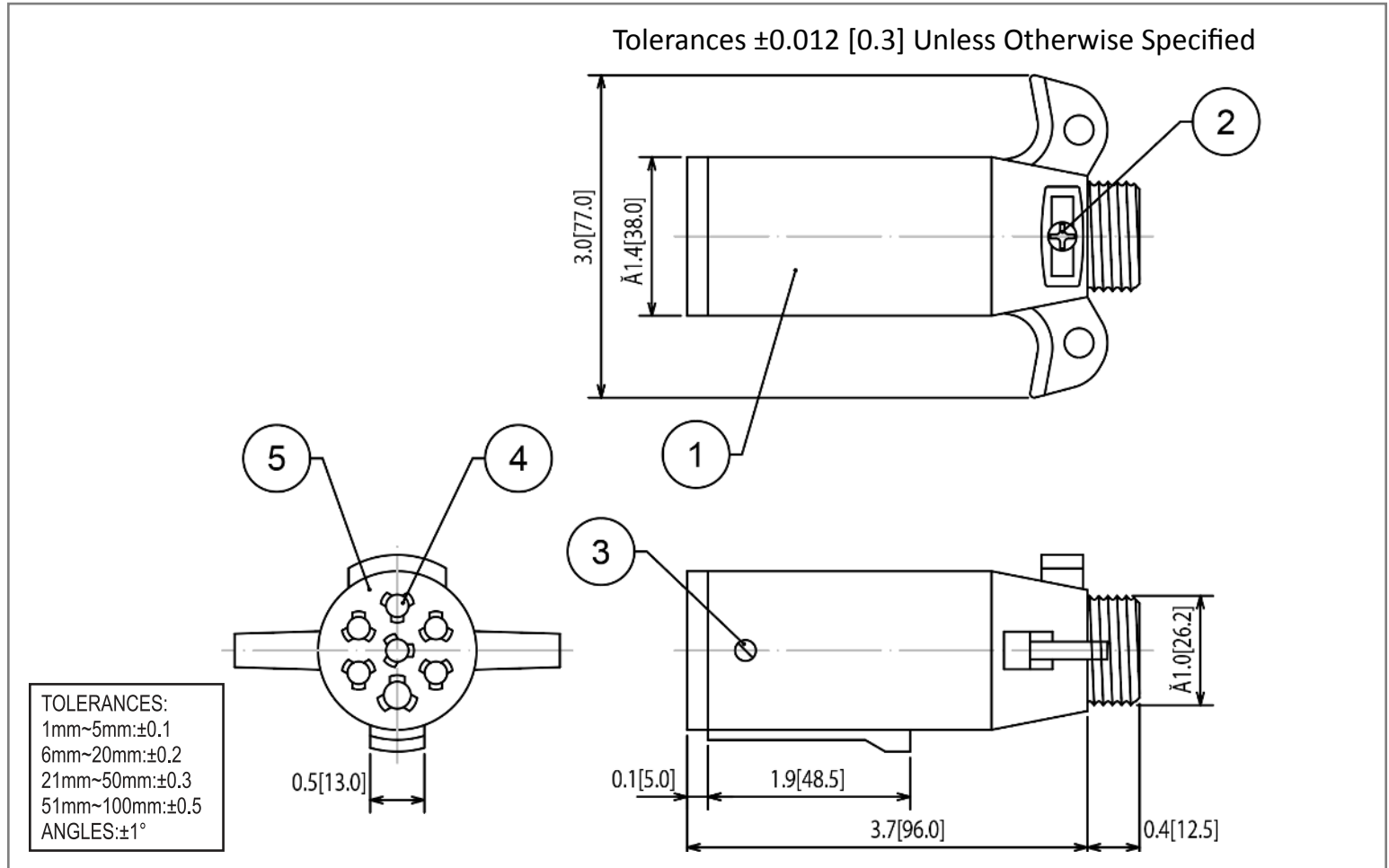


**Mechanical Dimensions: Inches [mm]**



**Wiring Color Codes**

A.T.A & S.A.E WIRING CODES RECOMMENDED STANDARD		
CIRCUITS	POLE WIRING COLOR CODE	RECOMMENDED WIRE GAUGE
Ground Return	White	8 GA
Clearance, Side Marker and Identification Lamps	Black	12 GA
Left Turn & Hazard Signal	Yellow	12 GA
Stop Lamps & Anti-Lock Devices	Red	10 GA
Right Turn Signal & Hazard Signal	Green	12 GA
Tail, Rear Clearance Marker, and License Plate Lamps	Brown	12 GA
Auxiliary Circuit/ABS	Blue	10 GA

**Material Specifications**

ITEM#	NAME	MATERIAL
1	PLUG SHELL	ZINC
2	SET SCREW	IRON
3	BASE SET SCREW	BRASS
4	7-WAY TERMINAL	BRASS
5	TERMINAL BASE	ABS

Rev	Date of issue	Revision Notes	Designed	Approved
A	07-16-2019	Initial Drawing	RC	OH