

1 2 3 4 5 6

A

B

C

D

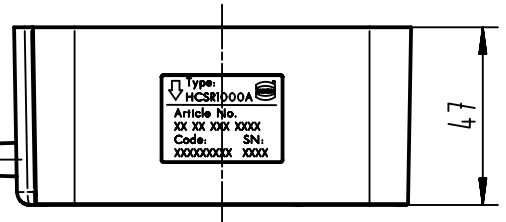
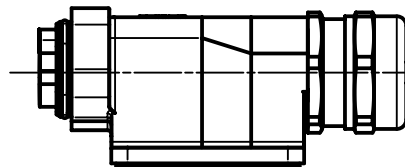
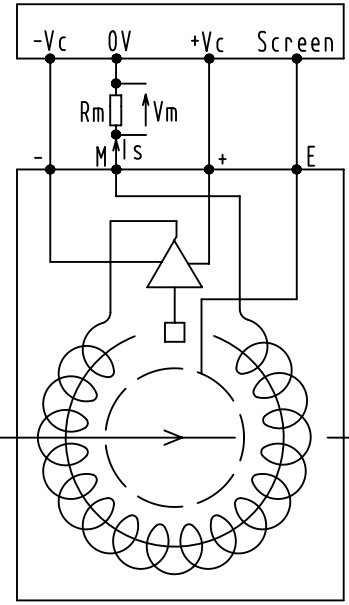
Pin 1  
Pin 2  
Pin 3  
Cable shield

-Vc 0V +Vc Screen

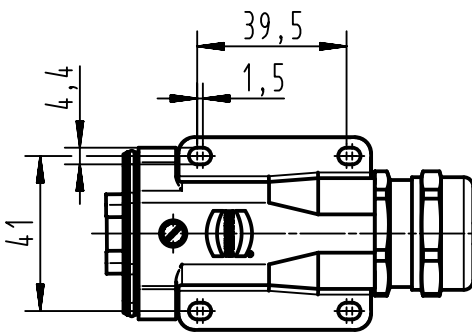
Rm ↑ Vm  
M Is

sensor

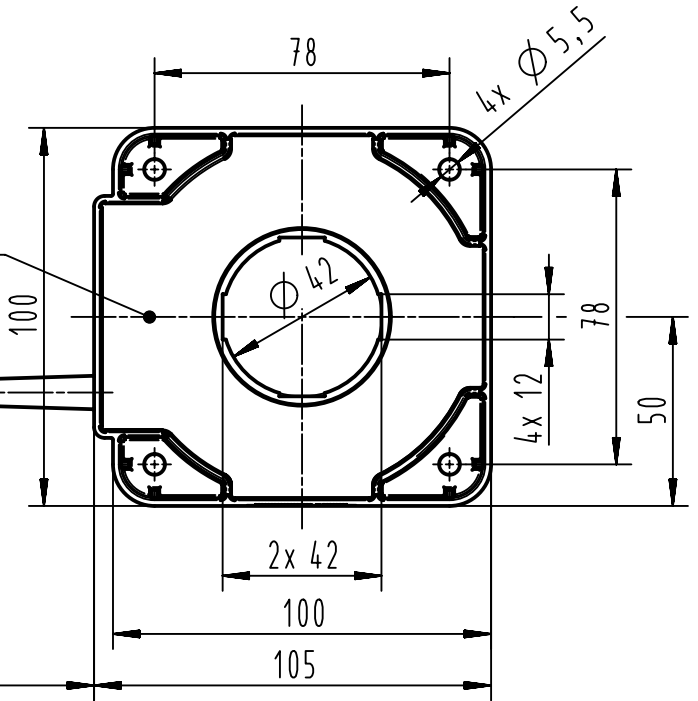
I<sub>p</sub>



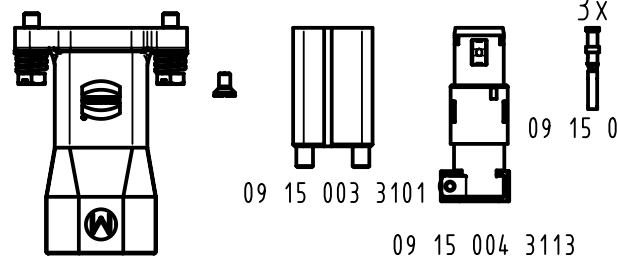
47



Hall-Element position



Enclosed separately



19 40 703 0411

09 15 003 3101

09 15 004 3113

3x 09 15 000 6223

	All Dimensions in mm Original Size DIN A4		Scale 1:2	Free size tol.		Ref.		
	All rights reserved Department EL PD - DE		Created by GRUBES	Inspected by HORSTMANNJ	Standardisation TIEMANNA	Date 2013-04-19	State Old Release	
HARTING Electric GmbH & Co. KG D-32339 Espelkamp			Title HCSR1000 w.120mm Cable + 3A HPR Quintax				Doc-Key / ECM-Nr. 100534596/UGD/001/A 500000061224	
			Type TB	Number 20 31 100 9103			Rev. A	Page 1/1