

# LP16 SERIES PUSHBUTTON SWITCH

ANTI-VANDAL SWITCHES  
 DETECTOR SWITCHES  
 DIP SWITCHES  
 KEYLOCK SWITCHES  
 NAVIGATION SWITCHES  
**PUSHBUTTON SWITCHES**  
 ROCKER SWITCHES  
 ROTARY SWITCHES  
 SLIDE SWITCHES  
 SNAP ACTION SWITCHES  
 TACTILE SWITCHES  
 TOGGLE SWITCHES  
 CAP OPTIONS



## APPLICATIONS / MARKETS



Audio / Visual



Computer Peripherals



Telecommunication



Networking



Instrumentation



Medical Equipment

# RoHS

## SPECIFICATIONS

**Electrical Rating:** 100mA, 20VDC  
**Life Expectancy:** 50,000,000 Cycles  
**Contact Resistance:** 150mΩ Max.  
**Insulation Resistance:** 10MΩ Min. at 500VDC  
**Dielectric Strength:** 500VAC for 1 Minute  
**Operating Temperature:** -5°C to 60°C  
**Operating Force:** 250gf  
**Total Travel:** 3.3mm  
**Functions:** SPST, Off-(On), Momentary

## FEATURES & BENEFITS

- 50,000,000 cycle life expectancy
- Long 3.3mm travel
- Illumination options
- 2 cap sizes
- Price competitive

## PART NUMBER CONFIGURATOR

Series	Function	Circuit	Actuators	Cap Configuration	Cap Color	Diffuser Color	LED Color
<input type="text" value="LP16"/>	<input type="text" value="OA - Momentary"/>	<input type="text" value="1 - SPST"/>	<input type="text" value="A - 12.2mm Square&lt;br/&gt;B - 14.6mm Square"/>	<input type="text" value="S - Sculptured"/>	<input type="text" value="T - Transparent*&lt;br/&gt;R - Red&lt;br/&gt;G - Green&lt;br/&gt;B - Blue&lt;br/&gt;Y - Yellow"/>	<input type="text" value="T - Transparent**&lt;br/&gt;W - White&lt;br/&gt;R - Red&lt;br/&gt;G - Green&lt;br/&gt;B - Blue&lt;br/&gt;Y - Yellow"/>	<input type="text" value="N - No LED&lt;br/&gt;R - Red&lt;br/&gt;G - Green&lt;br/&gt;B - Blue&lt;br/&gt;Y - Yellow"/>

\*Always used when a diffuser color is defined

\*\*Always used when a cap color is defined

Specifications subject to change without notice 2.8.2019



**E-SWITCH®**

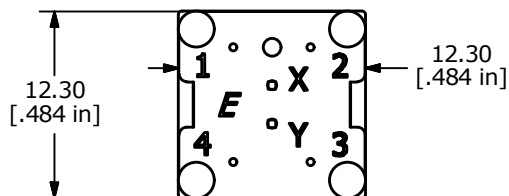
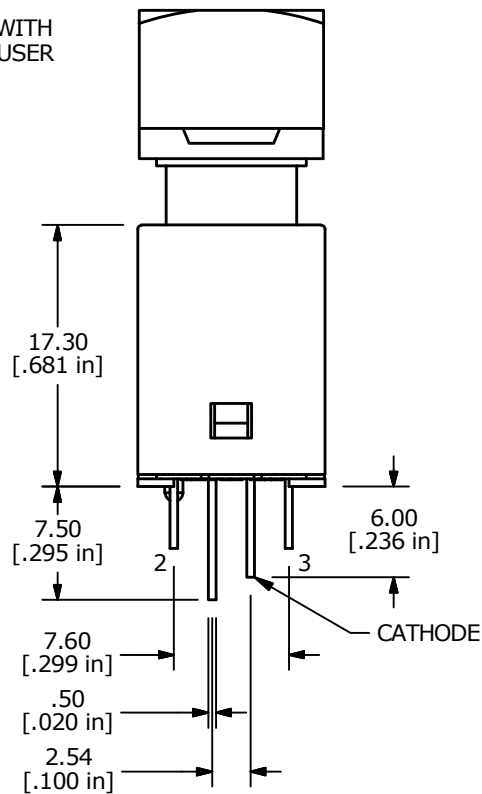
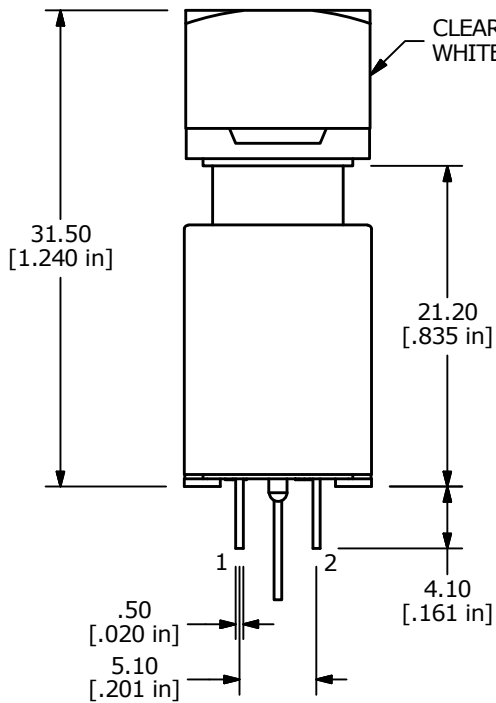
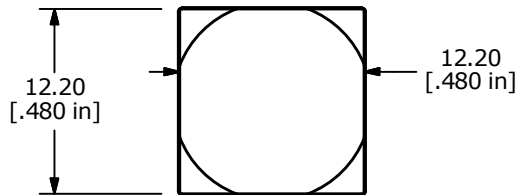
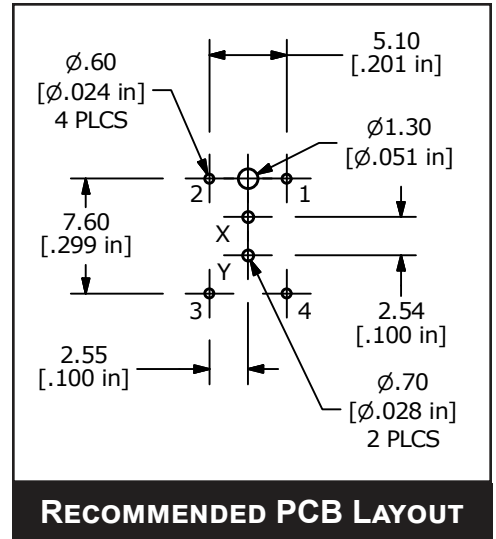
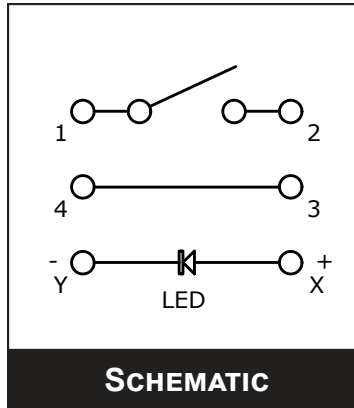
www.e-switch.com

800.867.2717

1

# LP16 SERIES PUSHBUTTON SWITCH

## BODY DIMENSIONS 12.2MM SQUARE ACTUATOR



ANTI-VANDAL SWITCHES  
DETECTOR SWITCHES  
DIP SWITCHES  
KEYLOCK SWITCHES  
NAVIGATION SWITCHES  
**PUSHBUTTON SWITCHES**  
ROCKER SWITCHES  
ROTARY SWITCHES  
SLIDE SWITCHES  
SNAP ACTION SWITCHES  
TACTILE SWITCHES  
TOGGLE SWITCHES  
CAP OPTIONS

# LP16 SERIES PUSHBUTTON SWITCH

## BODY DIMENSIONS 14.6MM SQUARE ACTUATOR

