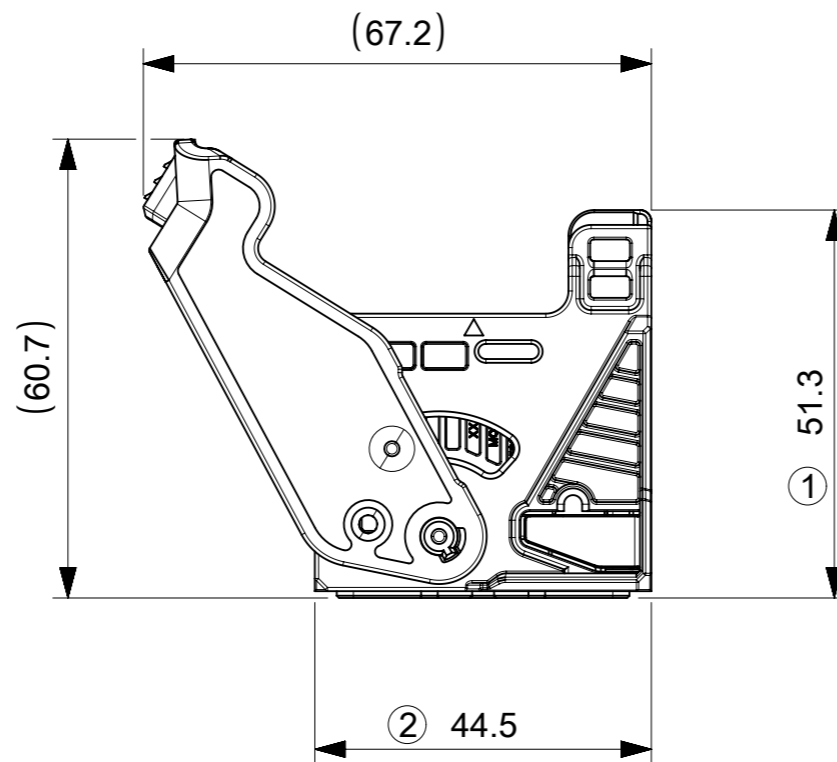
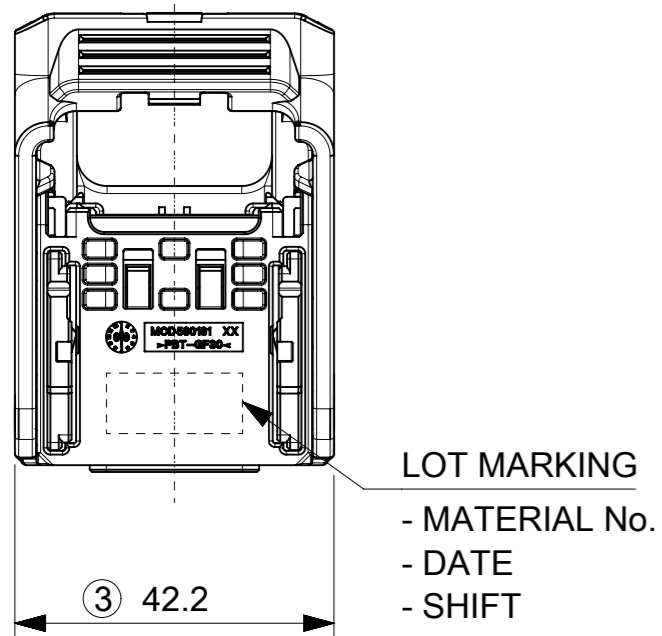
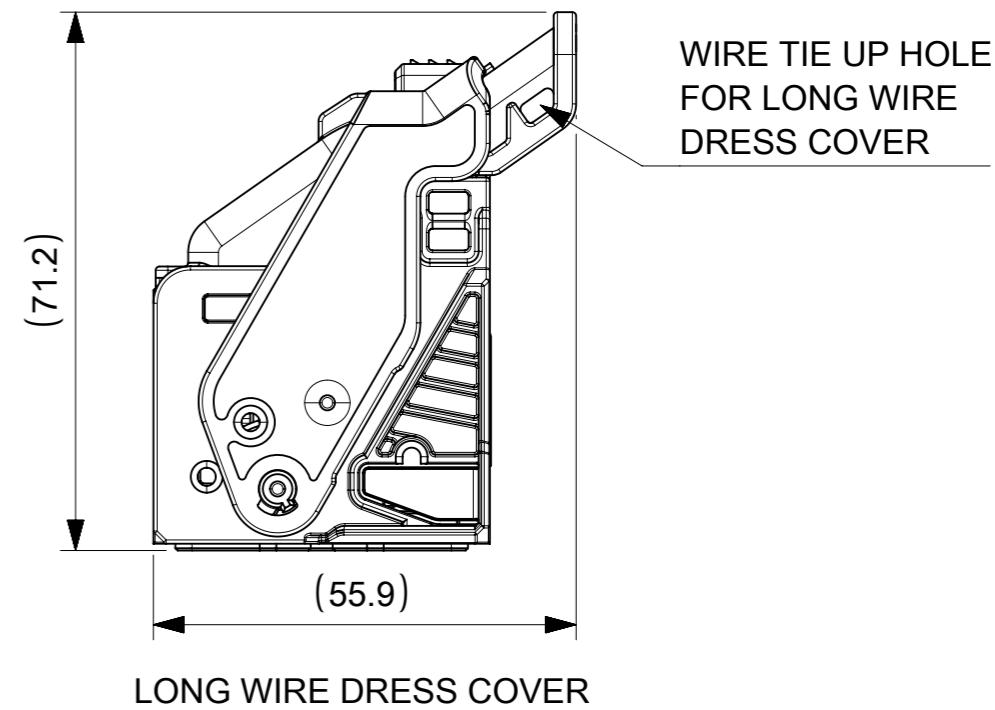
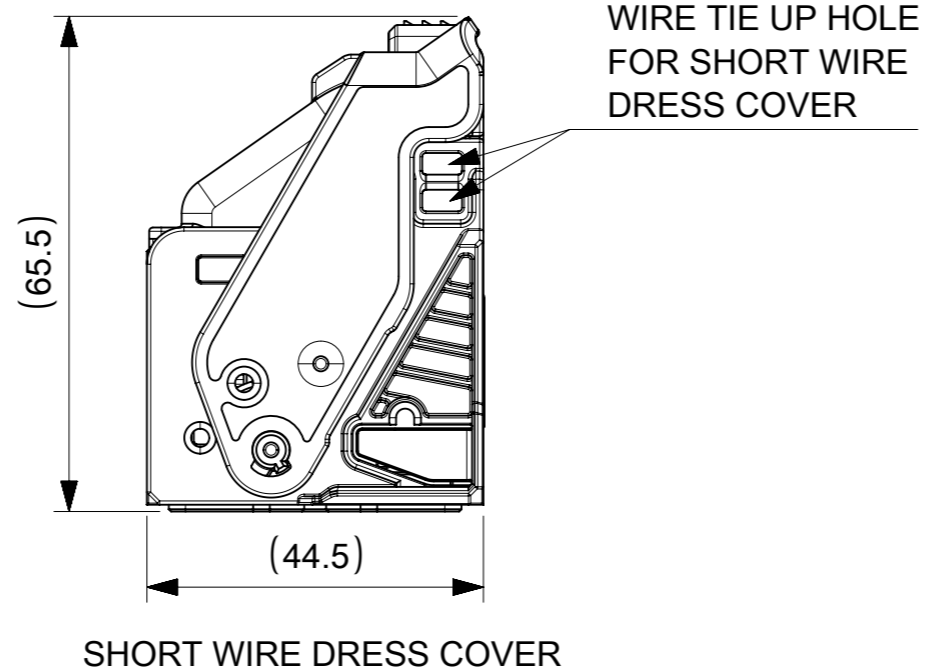
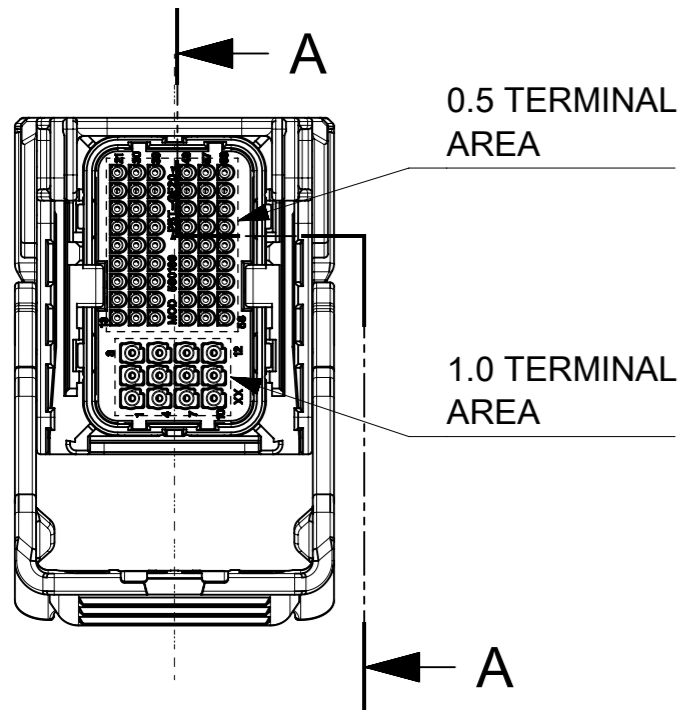


WIRE DRESS COVER OPTION



NOTES

1. APPLICABLE TERMINAL
0.5 : 560121 SERIES
1.0 : 560205 SERIES
2. APPLICABLE WIRE SIZE
0.5 : REFER AS-560121-001
1.0 : REFER AS-560205-001
3. APPLICABLE INSULATION DIAMETER
0.5 : $\varnothing 1.1 \sim 1.7$ mm
1.0 : $\varnothing 1.25 \sim 2.3$ mm
4. APPLICABLE DUMMY PLUG
0.5 : 560144-0115
1.0 : 503131-0151
5. APPLICABLE WIRE DRESS COVER
SHORT : 560189-0101
LONG : 560189-0111

0.5 TERMINAL SIDE	560152-6622
1.0 TERMINAL SIDE	560152-6632
WIRE PULLOUT DIRECTION	MATERIAL No.

GENERAL TOLERANCES (UNLESS SPECIFIED)		
10 UNDER	±0.3	
10 OVER 30 UNDER	±0.4	
30 OVER	±0.5	
ANGULAR	±5°	

THIS DRAWING CONTAINS INFORMATION THAT IS PROPRIETARY TO MOLEX ELECTRONIC TECHNOLOGIES, LLC AND SHOULD NOT BE USED WITHOUT WRITTEN PERMISSION

DIMENSION UNITS	SCALE	CURRENT REV DESC:	
mm	1:1		
GENERAL TOLERANCES (UNLESS SPECIFIED)			
ANGULAR TOL	±	°	
4 PLACES	±	EC NO: 620306	2019/06/03
3 PLACES	±	DRWN: KKATO01	2019/07/17
2 PLACES	±	CHK'D: TIIDA01	2019/07/18
1 PLACE	±	APPR: TOSADA	2019/07/18
0 PLACES	±	INITIAL REVISION:	
DRAFT WHERE APPLICABLE MUST REMAIN WITHIN DIMENSIONS		DRWN: KKATO01	2019/06/03
THIRD ANGLE PROJECTION		APPR: TOSADA	2019/07/18
DRAWING		SERIES	MATERIAL NUMBER
A3-SIZE		560152	SEE TABLE
CUSTOMER		GENERAL	
SHEET NUMBER		1 OF 2	

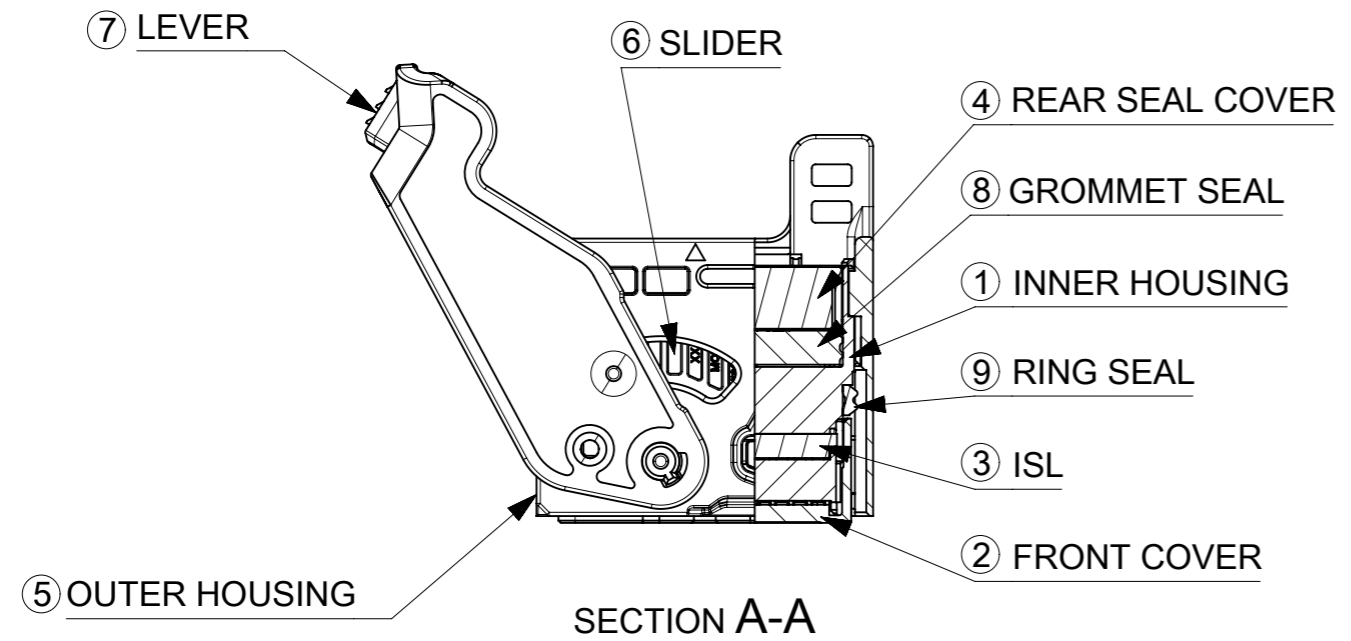
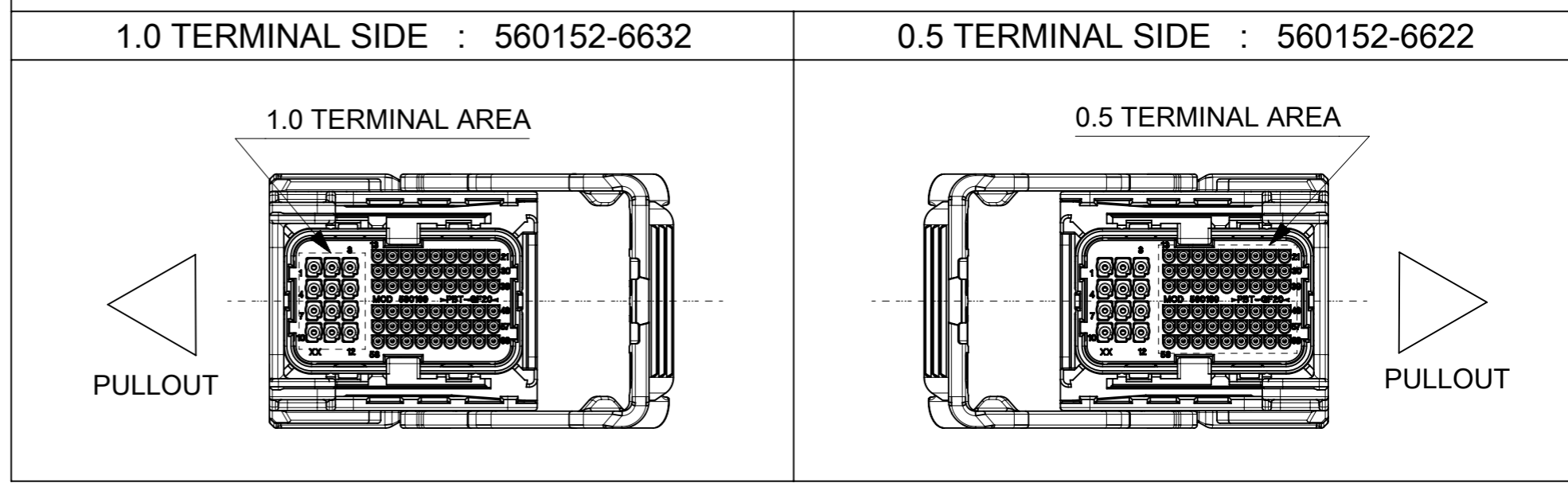
molex

COMPACTUS 66WAY ASSY

PRODUCT CUSTOMER DRAWING

DOCUMENT NUMBER	DOC TYPE	DOC PART	REVISION
5601520002-SD	PSD	000	A

WIRE PULLOUT DIRECTION



No.	PRODUCT NAME	MATERIAL	COLOR
1	INNER HOUSING	PBT, UNFILLED	BLACK
2	FRONT COVER	PBT, GLASS-FILLED	BLACK
3	ISL	PBT, GLASS-FILLED	NATURAL (WHITE)
4	REAR SEAL COVER	PBT, GLASS-FILLED	BLACK
5	OUTER HOUSING	PBT, GLASS-FILLED	BLACK
6	SLIDER	PA, GLASS-FILLED	NATURAL (WHITE)
7	LEVER	PBT, GLASS-FILLED	DARK GRAY
8	GROMMET SEAL	SILICONE RUBBER	BROWN
9	RING SEAL	SILICONE RUBBER	YELLOW

THIS DRAWING CONTAINS INFORMATION THAT IS PROPRIETARY TO MOLEX ELECTRONIC TECHNOLOGIES, LLC AND SHOULD NOT BE USED WITHOUT WRITTEN PERMISSION		CURRENT REV DESC:		molex		
DIMENSION UNITS	SCALE	EC NO: 620306				
mm	1:1	DRWN: KKATO01 2019/06/03		COMPACTUS 66WAY ASSY		
GENERAL TOLERANCES (UNLESS SPECIFIED)		CHK'D: TIIDA01 2019/07/17				
ANGULAR TOL	± °	APPR: TOSADA 2019/07/18		PRODUCT CUSTOMER DRAWING		
4 PLACES	±	INITIAL REVISION:		DOCUMENT NUMBER		
3 PLACES	±	DRWN: KKATO01 2019/06/03		5601520002-SD		
2 PLACES	±	APPR: TOSADA 2019/07/18		DOC TYPE		
1 PLACE	±	DRWN: KKATO01 2019/06/03		PSD		
0 PLACES	±	APPR: TOSADA 2019/07/18		DOC PART		
DRAFT WHERE APPLICABLE MUST REMAIN WITHIN DIMENSIONS		THIRD ANGLE PROJECTION	DRAWING	SERIES	MATERIAL NUMBER	CUSTOMER
			A3-SIZE	560152	SEE TABLE	GENERAL
						REVISION
						A
						SHEET NUMBER
						2 OF 2