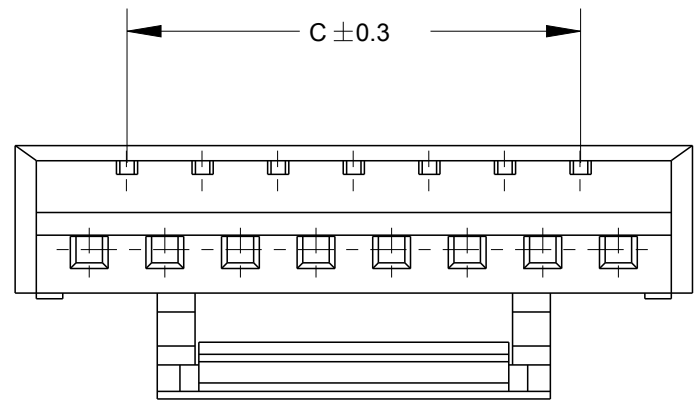
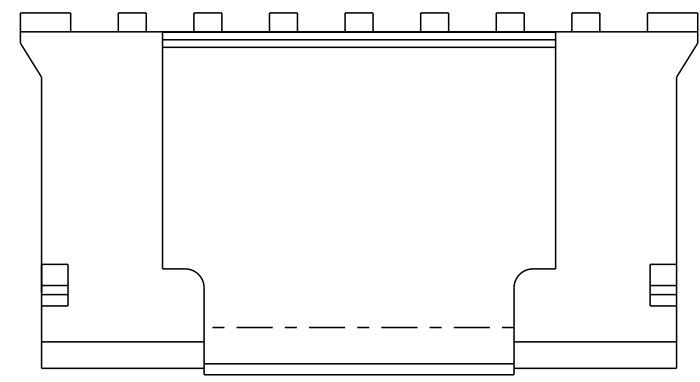
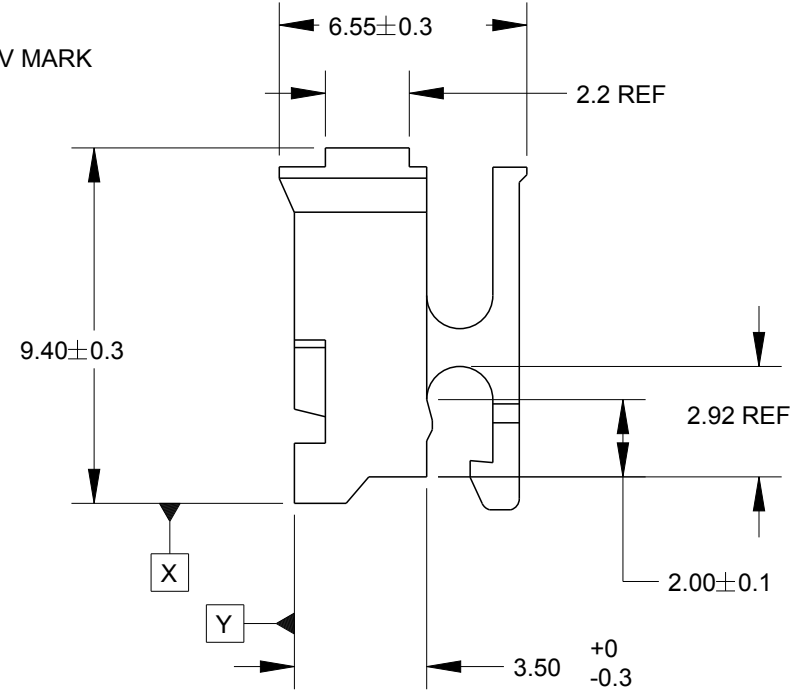
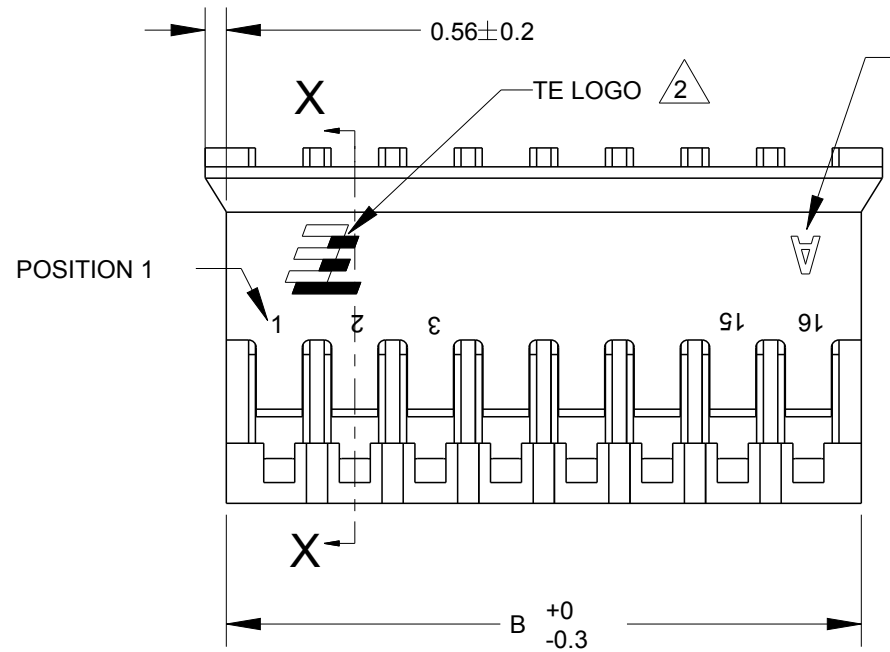
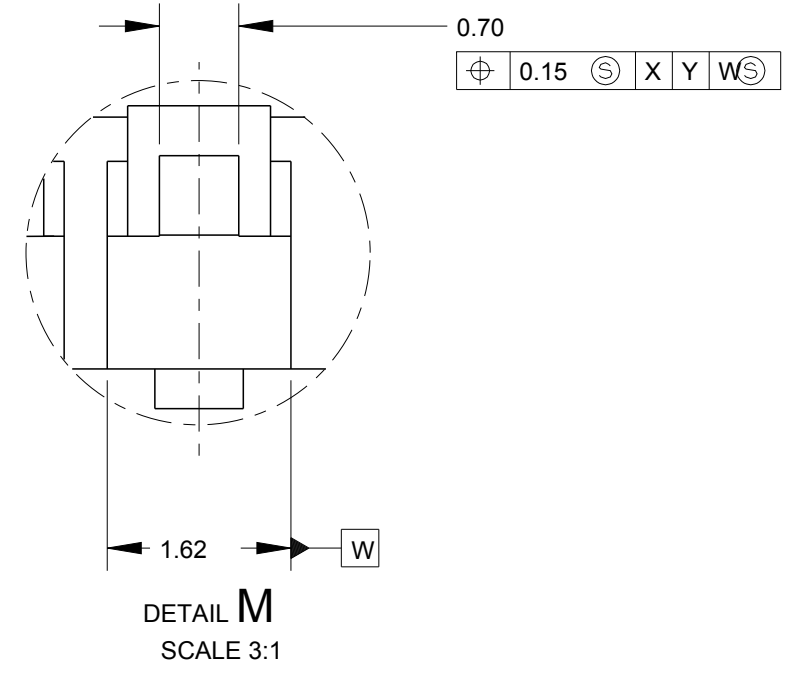
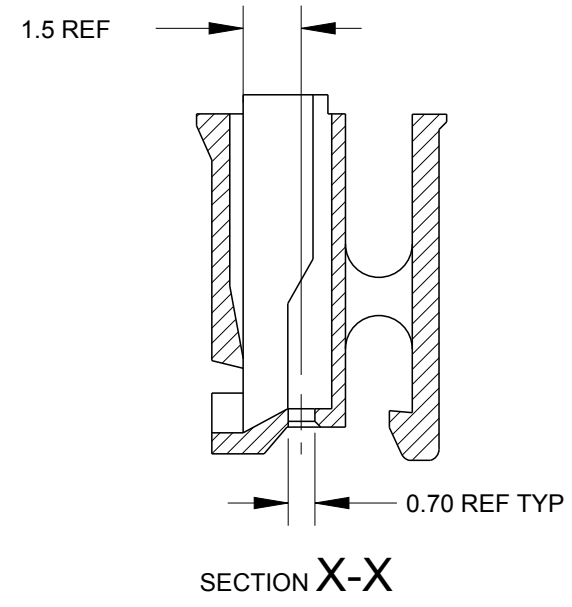
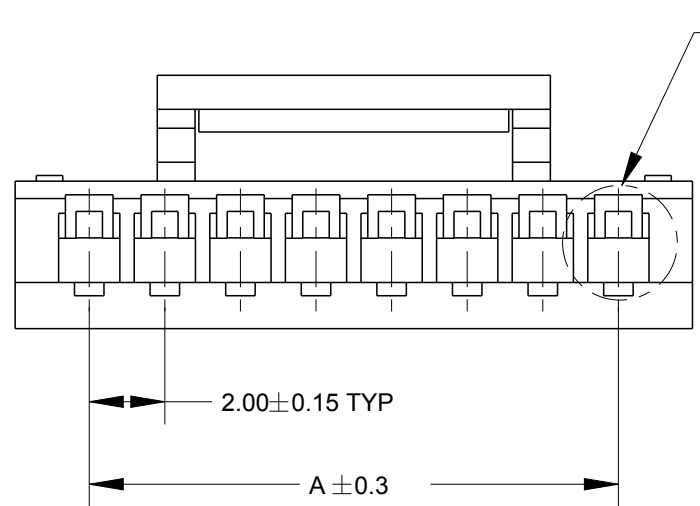


THIS DRAWING IS UNPUBLISHED. RELEASED FOR PUBLICATION
 © COPYRIGHT BY TYCO ELECTRONICS CORPORATION. ALL RIGHTS RESERVED.

LOC	DIST	REVISIONS			
P	LTR	DESCRIPTION	DATE	DWN	APVD
DY	-	F2	REVISED PER ECR-13-019056	09DEC13	S.C. W.K.

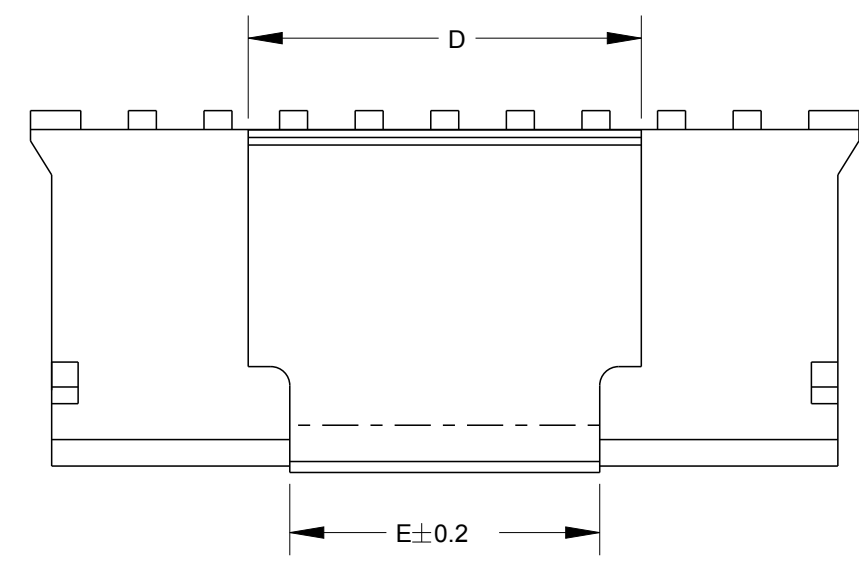
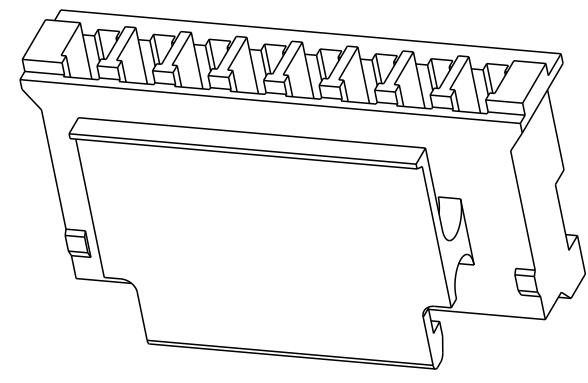
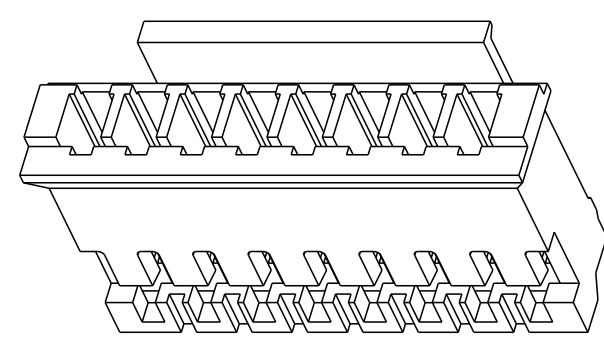


<small>THIS DRAWING IS A CONTROLLED DOCUMENT FOR TYCO ELECTRONICS CORPORATION IT IS SUBJECT TO CHANGE AND THE CONTROLLING ENGINEERING ORGANIZATION SHOULD BE CONTACTED FOR THE LATEST REVISION.</small>		DWN WYLEE 01JUNE2007 CHK KT GOH 01JUNE2007 APVD SF LEONG 01JUNE2007			
DIMENSIONS: mm 		TOLERANCES UNLESS OTHERWISE SPECIFIED: 0 PLC ±- 1 PLC ±- 2 PLC ±- 3 PLC ±- 4 PLC ±- ANGLES ±- FINISH -		NAME HPI 2.0 RECEPTACLE HOUSING WITH LATCH PRODUCT SPEC 108-51087 APPLICATION SPEC - WEIGHT -	
MATERIAL 1 		CUSTOMER DRAWING		SIZE A3 CAGE CODE 00779 DRAWING NO 1735447	RESTRICTED TO SCALE 5:1 SHEET 1 OF 2 REV F2

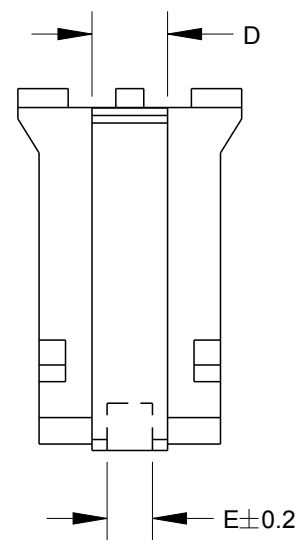
THIS DRAWING IS UNPUBLISHED. RELEASED FOR PUBLICATION
 © COPYRIGHT BY TYCO ELECTRONICS CORPORATION. ALL RIGHTS RESERVED.

LOC	DIST	REVISIONS				
P	LTR	DESCRIPTION	DATE	DWN	APVD	
DY	-	SEE SHEET 1				

- NOTES:
- 1 MATERIAL: THERMOPLASTIC, UL94V-0,
 - 2 TE LOGO LOCATED AT APPROXIMATE LOCATION AS SHOWN
 - 3. SUITABLE TE CONTACT: 1735801-1 APPLICABLE WIRE SIZE #24~#30 ONLY



5~16P



3~4P

COLOUR	E	D	C	B	A	POS	PART NUMBER
BLACK	8.2	10.4±0.2	28.00	32.80	30.00	16P	3-1735447-6
	8.2	10.4±0.2	26.00	30.80	28.00	15P	3-1735447-5
	8.2	10.4±0.2	24.00	28.80	26.00	14P	3-1735447-4
	8.2	10.4±0.2	22.00	26.80	24.00	13P	3-1735447-3
	8.2	10.4±0.2	20.00	24.80	22.00	12P	3-1735447-2
	8.2	10.4±0.2	18.00	22.80	20.00	11P	3-1735447-1
	8.2	10.4±0.2	16.00	20.80	18.00	10P	3-1735447-0
	8.2	10.4±0.2	14.00	18.80	16.00	9P	2-1735447-9
	8.2	10.4±0.2	12.00	16.80	14.00	8P	2-1735447-8
	7.3	9.5±0.2	10.00	14.80	12.00	7P	2-1735447-7
	5.3	7.5±0.2	8.00	12.80	10.00	6P	2-1735447-6
	3.3	5.5±0.2	6.00	10.80	8.00	5P	2-1735447-5
	1.3	3.5±0.2	4.00	8.80	6.00	4P	2-1735447-4
1.0	1.8 ^{+0.08} _{-0.2}	2.00	6.80	4.00	3P	2-1735447-3	
NATURAL	8.2	10.4±0.2	28.00	32.80	30.00	16P	1-1735447-6
	8.2	10.4±0.2	26.00	30.80	28.00	15P	1-1735447-5
	8.2	10.4±0.2	24.00	28.80	26.00	14P	1-1735447-4
	8.2	10.4±0.2	22.00	26.80	24.00	13P	1-1735447-3
	8.2	10.4±0.2	20.00	24.80	22.00	12P	1-1735447-2
	8.2	10.4±0.2	18.00	22.80	20.00	11P	1-1735447-1
	8.2	10.4±0.2	16.00	20.80	18.00	10P	1-1735447-0
	8.2	10.4±0.2	14.00	18.80	16.00	9P	1735447-9
	8.2	10.4±0.2	12.00	16.80	14.00	8P	1735447-8
	7.3	9.5±0.2	10.00	14.80	12.00	7P	1735447-7
	5.3	7.5±0.2	8.00	12.80	10.00	6P	1735447-6
	3.3	5.5±0.2	6.00	10.80	8.00	5P	1735447-5
	1.3	3.5±0.2	4.00	8.80	6.00	4P	1735447-4
1.0	1.8 ^{+0.08} _{-0.2}	2.00	6.80	4.00	3P	1735447-3	

THIS DRAWING IS A CONTROLLED DOCUMENT FOR TYCO ELECTRONICS CORPORATION IT IS SUBJECT TO CHANGE AND THE CONTROLLING ENGINEERING ORGANIZATION SHOULD BE CONTACTED FOR THE LATEST REVISION.

DIMENSIONS: mm	TOLERANCES UNLESS OTHERWISE SPECIFIED:	DWN WYLEE 01JUNE2007	
	0 PLC ±-	CHK KT GOH 01JUNE2007	
	1 PLC ±-	APVD SFLEONG 01JUNE2007	
	2 PLC ±-	PRODUCT SPEC 108-51087	
MATERIAL	FINISH -	APPLICATION SPEC -	NAME HPI 2.0 RECEPTACLE HOUSING WITH LATCH SIZE A3 CAGE CODE 00779 DRAWING NO 1735447 RESTRICTED TO WEIGHT - SCALE 5:1 SHEET 2 OF 2 REV F2

CUSTOMER DRAWING