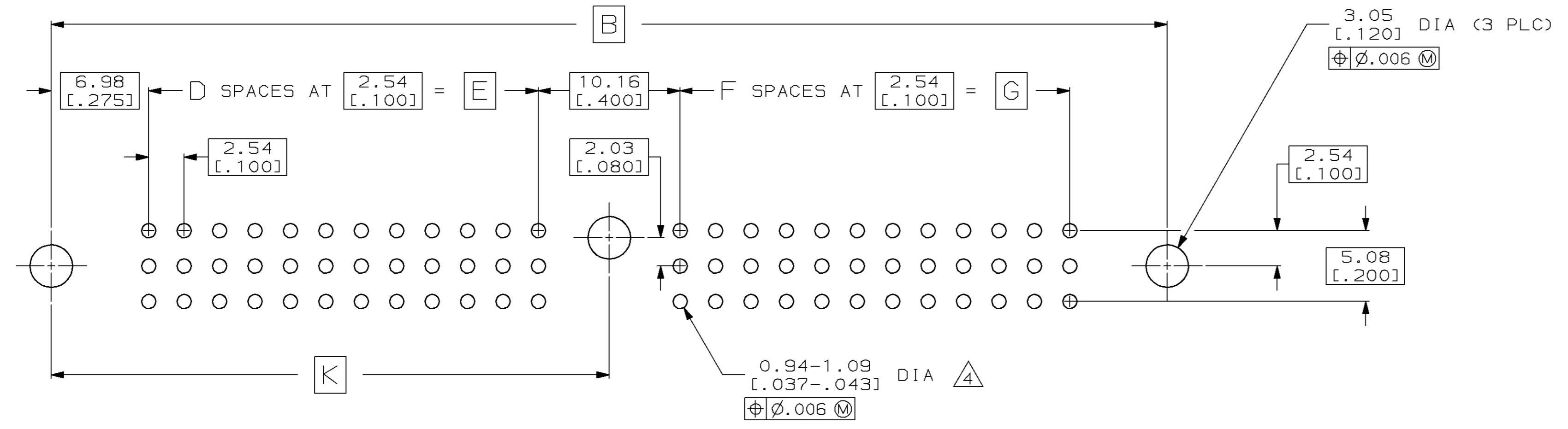
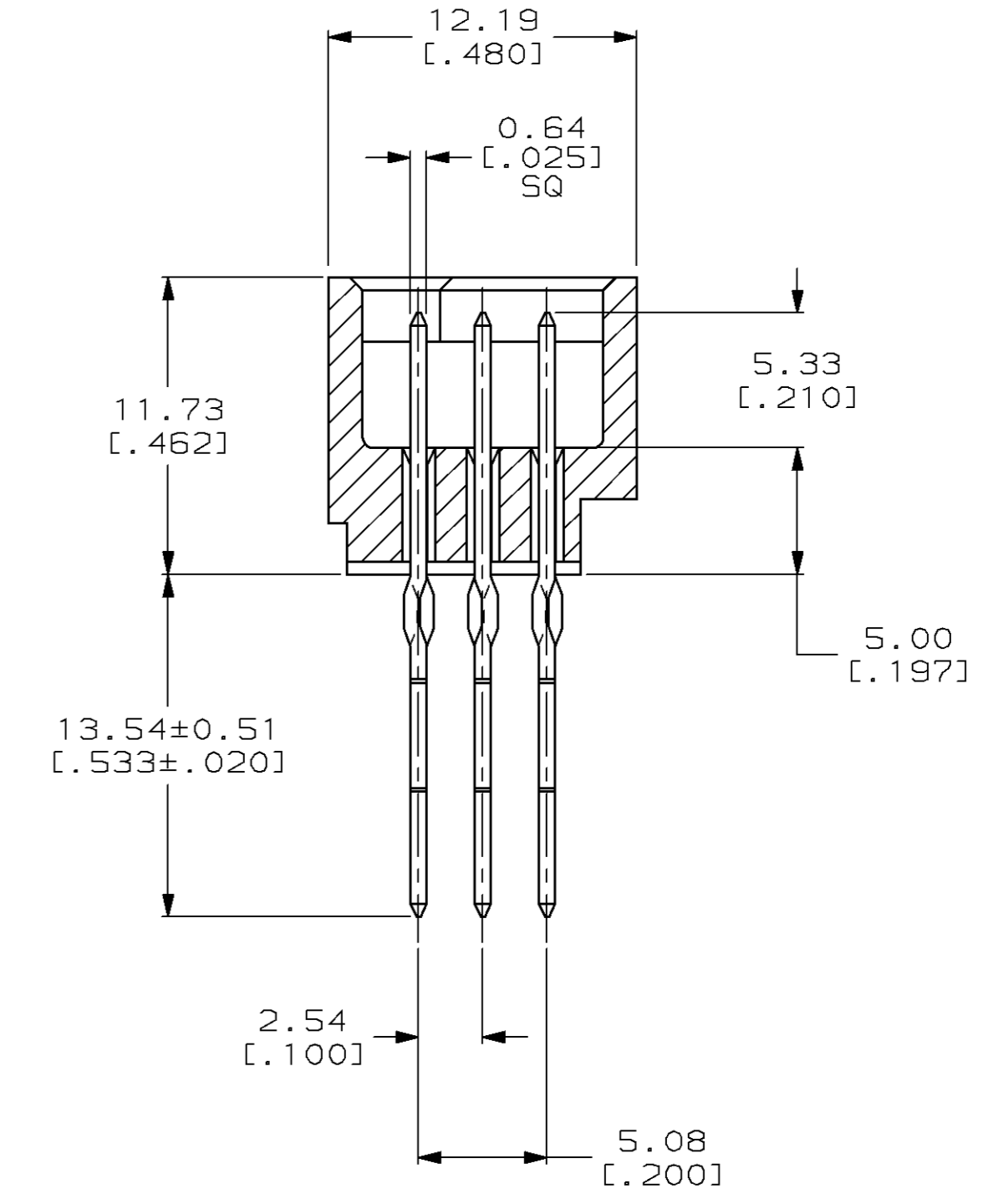
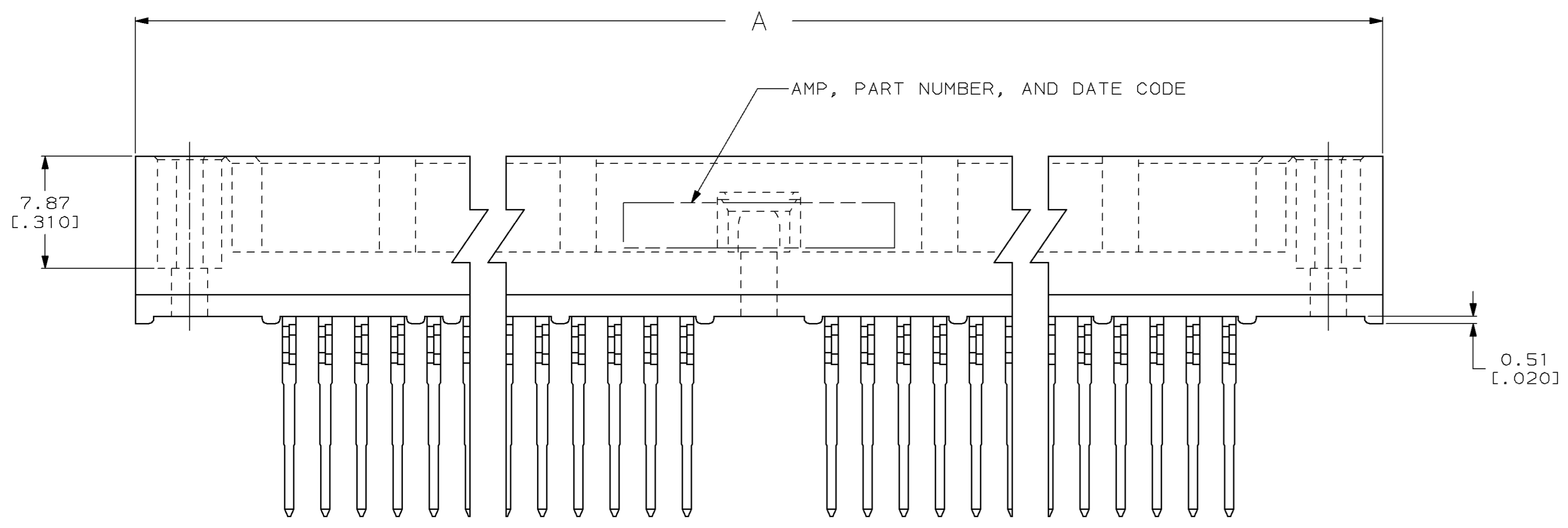
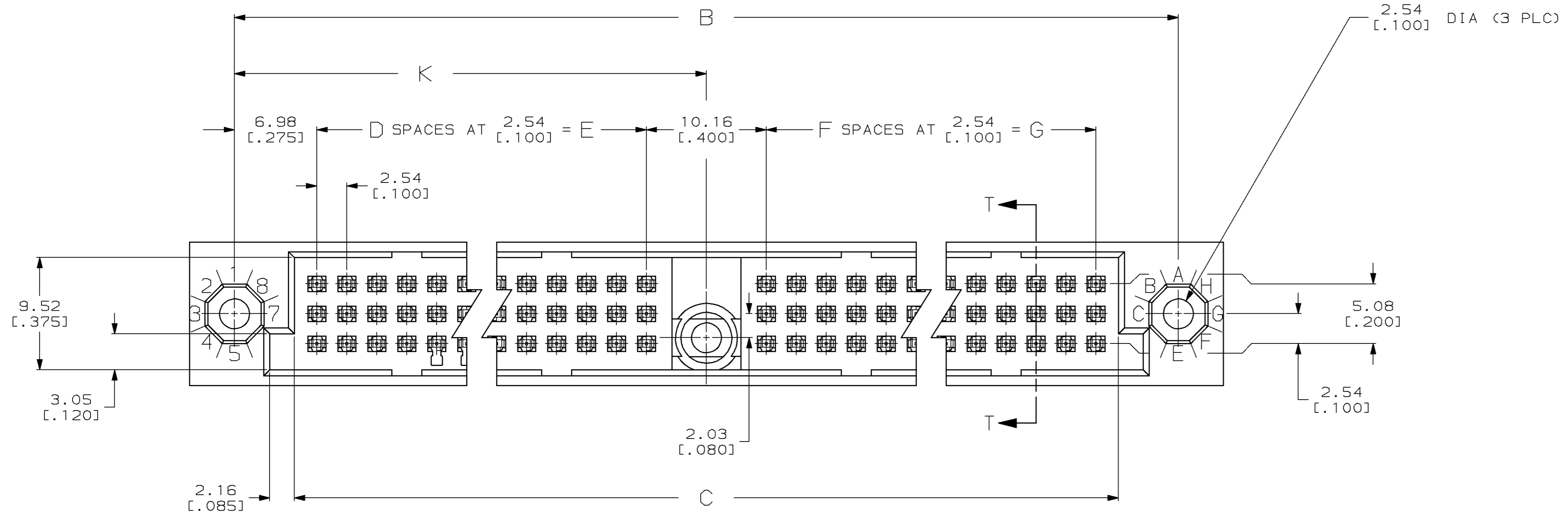


LOC		DIST		REVISONS		DATE	APPD
AD	25	P	F	ZONE	LTR	DESCRIPTION	
					F	ECN AD4218	04/11/90 RKS
					G	ECN.0010-1068-93 CJ	9-30-93 GES
					H	REV PER EC 0010-1334-93	11-22-93 GES
					J	PER EC 0328-96	T.S. 5-20-96 JR
					K	REVISED PER 0620-0203-98	24JUN98 J.D.W.



RECOMMENDED P.C. BOARD LAYOUT



DO NOT SCALE PRINT. UNLESS SPECIFIED DIMENSIONS IN mm [INCHES] TOLERANCES ON: 2 PLC DEC ± - 3 PLC DEC ± 0.13 [.005] ANGLES ± -		DR 04/11/90 R.K. SEIFRIED	PART NO	
	CHK 04/11/90 G. SKIPPER	AMP AMP Incorporated Harrisburg, PA 17105-3608		
	APPD 04/11/90 G. SKIPPER	NAME HDI, 3 ROW, PIN ASSEMBLY, ONE CENTER GUIDE PIN, 13.54 [.533] LONG ACTION PINS, ALL GOLD PLATED POSTS		
	APPD 04/11/90 G. SKIPPER	PRODUCT SPEC	SIZE D	CAGE CODE 00779
	FINISH 3	APPLICATION SPEC	SCALE 4:1	DRAWING NO 533434
		WEIGHT		SHEET 1 OF 2

LOC		DIST		P		F		ZONE		LTR		REVISIONS			
AD	25											DESCRIPTION	DATE	APPD	
												K	SEE SHEET 1	-	-

- ① HOUSING MATERIAL: THERMOPLASTIC, COLOR-NATURAL.
- ② CONTACT MATERIAL: PHOSPHOR BRONZE.
- ③ CONTACT FINISH: .00127-.00254 [.000050-.000100] NICKEL UNDERPLATE ALL OVER; .00076 [.000030] GOLD PLATE IN CONTACT AREA AND FOR 5.08 [.200] FROM TIP OF WIRE-WRAP POST; GOLD FLASH ON REMAINDER OF POST.
- ④ ACTION PIN POSTS REQUIRE 2.36 [.093] MIN THICK P.C. BOARD. RECOMMENDED P.C. BOARD HOLES ARE 1.151 [.0453] DIA PLATED THRU WITH 0.025-0.076 [.001-.003] COPPER, WITH 0.0076 [.0003] MIN TIN-LEAD PLATING; FINISHED HOLE AFTER PLATING 0.94-1.09 [.037-.043] DIA; AFTER RELOW 0.91-1.09 [.036-.043].
- 5. DIMENSIONS IN BRACKETS ARE IN INCHES.
- ⑥ PART NUMBER IS OBSOLETE.

⑥	164.46 [6.475]	152.40 [6.000]	60	152.40 [6.000]	60	318.77 [12.550]	328.93 [12.950]	336.55 [13.250]	366	533434-8
										533434-7
	149.22 [5.875]	137.16 [5.400]	54	137.16 [5.400]	54	288.29 [11.350]	298.45 [11.750]	306.07 [12.050]	330	533434-6
	141.60 [5.575]	129.54 [5.100]	51	129.54 [5.100]	51	273.05 [10.750]	283.21 [11.150]	290.83 [11.450]	312	533434-5
	133.98 [5.275]	121.92 [4.800]	48	121.92 [4.800]	48	257.81 [10.150]	267.97 [10.550]	275.59 [10.850]	294	533434-4
	126.36 [4.975]	114.30 [4.500]	45	114.30 [4.500]	45	242.57 [9.550]	252.73 [9.950]	260.35 [10.250]	276	533434-3
⑥										533434-2
	111.12 [4.375]	99.06 [3.900]	39	99.06 [3.900]	39	212.09 [8.350]	222.25 [8.750]	229.87 [9.050]	240	533434-1
	K	G	F	E	D	C	B	A	POSN	PART NUMBER

DO NOT SCALE PRINT. UNLESS SPECIFIED DIMENSIONS IN mm [INCHES] TOLERANCES ON:		DR 04/11/90 R.K. SEIFRIED		AMP AMP Incorporated Harrisburg, PA 17105-3608	
1 2 PLC DEC ± 0.13 [.005]		CHK 04/11/90 G. SKIPPER			
MATERIAL		APPD 04/11/90 G. SKIPPER		NAME	
① ②		APPD 04/11/90 G. SKIPPER		HDI, 3 ROW, PIN ASSEMBLY, ONE CENTER GUIDE PIN, 13.54 [.533] LONG ACTION PINS, ALL GOLD PLATED POSTS	
FINISH		APPLICATION SPEC		SIZE	CAGE CODE
③		-		D	00779
WEIGHT		-		DRAWING NO	533434
				SCALE	4:1
				SHEET	2 OF 2

