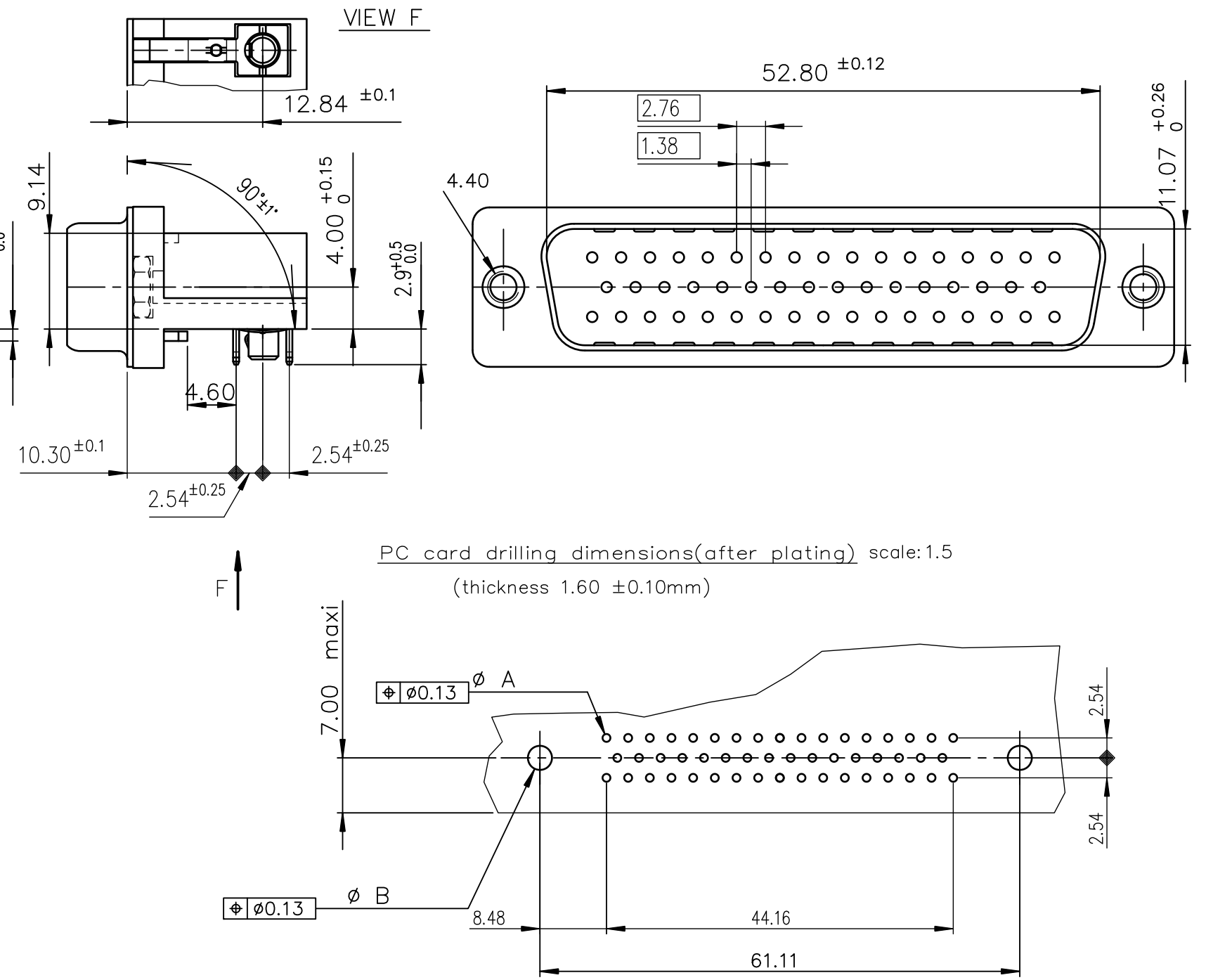
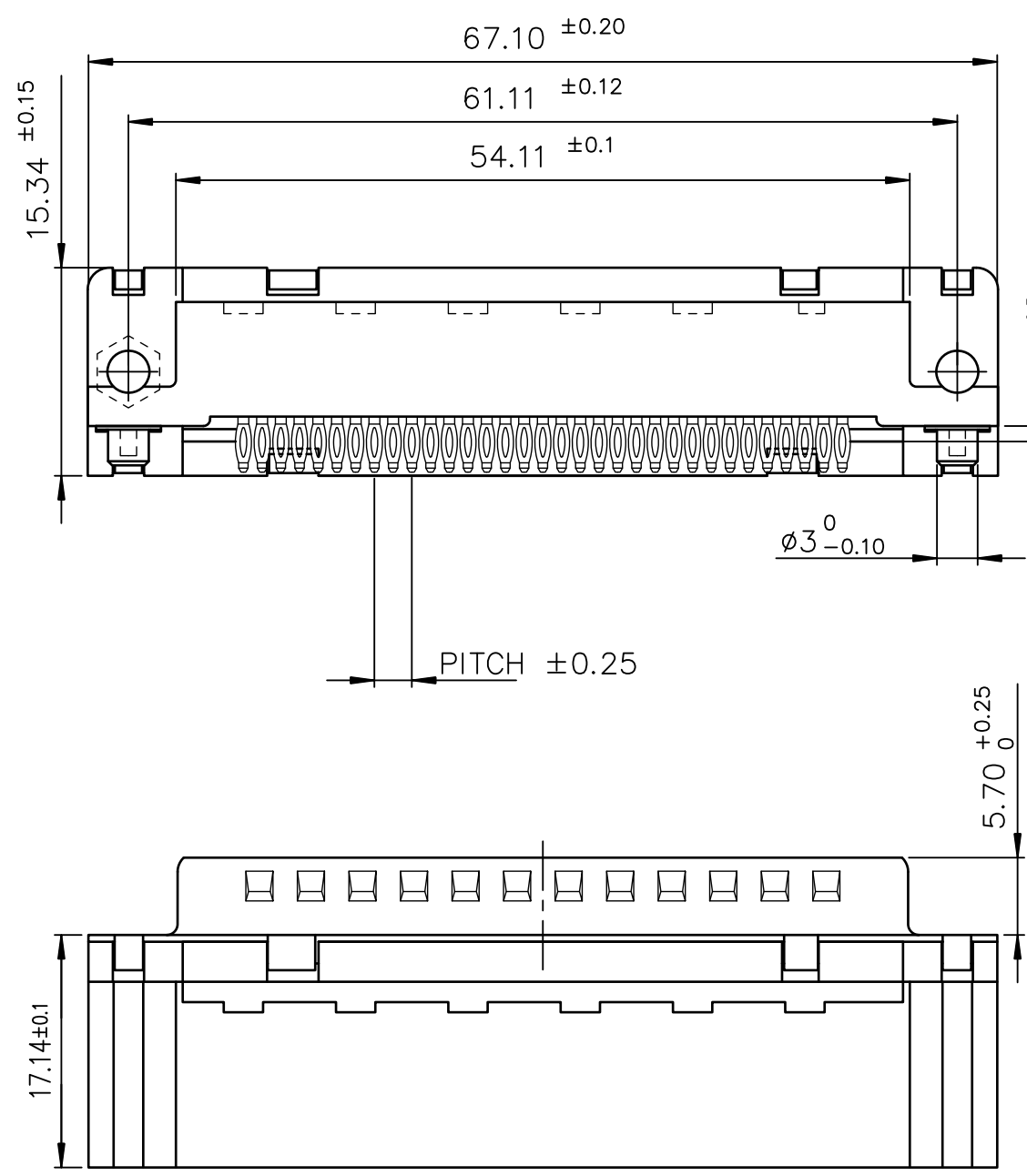




FCIconnect.com

Copyright FCI

D



TIN LEAD PART NUMBER

D50P82C4GX00	D50P82C6GX00
Gold flash	0.76 μ gold

LEAD FREE PART NUMBER

D50P82C4GX00LF	D50P82C6GX00LF
Gold flash	0.76 μ gold

GENERAL CHARACTERISTICS AND ROHS INFORMATIONS:  
SEE DRAWING C01-8646-0001

mat'l. code		surface		tolerance		projection		product family	
-		ISO 1302 ✓		ISO 406 ISO 1101				D-SUB	
ltr		ecn no	dr	date		tolerances unless otherwise specified		title	
H		ELX-I-18050	MP	2014/06/23		angles linear .0±0.1 .00±0.1 .000±0.1		DELTA-D EUROSTYLE MALE 50 RIGHT ANGLED PRESS FIT	
								dwg no sheet 1 of 1 size	
						dr PESSON 1995/10/17 engr MITHUN PAUL 2014/06/23 chr ALIAS BABU 2014/06/23 appd BIJU K PAUL 2014/06/23		C01-8646-0396 A3	
sheet index		revision sheet		H		scale 2:1		type Product Customer Drawing	
		1							