


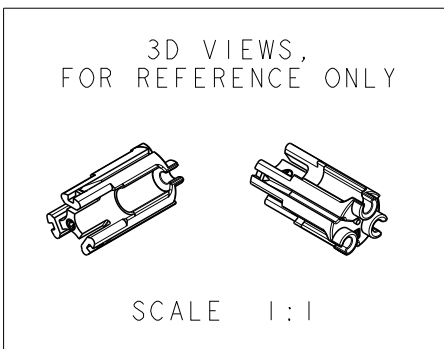
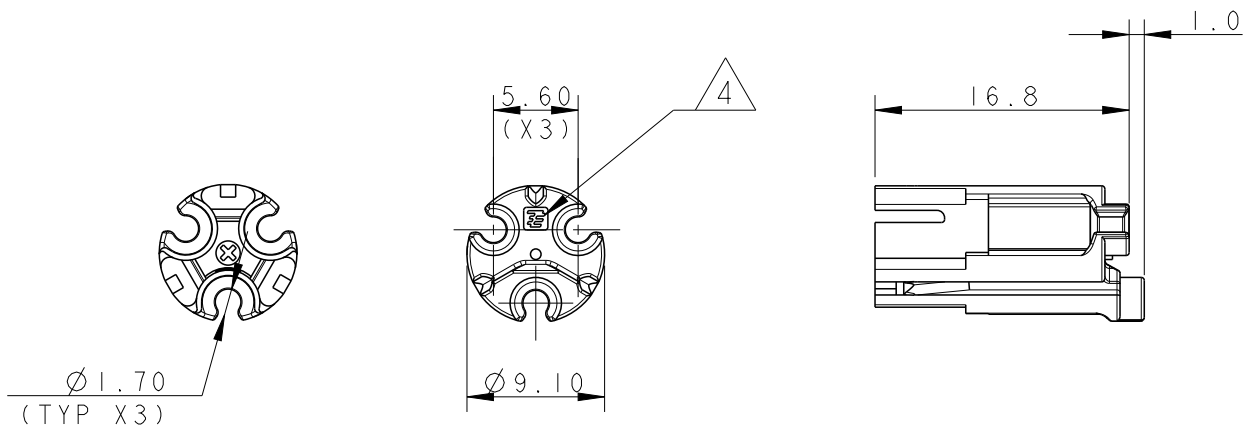
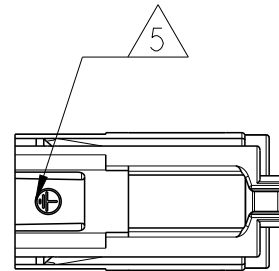


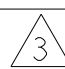
LOC	DIST	REVISIONS					
		P	LTR	DESCRIPTION	DATE	DWN	APVD
1	-		F I	REVISED	07NOV2012	MZ	JC
			G	REVISED AS PER ECR-15-009980	07JUL2015	RS	JL
			H	REVISED AS PER ECR-16-004384	07APR2016	RS	JL
			HI	REVISED AS PER ECR-16-006076	27APR2016	RS	JL

NOTES:

- 1) MATERIAL: POLYAMIDE GLASS FILLED
COLOUR: NATURAL
- 2) PACKAGING: SEE TE PACKAGING SPECIFICATION 107-20294


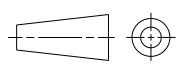
-  INTERIM PART NUMBER
-  TE LOGO
-  PE SYMBOL FOR CAVITY IDENTIFICATION



NATURAL	LOCKING FOR CONTACTS NECTOR* M-LINE	-	293470-2
NATURAL	LOCKING FOR CONTACTS NECTOR* M-LINE		293470-1
COLOUR	DESCRIPTION	NOTE	PART NUMBER

2010 RELEASED FOR PUBLICATION

© COPYRIGHT 2010 Tyco Electronics AMP GmbH ALL RIGHTS RESERVED.

DIMENSIONS: mm	DWN M. ZUCCA 16OCT2009	MATERIAL	NOTE 1	FINISH	-
TOLERANCES UNLESS OTHERWISE SPECIFIED:	CHK M. ZUCCA 16OCT2009	 TE Connectivity			
0 PLC ±-	APVD G. TURCO 16OCT2009				
1 PLC ±0.3	PRODUCT SPEC	NAME LOCKING FOR CONTACTS NECTOR* M-LINE			
2 PLC ±0.20	108-20304	SIZE	CAGE CODE	DRAWING NO	RESTRICTED TO
3 PLC ±-	APPLICATION SPEC	A 4	00779	C-293470	-
4 PLC ±-	114-20152				
ANGLES ±3°	WEIGHT -	CUSTOMER DRAWING			
	SCALE 2:1		SHEET 1 OF 1		REV HI