

**SCHOTTKY BARRIER RECTIFIER**  
**VOLTAGE 40 Volts CURRENT 3.0 Ampere**

**FEATURES**

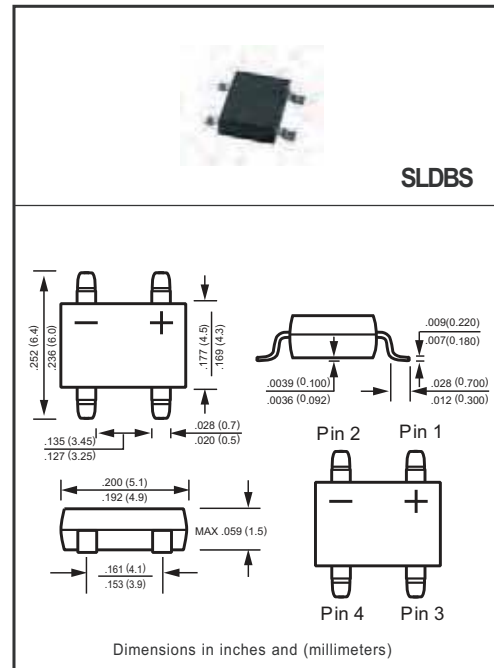
- \* Good for automation insertion
- \* Surge overload rating - 60 amperes peak
- \* Ideal for printed circuit board
- \* Reliable low cost construction utilizing molded
- \* Glass passivated device
- \* Polarity symbols molded on body
- \* Mounting position: Any
- \* Weight: 0.33 gram

**MECHANICAL DATA**

- \* Epoxy: Device has UL flammability classification 94V-O
- \* Halogen-free

**MAXIMUM RATINGS AND ELECTRICAL CHARACTERISTICS**

Ratings at 25 °C ambient temperature unless otherwise specified.  
resistive or inductive load.



MAXIMUM RATINGS (At  $T_A = 25^\circ\text{C}$  unless otherwise noted)

| RATINGS   | SYMBOL          | KSLDB340S    | UNITS                     |
|---|-----------------|--------------|---------------------------|
| Maximum Recurrent Peak Reverse Voltage  | $V_{RRM}$       | 40           | Volts                     |
| Maximum RMS Bridge Input Voltage  | $V_{RMS}$       | 28           | Volts                     |
| Maximum DC Blocking Voltage   | $V_{DC}$        | 40           | Volts                     |
| Maximum Average Forward Output Current at $T_A = 75^\circ\text{C}$                                | $I_O$           | 3.0          | Amps                      |
| Peak Forward Surge Current 8.3 ms single half sine-wave superimposed on rated load (JEDEC method) | $I_{FSM}$       | 60           | Amps                      |
| Typical Current Squared Time  | $I^2t$          | 14.9         | $\text{A}^2\text{S}$      |
| Typical Thermal Resistance (Note 1)   | $R_{\theta JA}$ | 75           | $^\circ\text{C}/\text{W}$ |
|   | $R_{\theta JL}$ | 17           | $^\circ\text{C}/\text{W}$ |
| Operating and Storage Temperature Range   | $T_J, T_{STG}$  | -55 to + 150 | $^\circ\text{C}$          |

ELECTRICAL CHARACTERISTICS (At  $T_A = 25^\circ\text{C}$  unless otherwise noted)

| CHARACTERISTICS  | SYMBOL | KSLDB340S                   | UNITS |                  |
|--|--------|-----------------------------|-------|------------------|
| Maximum Forward Voltage Drop per Bridge Element at 3.0ADC        | $V_F$  | 0.55                        | Volts |                  |
| Maximum Reverse Current at Rated DC Blocking Voltage per element | $I_R$  | @ $T_A = 25^\circ\text{C}$  | 100   | $\mu\text{Amps}$ |
|  |        | @ $T_A = 125^\circ\text{C}$ | 5.0   | $\text{mAmps}$   |

Note: 1. Thermal Resistance: Mounted on PCB.

2018-09  
REV:B

## RATING AND CHARACTERISTICS CURVES ( KSLDB340S)

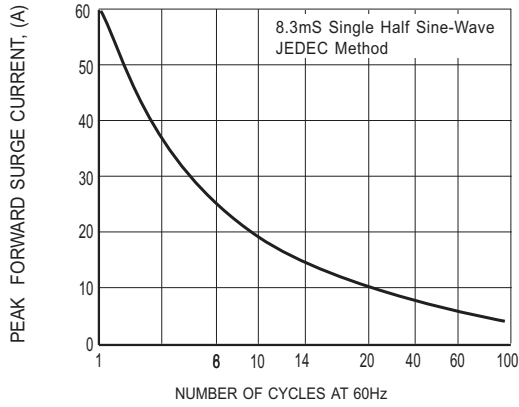


FIG. 1 - TYPICAL NON-REPETITIVE FORWARD SURGE CURRENT

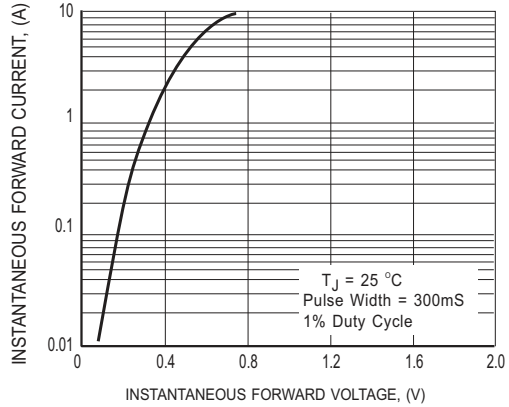


FIG. 2 MAXIMUM INSTANTANEOUS FORWARD CHARACTERISTICS

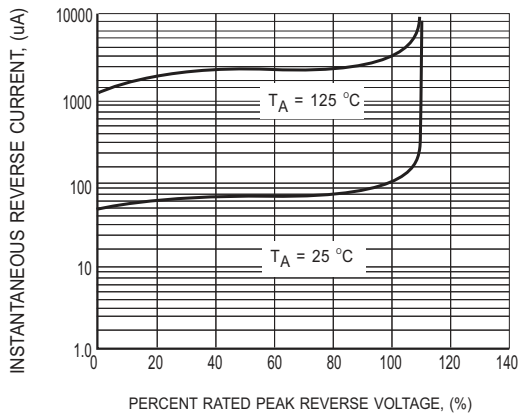


FIG. 3 MAXIMUM REVERSE CHARACTERISTICS

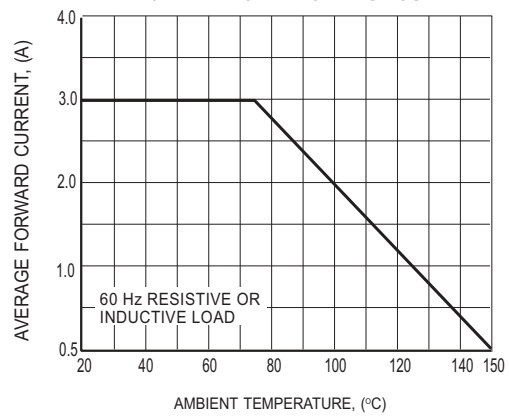
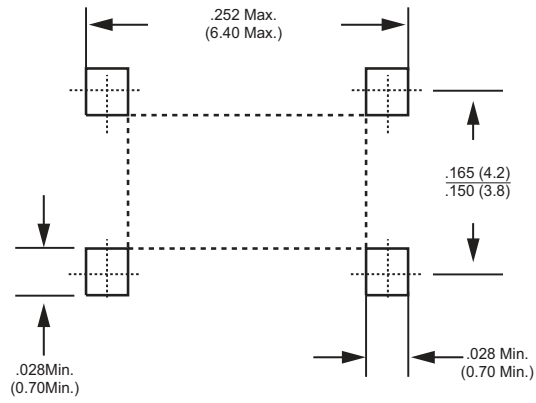


FIG. 4 TYPICAL FORWARD CURRENT DERATING CURVE

## Mounting Pad Layout



Dimensions in inches and (millimeters)

# REEL TAPING SPECIFICATIONS FOR SURFACE MOUNT DEVICES-SLDBS

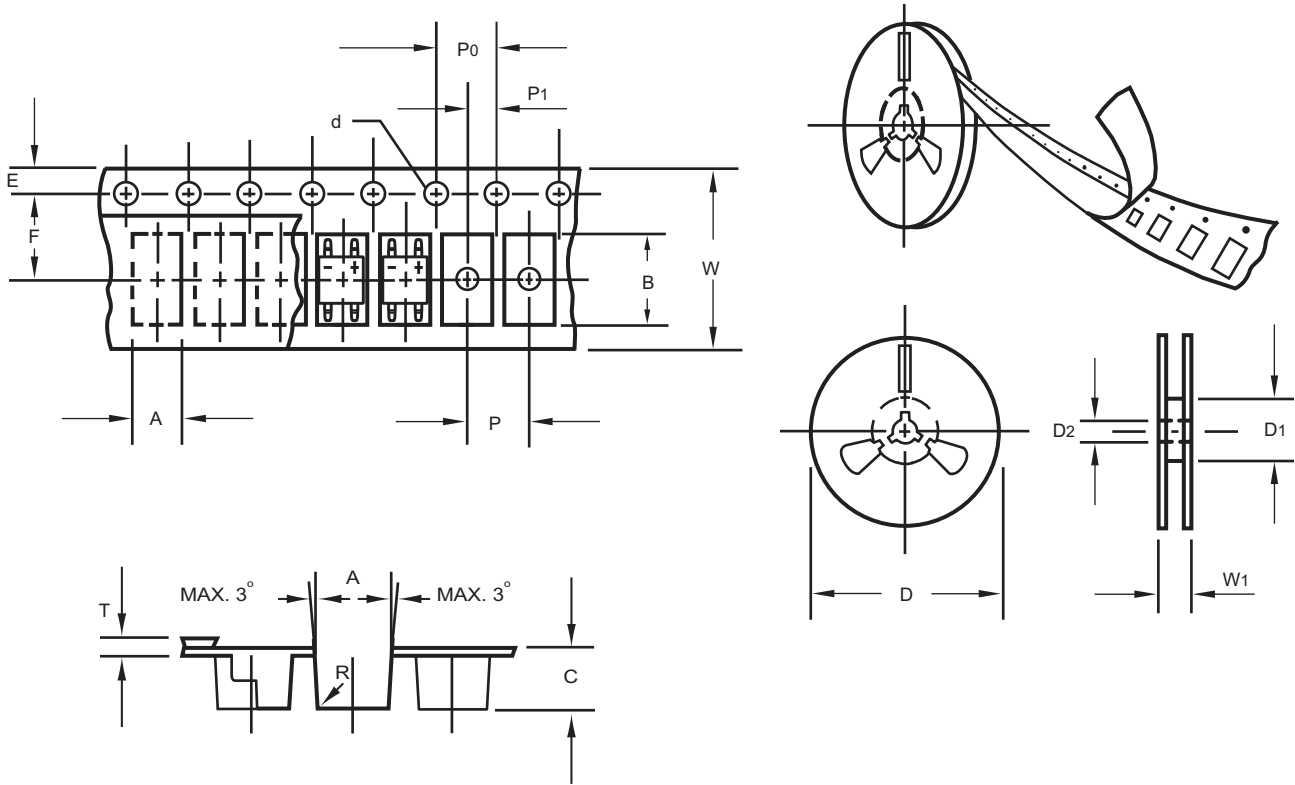
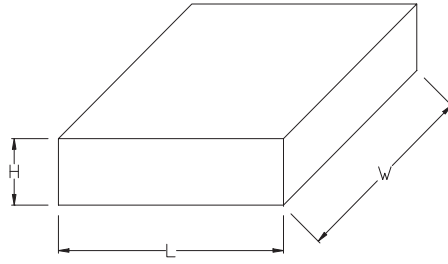


Fig.: Configuration of SLDBS TAPING

| ITEM                  | SYMBOL | SLDBS mm(inch)              |
|-----------------------|--------|-----------------------------|
| Carrier width         | A      | 6.0 ± 0.1 (0.236 ± 0.004)   |
| Carrier length        | B      | 8.30 ± 0.1 (0.327 ± 0.004)  |
| Carrier depth         | C      | 2.5 ± 0.1 (0.098 ± 0.004)   |
| Sprocket hole         | d      | 1.5 ± 0.1 (0.059 ± 0.004)   |
| Reel outside diameter | D      | 330 ± 2.0 (13.0 ± 0.079)    |
| Reel inner diameter   | D1     | 50 Min.                     |
| Feed hole diameter    | D2     | 13 ± 0.5 (0.512 ± 0.020)    |
| Stroket hole position | E      | 1.5 ± 0.1 (0.059 ± 0.004)   |
| Punch hole position   | F      | 7.65 ± 0.05 (0.301 ± 0.002) |
| Punch hole pitch      | P      | 8.0 ± 0.1 (0.315 ± 0.004)   |
| Sprocket hole pitch   | P0     | 4.0 ± 0.1 (0.157 ± 0.004)   |
| Embossment center     | P1     | 4.0 ± 0.1 (0.157 ± 0.004)   |
| Totall tape thickness | T      | 0.6 Max.                    |
| Tape width            | W      | 16.0 ± 0.2 (0.630 ± 0.008)  |
| Reel width            | W1     | 24.0 ± 2.0 (0.945 ± 0.079)  |

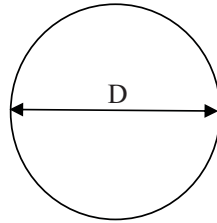
Note: 1.Devices are packed in accordance with EIA standard RS-481-A and specification given above.  
 2.13 inch ( 5000 ct. ) diameter reels.

1. BOX



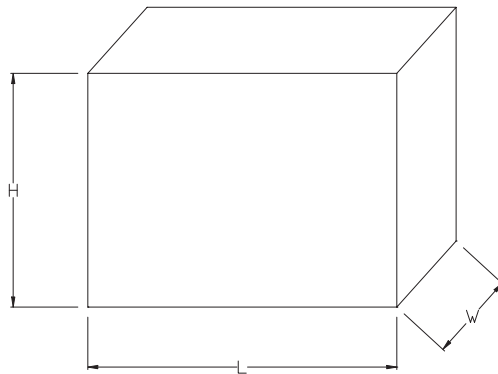
| Packing Code | L (mm) | W (mm) | H (mm) |
|--------------|--------|--------|--------|
| -T           | 340    | 340    | 40     |

2. REEL



| Packing Code | D (mm) |
|--------------|--------|
| -T           | 330    |

3. CARTON



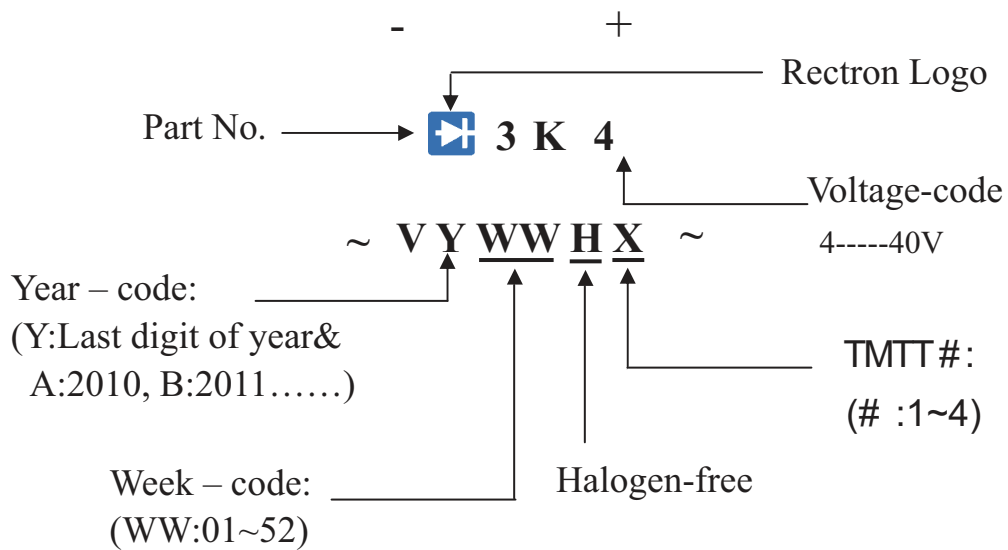
| Packing Code | L (mm) | W (mm) | H (mm) |
|--------------|--------|--------|--------|
| -T           | 355    | 360    | 360    |

## PACKAGING OF DIODE AND BRIDGE RECTIFIERS

### REEL PACK

| PACKAGE | PACKING CODE | EA PER REEL | EA PER INNER BOX | COMPONENT SPACE (mm) | TAPE SPACE (mm) | REEL DIA (mm) | CARTON SIZE (mm) | EA PER CARTON | GROSS WEIGHT(Kg) |
|---------|--------------|-------------|------------------|----------------------|-----------------|---------------|------------------|---------------|------------------|
| SLDBS   | -T           | 5,000       | 10,000           | ---                  | ---             | 330           | 360*355*360      | 80,000        | 16.18            |

## Marking Description



## DISCLAIMER NOTICE

Rectron Inc reserves the right to make changes without notice to any product specification herein, to make corrections, modifications, enhancements or other changes. Rectron Inc or anyone on its behalf assumes no responsibility or liability for any errors or inaccuracies. Data sheet specifications and its information contained are intended to provide a product description only. "Typical" parameters which may be included on RECTRON data sheets and/ or specifications can and do vary in different applications and actual performance may vary over time. Rectron Inc does not assume any liability arising out of the application or use of any product or circuit.

Rectron products are not designed, intended or authorized for use in medical, life-saving implant or other applications intended for life-sustaining or other related applications where a failure or malfunction of component or circuitry may directly or indirectly cause injury or threaten a life without expressed written approval of Rectron Inc. Customers using or selling Rectron components for use in such applications do so at their own risk and shall agree to fully indemnify Rectron Inc and its subsidiaries harmless against all claims, damages and expenditures.