

NOTES

1. 嵌合相手: 502056シリーズ.
MATE WITH: 502056 SERIES.

△2 製品番号は以下の内容を示す。
THE MATERIAL No. SHOWS THE FOLLOWING CONTENT.
<MATERIAL No.>

502055-**4*

極数 CIRCUIT SIZE

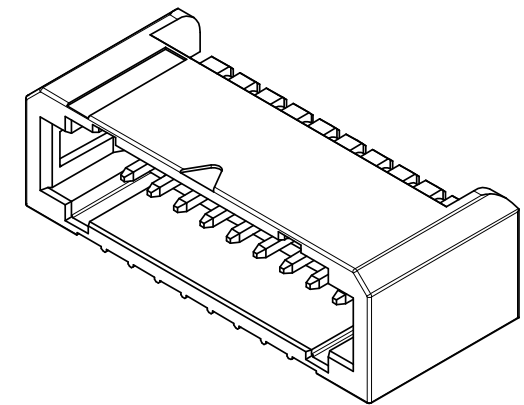
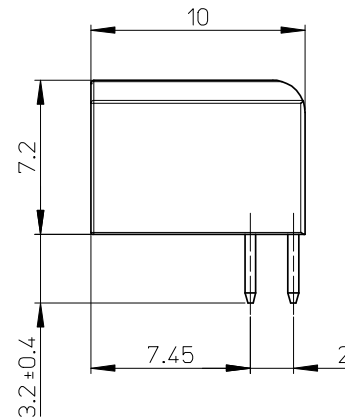
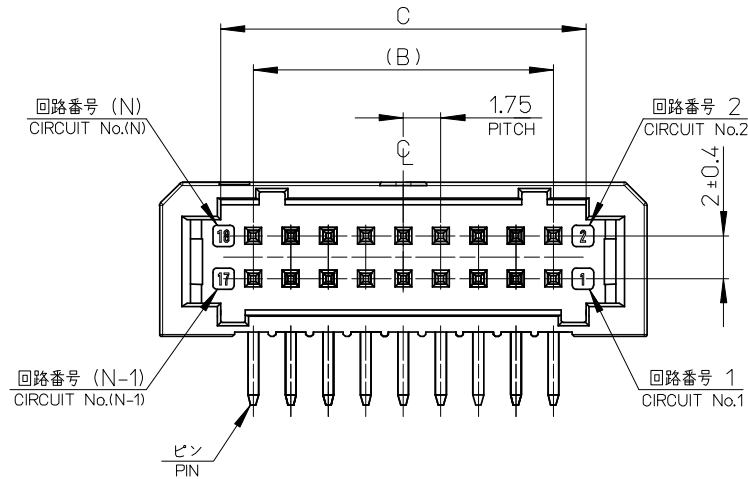
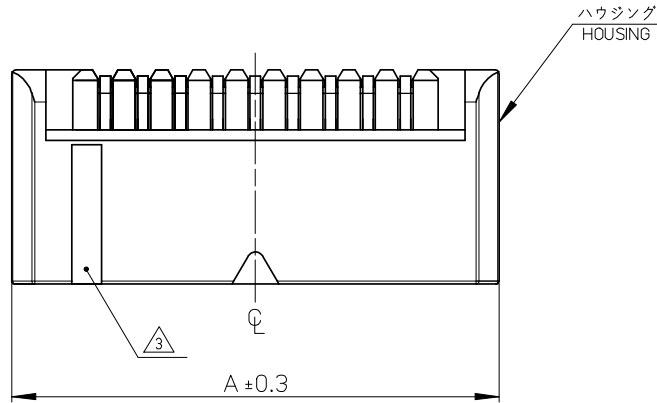
色 COLOR
形状: ボスなし
キンクなし
WITHOUT BOSS
WITHOUT KINK

自然色 NATURAL	0	全極数
赤 RED	2	全極数
青 BLUE	4	全極数
緑 GREEN	6	全極数
茶 BROWN	7	全極数
紫 PURPLE	9	12極, 18極
△2 色 COLOR	COLOR No.	適応極数 ADAPTATION CIRCUIT

△3 溝形状は射出成形時のゲートの逃がしとして設定しております。
THE DITCH SHAPE ARE DESIGNED FOR A GATE OFFSET WHEN MOLDING.

4. ELV及びRoHS適合品
ELV AND RoHS COMPLIANT.

5. 製品の取り扱いについては、コネクタ取り扱い説明書(AS-502056-001)を参照願います。
PLEASE REFER TO INSTRUCTION MANUAL (AS-502056-001) FOR 1.75 W/B CONN. DUAL ROW



SEE NOTE △2 注記 △2 参照	17.05	14	22.75	502055-184*	18	502055-**4*
	13.55	10.5	19.25	502055-144*	14	
	11.8	8.75	17.5	502055-124*	12	
	10.05	7	15.75	502055-104*	10	
	8.3	5.25	14	502055-084*	8	
適応色 ADAPTATION COLOR	C	B	A	△2 製品番号 MATERIAL No.	極数 CIRCUIT	MODEL No.

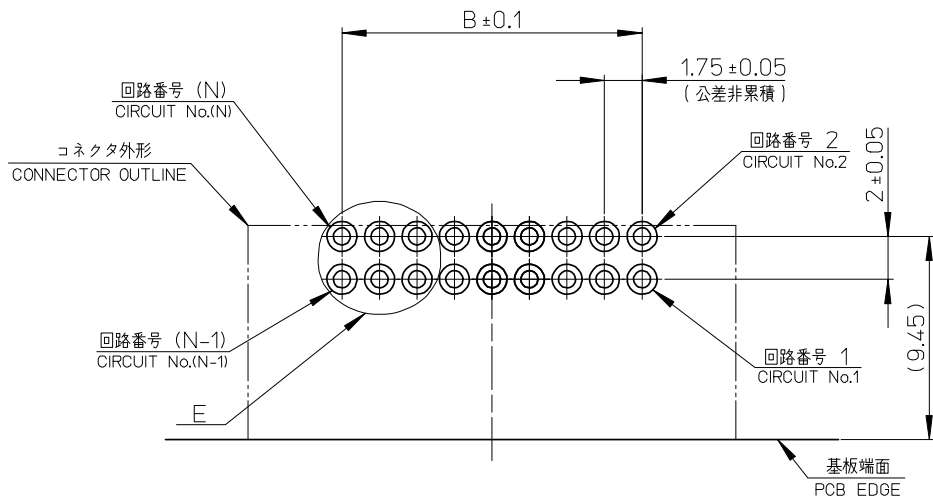
部品 PART	材質 MATERIAL
ハウジング HOUSING	66ナイロン(ガラス入り), UL94V-0 色: NOTE △2 参照 66NYLON (G.F.), UL94V-0 COLOR: SEE NOTE △2.
ピン PIN	黄銅, 錫めっき BRASS, Sn PLATED

REVISED
EC NO: J2008-2735
DRW: R.TSURIUOKA 2008/01/25
CHK: D.THARUYAMA 2008/01/28
APP: R.NUKITA 2008/01/28

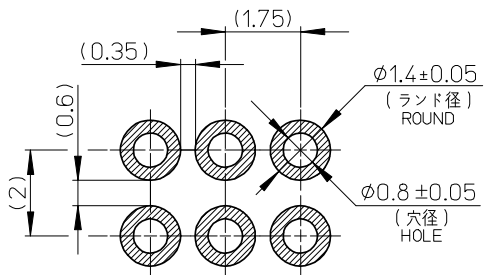
GENERAL TOLERANCES (UNLESS SPECIFIED)
10 UNDER ±0.2
10 OVER 30 UNDER ±0.25
30 OVER ±0.3
ANGULAR ±3 °
DRAFT WHERE APPLICABLE MUST REMAIN WITHIN DIMENSIONS

DIMENSION STYLE
MM ONLY
DRAWN BY DATE
S. AKIYAMA 2007/05/31
CHECKED BY DATE
N. MATSUURA 2007/05/31
APPROVED BY DATE
Y.O. ITO 2007/05/31
MATERIAL No.
SEE TABLE
SIZE
A3

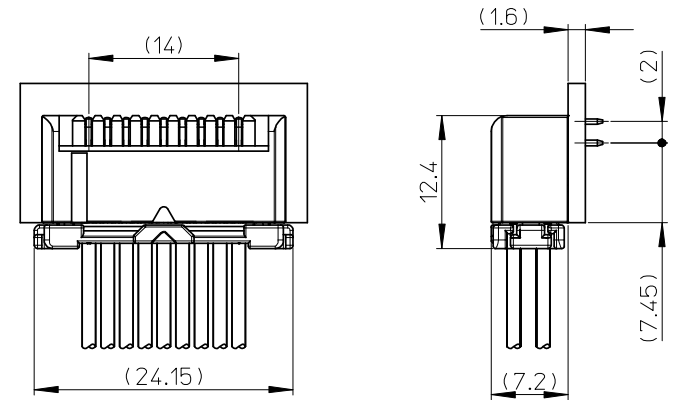
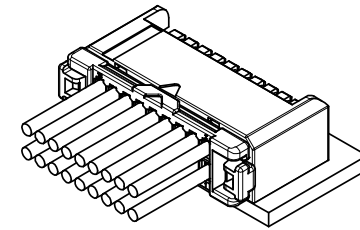
SCALE 4:1
DESIGN UNITS METRIC
THIRD ANGLE PROJECTION
TITLE
1.75 W/B CONN. DUAL ROW
R/A DIP PLUG HS'G ASS'Y
molex MOLEX INCORPORATED
DOCUMENT No. SD-502055-001
SHEET No. 1 OF 2
THIS DRAWING CONTAINS INFORMATION THAT IS PROPRIETARY TO MOLEX INCORPORATED AND SHOULD NOT BE USED WITHOUT WRITTEN PERMISSION



基板取付穴推奨寸法 (t=1.6) <参考>
 RECOMMENDED PCB HOLE DIMENSION (t=1.6) <REFERENCE>



DETAIL E
(SCALE:8-1)



18極 嵌合状態図 <参考>
 MATED CONNECTOR OF 18 CIRCUIT <REFERENCE>
 (502056-180*/502055-184*)
 (SCALE:2-1)

REVISED EC NO: J2008-2735 DRW: RITSURUOKA 2008/01/25 CH: K: THARUYAMA 2008/01/28 APPR: NUKITA 2008/01/28	GENERAL TOLERANCES (UNLESS SPECIFIED)		DIMENSION STYLE MM ONLY		SCALE 4:1	DESIGN UNITS METRIC	THIRD ANGLE PROJECTION	
	10 UNDER	±0.2	DRAWN BY S. AKIYAMA	DATE 2007/05/31	TITLE 1.75 W/B CONN. DUAL ROW R/A DIP PLUG HS'G ASS'Y			
	10 OVER 30 UNDER	±0.25	CHECKED BY N. MATSUURA	DATE 2007/05/31				
	30 OVER	±0.3	APPROVED BY YO. ITO	DATE 2007/05/31	MOLEX INCORPORATED			
	ANGULAR	±3 °	MATERIAL NO. SEE SHEET 1					
DRAFT WHERE APPLICABLE MUST REMAIN WITHIN DIMENSIONS		SIZE A3	THIS DRAWING CONTAINS INFORMATION THAT IS PROPRIETARY TO MOLEX INCORPORATED AND SHOULD NOT BE USED WITHOUT WRITTEN PERMISSION					