

Type MOCBP4-PM Modified Reset Circuit Breaker Automotive Type II Standard Mini Blade



www.optifuse.com (619) 593-5050

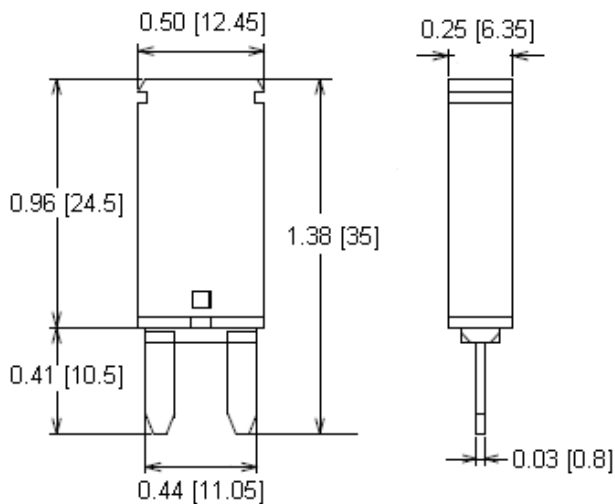
Specifications:

Mini Blade Modified Reset Type Circuit Breaker
Voltage: 14VDC
Amperage: 5A, 7.5A, 10A, 15A, 20A, 25A, 30A
Materials: Thermoplastic – (UL Rated 94-V-0)
Terminals: Tin plated Copper Alloy
Testing Standard: SAE J553 Type II
Cover is color coded to Amperage Ratings
Operating Temperature: -40° C ~ 85° C

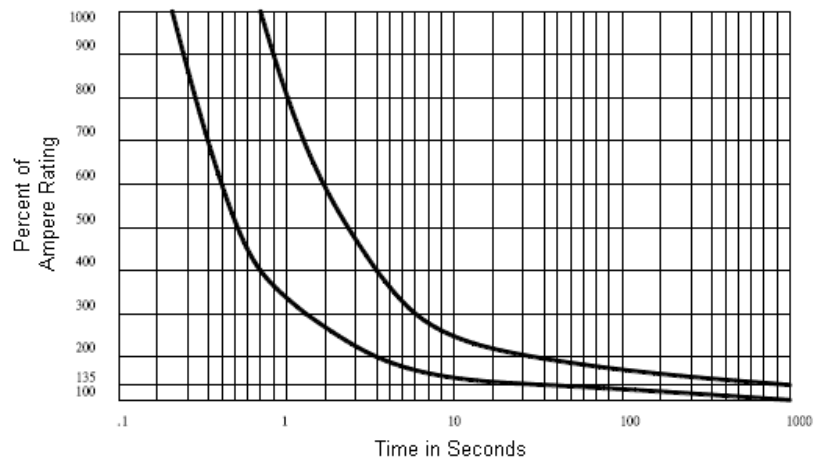
Part Number	Amperage	Body Color
MOCBP4-PM-5A	5A	Tan
MOCBP4-PM-7.5A	7.5A	Brown
MOCBP4-PM-10A	10A	Red
MOCBP4-PM-15A	15A	Blue
MOCBP4-PM-20A	20A	Yellow
MOCBP4-PM-25A	25A	White
MOCBP4-PM-30A	30A	Green

Ampere Rated	Interrupt Rating
5A-10A version	150A @ 14 VDC
15A version	225A @ 14 VDC
20A version	300A @ 14 VDC
25A-30A version	450A @ 14 VDC

Mechanical Dimensions: Inches [mm]



Part number: MOCBP4-PM
Time Current Curves



Warning:



-Operation beyond the specified maximum ratings or improper use may result in damage and possible electrical arcing and/or flame.
-Device are intended for occasional overcurrent protection. Application for repeated overcurrent condition and/or prolonged trip are not anticipated.
-Avoid contact of device with chemical solvent. Prolonged contact will damage the device performance.
-Not intended for submersible water applications.