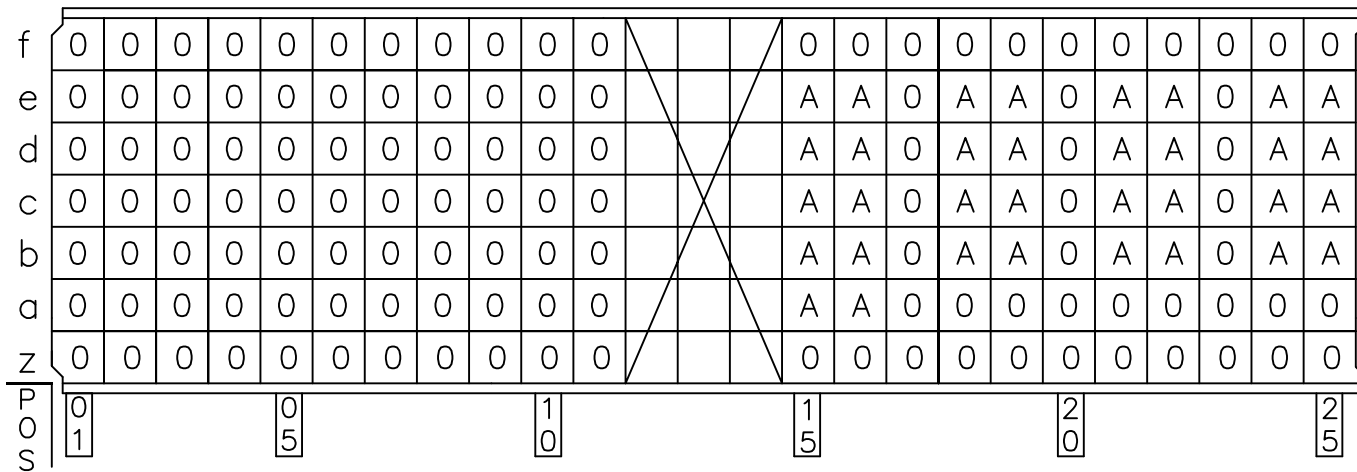
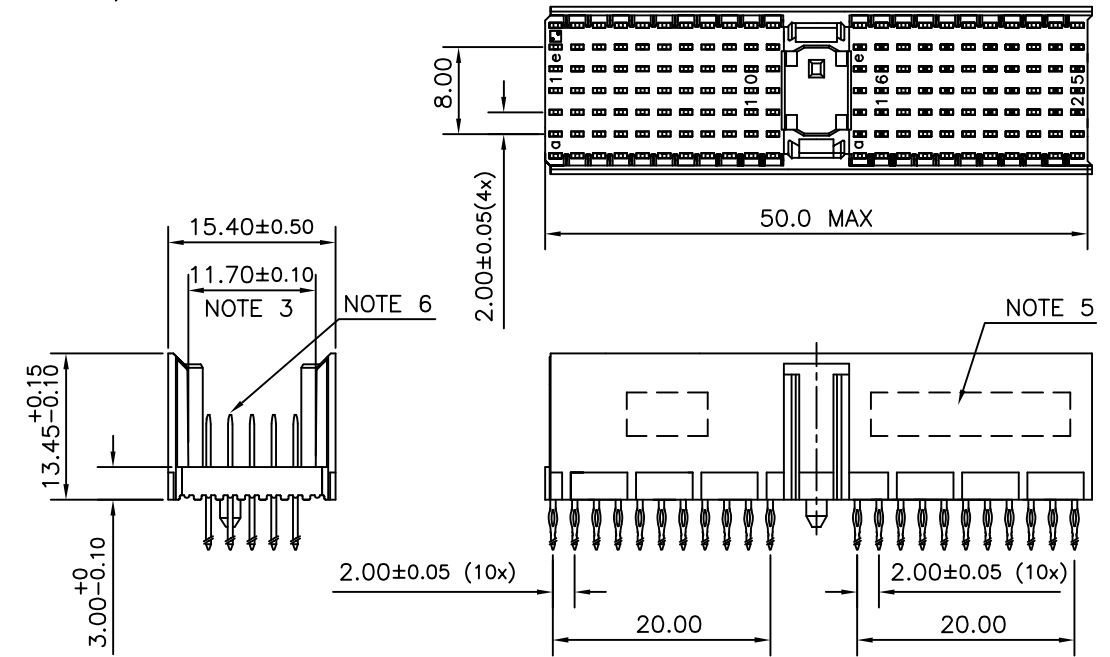


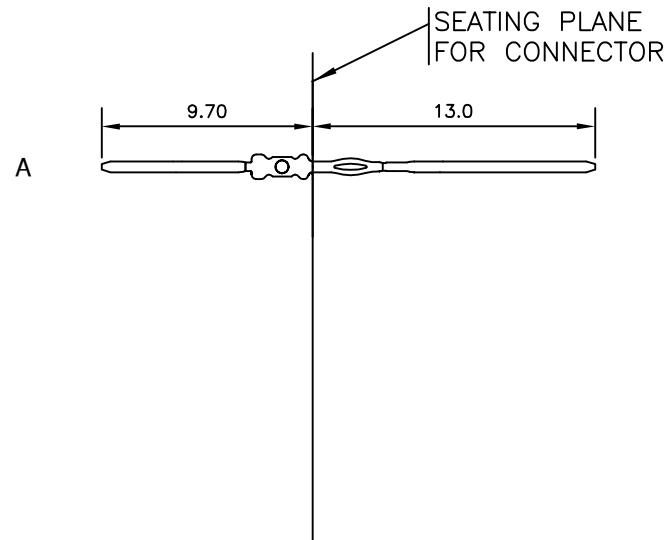
LOADING PATTERN MATING SIDE



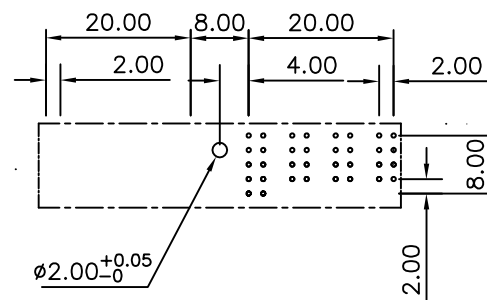
LOADED CONNECTOR ASSEMBLY (FOR EXAMPLE)



CONTACT OVERVIEW



LAY-OUT P.C.B.-HOLE



LEAD FREE INDICATOR : LF = LEAD FREE (DIGIT 15 & 16)

HM2P07PKE380

PLATING CODE (DIGIT 13 AND 14) (REF DRW NO. BS,C , 201844 , 003)

NOTES

- THIS PRODUCT IS CSA APPROVED.
- THIS PRODUCT IS UL RECOGNIZED.
- MEASURED AT THE BOTTOM.
- MATERIAL CONTACT: PHOSPHORBRONZE
HOUSING: CREAM WHITE GLASS FILLED POLYESTER UL-94V0
- CONNECTOR PRINTED WITH P/N AND DATE CODE.
- FOR ACTUAL CONTACT LOADINGS, SEE LOADING PATTERN MATING SIDE.
- SHAPE OF CONNECTOR HOUSING CAN ALTER DEPENDING ON PRODUCTION LOCATION
- THE PRODUCT (LF) MEETS EUROPEAN UNION DIRECTIVES AND OTHER COUNTRY REGULATIONS AS DESCRIBED IN GS-22-008
- FOR RECOMMENDED PTH DIMENSIONS REFER DRAWING : BS, A , 201572 , 001

CATALOG NO: HM2P07PKE380- ---

mat'l. code		surface		tolerance		projection		product family	
SEE NOTE 4		ISO 1302		ISO 406 ISO 1101				MLLIPACS	
ltr		ecn no	dr	date		tolerances unless otherwise specified		title	
A	I04-0037	MINI	2004/05/15	2004/05/15		.0±0.2		MPACS 5+2R STR HDR PF CONN TYPE A	
B	I05-0188	MINI	2005/10/13	angles	linear	.00±0.1		MM	
C	I06-0090	MINI	2006/06/27	0°±1°		scale -		scale -	
sheet index		revision sheet	c	dr		engr		dwg no	
1		1	1	MINI K VANDANATH		2004/05/15		sheet 1 of 1	
				engr		2004/05/15		size	
				chr		2006/06/27		A3	
				appd		2006/06/27		type	
				Product		Customer		Drawing	
				Drawing					