

THIS DRAWING IS UNPUBLISHED.

RELEASED FOR PUBLICATION

© COPYRIGHT BY TYCO ELECTRONICS CORPORATION.

ALL INTERNATIONAL RIGHTS RESERVED.

LOC FT DIST 0

REVISIONS

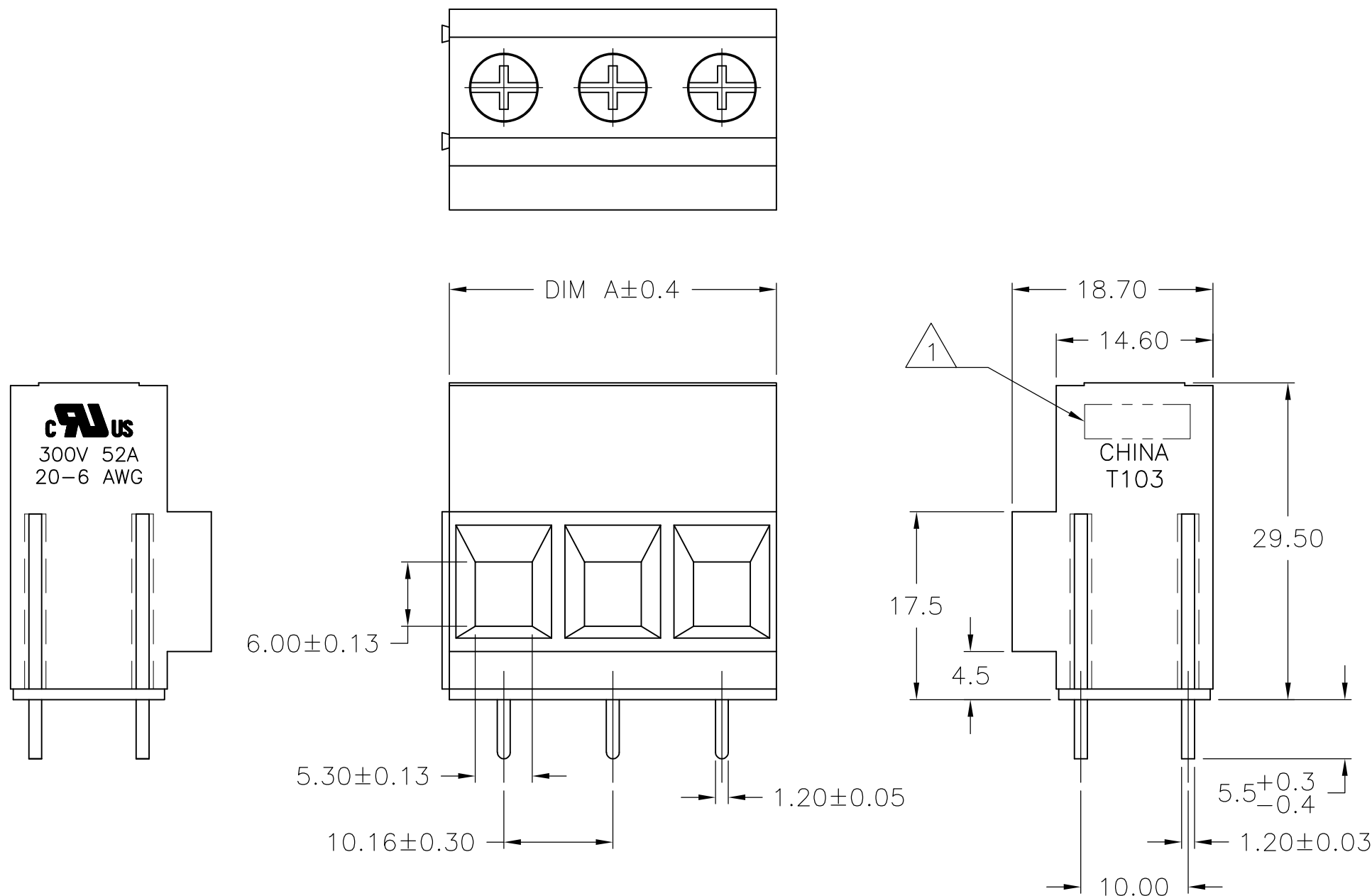
P	LTR	DESCRIPTION	DATE	DWN	APVD
	B7	REVISED PER ECO-10-009456	10MAY10	HMR	CR

MATERIAL:
 HOUSING: PA66, UL94V-0, COLOR: SEE TABLE
 PIN: BRASS, TIN PLATED
 WIRE GUARD: BRASS, NICKEL PLATED
 SCREWS: M4, STEEL, ZINC PLATED

ELECTRICAL:
 VOLTAGE RATING: 300V
 CURRENT RATING: 52A
 CONTACT RESISTANCE: 200mohm
 INSULATION RESISTANCE: 5000Mohm/1000V
 WITHSTANDING VOLTAGE: AC2000V/1 MIN
 WIRE RANGE: 6-8 STRANDED AND
 10-20 SOLID OR STRANDED

MECHANICAL:
 WORKING TEMP.: -40°C TO +105°C
 MAX SOLDERING: +250°C FOR 5 SEC.
 TIGHTENING TORQUE: 10.16 IN-LB

△ 1 TE LOGO LOCATED IN APPROXIMATE AREA SHOWN.



COLOR	DIM A	NO OF POS	PART NUMBER
BLACK	30.48	3	1-1776886-3
BLACK	20.32	2	1-1776886-2
GREEN	30.48	3	1776886-3
GREEN	20.32	2	1776886-2

THIS DRAWING IS A CONTROLLED DOCUMENT.		DWN S SCHLEGEL 25AUG2006	Tyco Electronics Corporation Harrisburg, PA 17105-3608	
DIMENSIONS: mm		CHK -	NAME	
TOLERANCES UNLESS OTHERWISE SPECIFIED:		APVD -	PRODUCT SPEC	
0 PLC ± -		PRODUCT SPEC -	APPLICATION SPEC	
1 PLC ± 0.3		APPLICATION SPEC -	SIZE	RESTRICTED TO
2 PLC ± 0.25		APPLICATION SPEC -	CAGE CODE	
3 PLC ± -		APPLICATION SPEC -	DRAWING NO	
4 PLC ± -		APPLICATION SPEC -	RESTRICTED TO	
ANGLES ± -		WEIGHT -	A3 00779	C-1776886
MATERIAL -		FINISH -	CUSTOMER DRAWING	
			SCALE 2:1	SHEET 1 OF 1
				REV B7