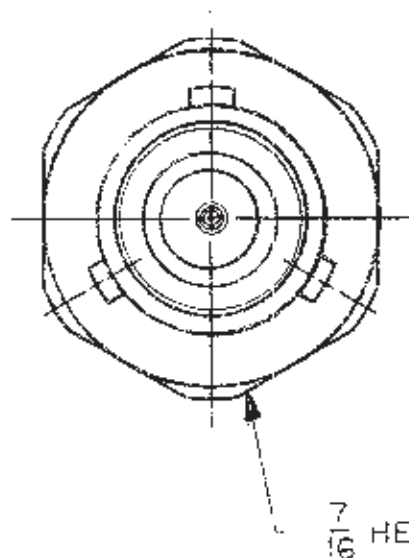
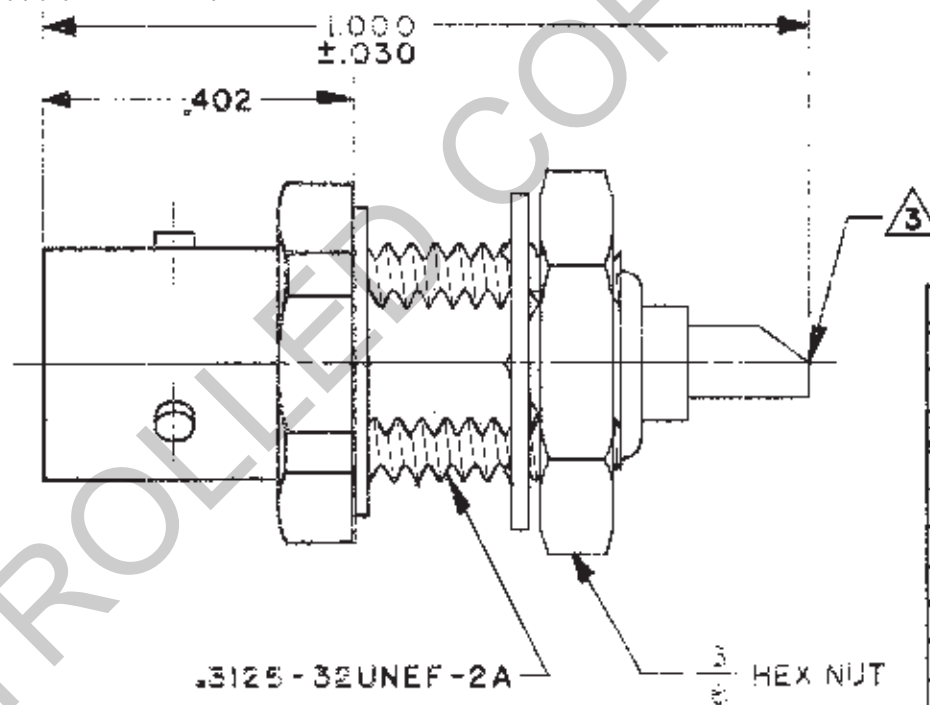


**RECOMMENDED
PANEL CUTOUT**
SCALE: 2/1



7/16 HEX

REVISIONS				1000-0403	SH :
REV	EO	DESCRIPTION	DWN	APPROVED	DATE
A	2465	MODEL WAS BU-57	MCW	<i>[Signature]</i>	7-2-73
B	2800	FINISH WAS TFS-1B (GOLD)	POB	<i>[Signature]</i>	3-12-75
C	2908	REV PL ITEMS 5 & 6 PN	CU	<i>[Signature]</i>	7-8-75
D	3366	ITEM 4PN WAS 8000-1274	CU	<i>[Signature]</i>	7-8-76
E	7239	3/8 HEX WAS 7/16 HEX	CKH	F3 <i>[Signature]</i>	9-29-86



.3125-32UNEF-2A

3/8 HEX NUT

INCH	MM
.005	0.13
.030	0.76
.039	0.99
.218	5.54
.281	7.14
.285	7.24
.317	8.05
.321	8.15
.402	10.21
1.000	25.40

5. MAX PNL THK .218
4. TPS SOLDER POT BULKHEAD MOUNT JACK
3. SOLDER POT ACCEPTS .039 DIA CONDUCTOR
2. FINISH: TFS-1A (NICKEL)
1. ALL DIM ARE IN INCHES

6000-0835	
6000-0216	
NEXT ASSY	

QTY	DESCRIPTION	PART NUMBER	ITEM
TOL UNLESS SPECIFIED .XX ± .XXX ±.005 .XXXX ± ANGLES ±			
DWN	JKR 7-10-73		
CHK	<i>[Signature]</i> 8-29-73		14949
ENGR	<i>[Signature]</i> 9-7-73		
APPR	<i>[Signature]</i> 11-73	SCALE 4/1	DATE 9-11-73
		DRAWING NO.	REV
		1000-0403	E
		SHEET 1 OF 2	