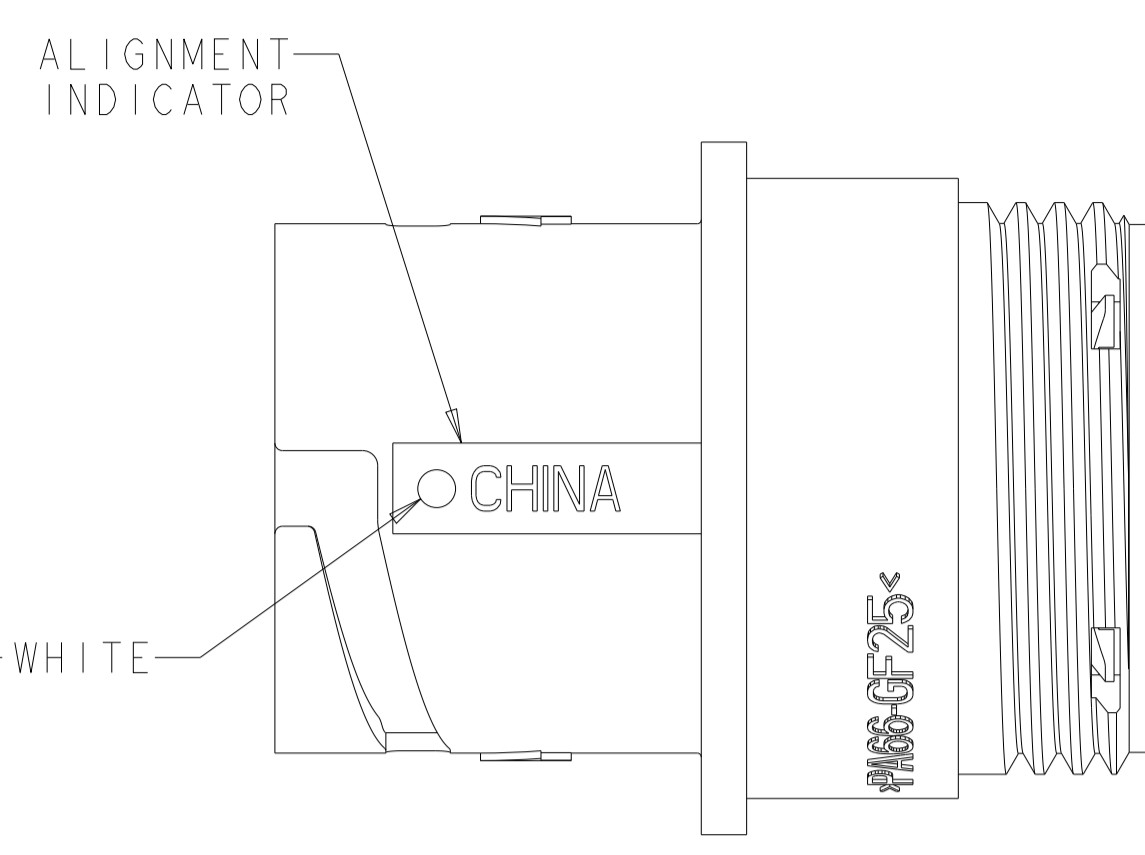
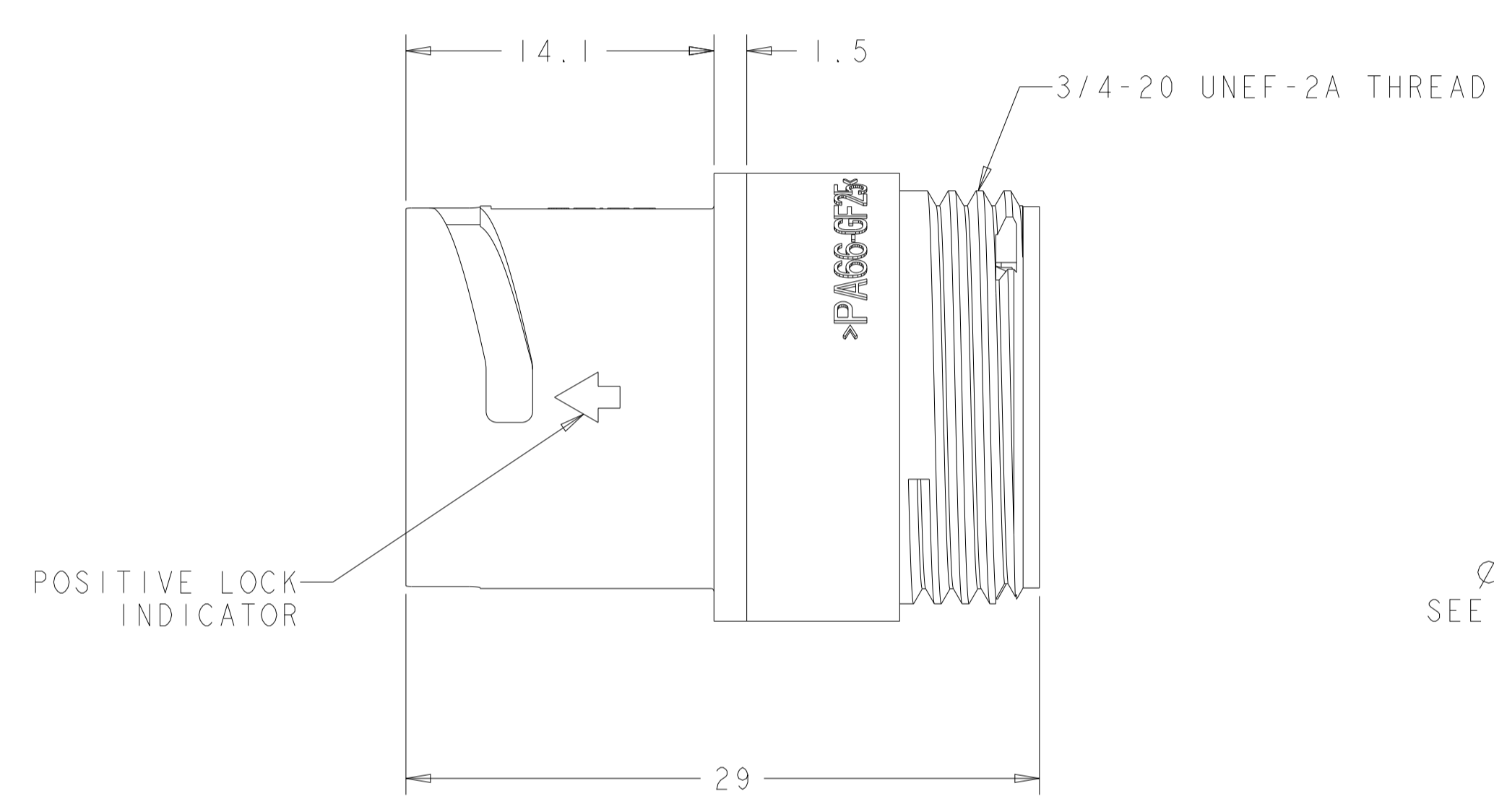
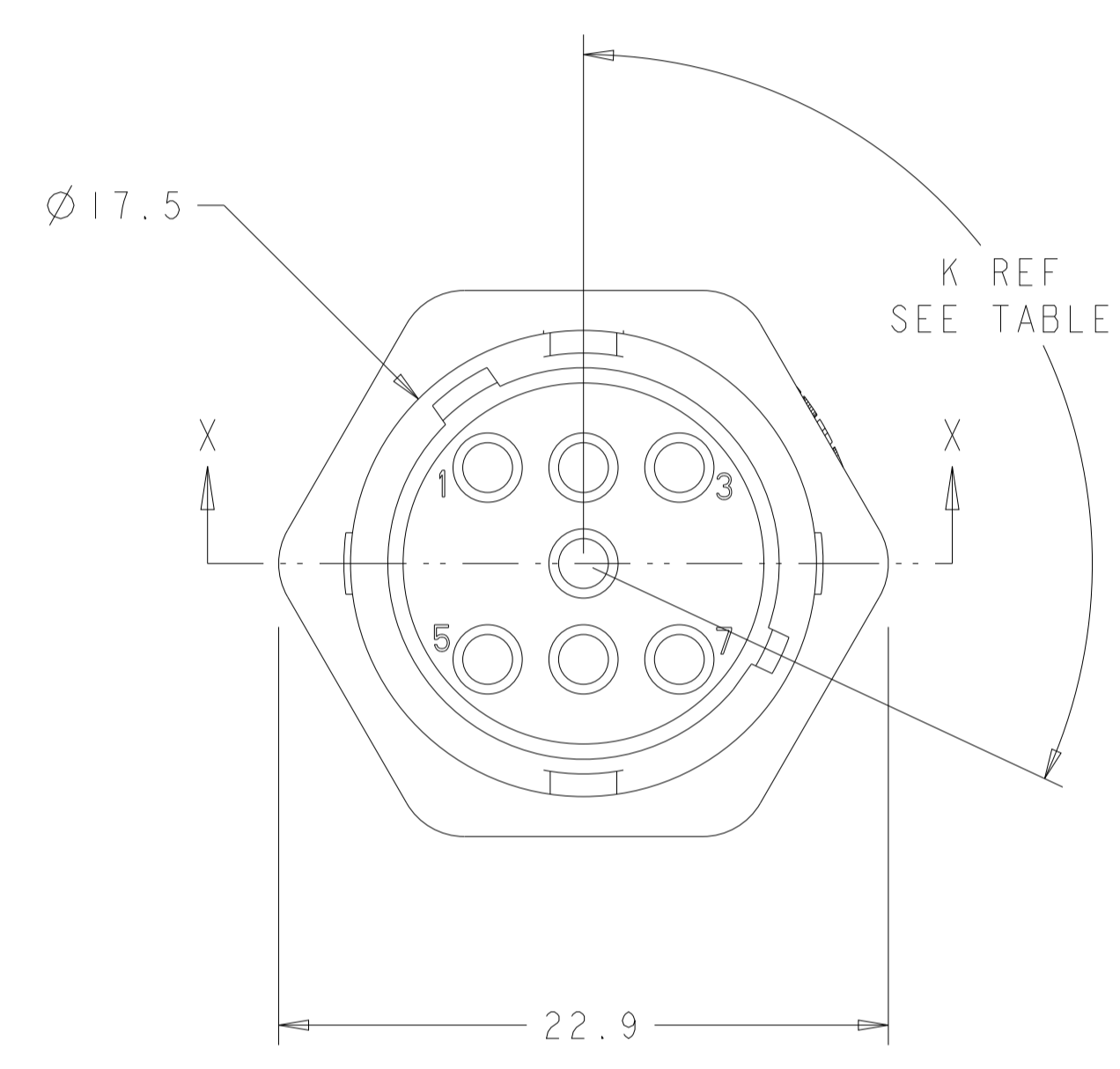


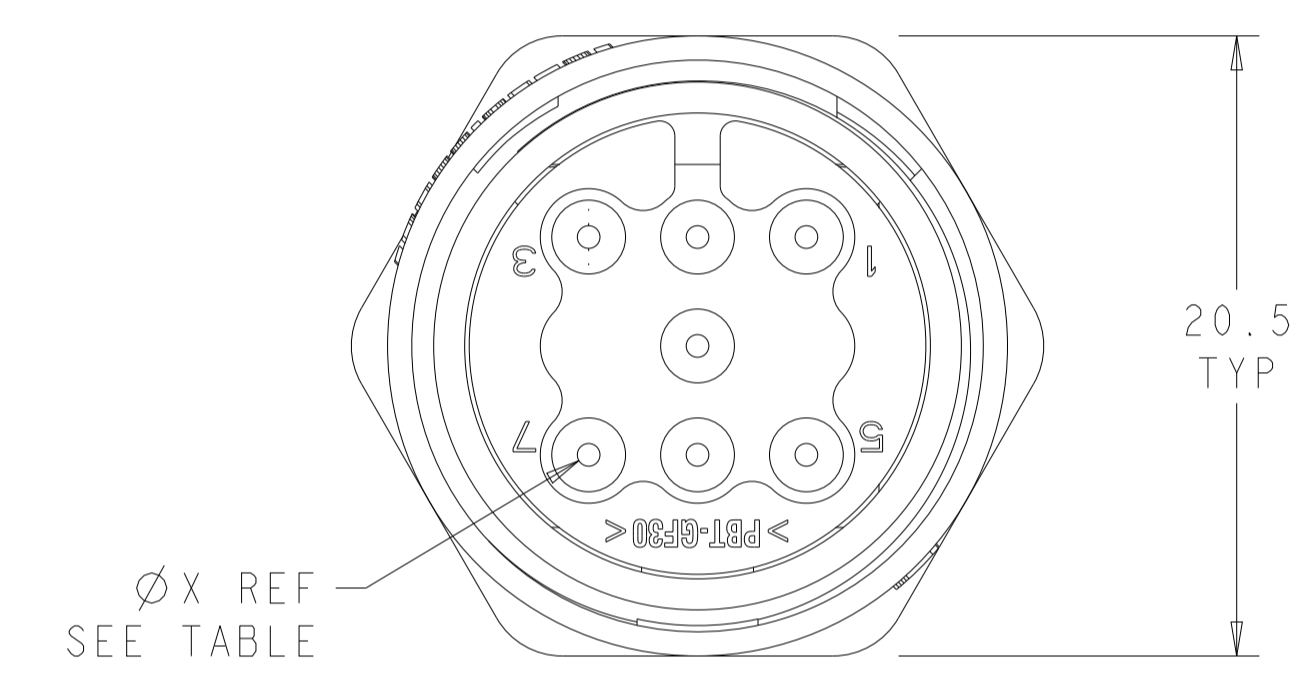
REVISIONS				
P	LTN	DESCRIPTION	DATE	OWN APVD
D		REVISED PER ECN-22-136865	01FEB2022	RK MZ



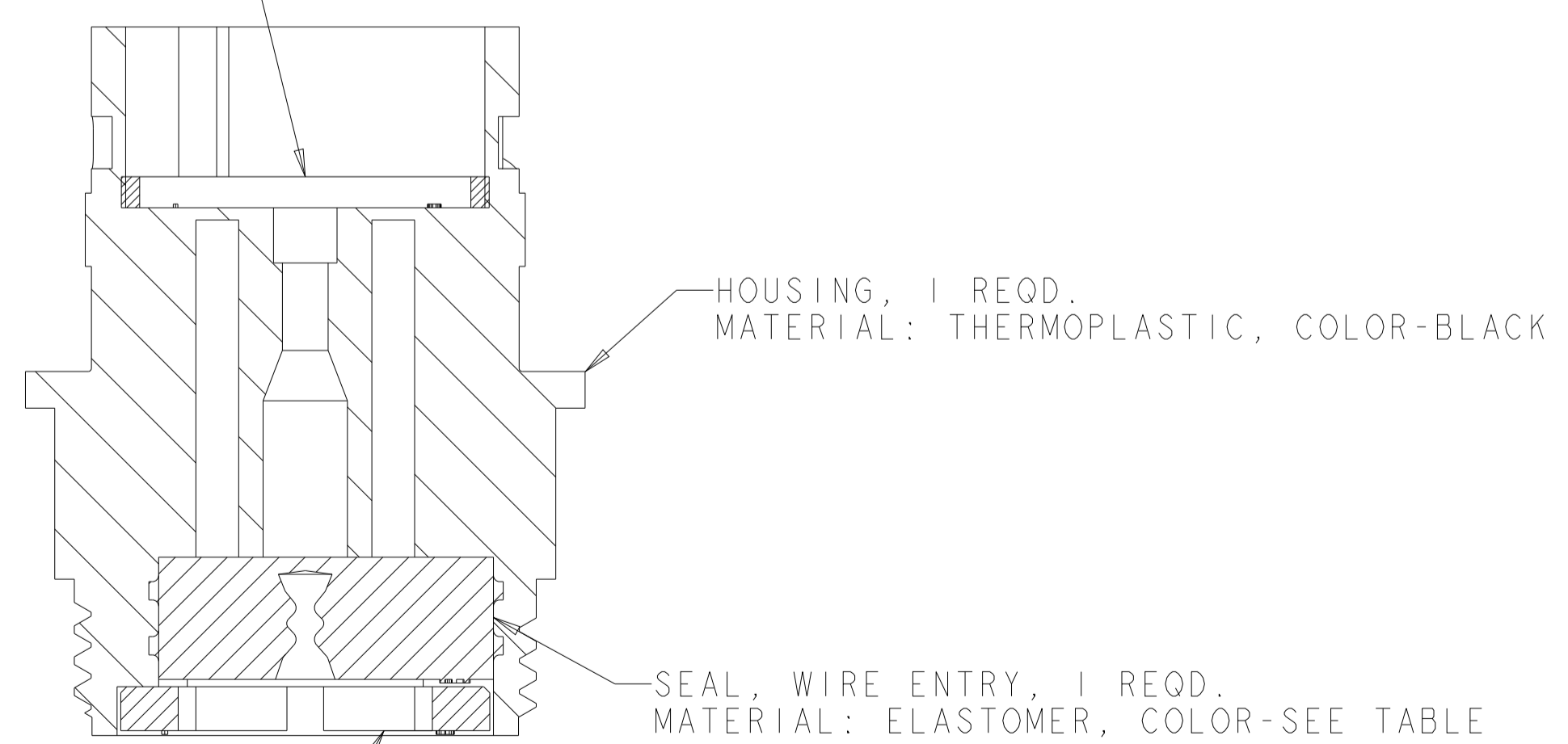
ALIGNMENT DOT, COLOR-WHITE



POSITIVE LOCK INDICATOR



SEAL, PERIPHERAL, 1 REQD.
 MATERIAL: ELASTOMER, COLOR-BLACK



RETAINER, SEAL, 1 REQD.
 MATERIAL: THERMOPLASTIC, COLOR-BLACK

SECTION X-X

OBSELETE	YELLOW	Ø0.75	135°	1445827-04
	NATURAL	Ø1.5	115°	1445827-03
OBSELETE	NATURAL	Ø1.5	135°	1445827-02
	YELLOW	Ø0.75	115°	1445827-01
	SEAL, WIRE ENTRY COLOR	Ø X REF	K REF	PART NUMBER

THIS DRAWING IS A CONTROLLED DOCUMENT.

OWN: SHANE WIESE 22OCT2001
 CHK: G DOUTY 22OCT2001

APVD: H. WAKEEM 13JUN2003

NAME: ASSEMBLY, SIZE 11, 7 POSITION, FREE HANGING, SEALED, MINI CPC

SIZE: A1 CAGE CODE: 100779 DRAWING NO: 1445827

RESTRICTED TO: -

MATERIAL: SEE CALLOUT

WEIGHT: -

CUSTOMER DRAWING

SCALE: 4:1 SHEET 1 OF 1 REV D

TE Connectivity