

SACCBP-FS-8CON-M16/3,0-PUR SCO - Device connector, rear mounting



1408786

<https://www.phoenixcontact.com/pc/products/1408786>

Please be informed that the data shown in this PDF document is generated from our online catalog. Please find the complete data in the user documentation. Our general terms of use for downloads are valid.



Device connector, rear mounting, 8-position, PUR, black-gray RAL 7021, Socket, straight, M12-SPEEDCON, coding: A , on free cable end, Rear mounting, M16 x 1.5, Individual wires, cable length: 3 m, 0.25 mm², PUR halogen-free black, Alternative product in accordance with RoHS II without Exemption 6c (Pb <0.1%) item no.: 1238792

Your advantages

- Preassembled with cables in various standard lengths for immediate use
- Customer-specific assemblies and cable lengths can be supplied
- Sealed on the cable side for optimum tightness of seal
- For high transmission safety: shield connection to the housing with optional EMC nut

Commercial data

Item number	1408786
Packing unit	1 pc
Minimum order quantity	20 pc
Product key	ABQDGG
GTIN	4046356837620
Weight per piece (including packing)	184.4 g
Weight per piece (excluding packing)	176 g
Customs tariff number	85444290
Country of origin	DE

SACCBP-FS-8CON-M16/3,0-PUR SCO - Device connector, rear mounting



1408786

<https://www.phoenixcontact.com/pc/products/1408786>

Technical data

Notes

General	The electrical and mechanical data specified assume that the connector pair is correctly locked and mounted. If the connector is unlocked and if there is a danger of contamination, the connector must be sealed using a protective cap > IP54. Influences arising from litz wires, cables or PCB assembly must also be taken into consideration.
---------	--

Mounting

Mounting type	Rear mounting M16 x 1.5 With flat nut
Assembly instructions	With flat nut
Connection method	Individual wires

Product properties

Product type	Circular connectors (device side)
Number of positions	8
No. of cable outlets	1
Shielded	yes
Coding	A

Insulation characteristics

Overvoltage category	II
Degree of pollution	3

Material specifications

Flammability rating according to UL 94	V0
Seal material	FKM
Contact material	CuZn
Contact surface material	Au
Contact carrier material	PA 6.6
Material for screw connection	Zinc die-cast, nickel-plated
Outer sheath, material	PUR
Conductor material	Bare Cu litz wires

Electrical properties

Rated surge voltage	0.8 kV
Contact resistance	$\leq 3 \text{ m}\Omega$
Insulation resistance	$\geq 100 \text{ M}\Omega$
Nominal voltage U_N	30 V
Nominal current I_N	2 A
Max. conductor resistance	78 Ω/km

SACCBP-FS-8CON-M16/3,0-PUR SCO - Device connector, rear mounting



1408786

<https://www.phoenixcontact.com/pc/products/1408786>

Connection data

Conductor connection

Connection method	Individual wires
Tightening torque	3 Nm
	4 Nm

Mechanical properties

Mechanical data

Insertion/withdrawal cycles	> 100
Max. bending cycles	4000000

Connector

Connection 1

Head design	Socket
Head cable outlet	straight
Head thread type	M12
Head locking type	SPEEDCON
Coding	A


Connection 2

Head design	free cable end
-------------	----------------

Cable/line

Cable length	3 m
--------------	-----

PUR halogen-free black [PUR]

Dimensional drawing	
Cable weight	53 kg/km
UL AWM Style	20549 / 10493 (80°C/300 V)
Number of positions	8
Shielded	yes
Cable type	PUR halogen-free black [PUR]
Conductor structure signal line	32x 0.10 mm
AWG signal line	24

SACCBP-FS-8CON-M16/3,0-PUR SCO - Device connector, rear mounting



1408786

<https://www.phoenixcontact.com/pc/products/1408786>

Conductor cross section	8x 0.25 mm ² (Signal line)
Wire diameter incl. insulation	1.17 mm ±0.02 mm
External cable diameter	5.9 mm ±0.2 mm
Outer sheath, material	PUR
External sheath, color	black-gray RAL 7021
Conductor material	Bare Cu litz wires
Material wire insulation	PP
Single wire, color	brown, white, green, yellow, gray, pink, blue, red
Thickness, insulation	approx. 0.2 mm
Thickness, outer sheath	approx. 0.5 mm
Overall twist	8 wires around filler to the core
Optical shield covering	85 %
Max. conductor resistance	≤ 78 Ω/km (at 20 °C)
Insulation resistance	≥ 1 GΩ*km (at 20 °C)
Nominal voltage, cable	≤ 300 V AC
Test voltage	≥ 3000 V AC (Spark test)
Test voltage Core/Shield	≥ 2000 V AC (for 60 s)
Minimum bending radius, fixed installation	5 x D
Minimum bending radius, flexible installation	10 x D
Max. bending cycles	2000000
Halogen-free	in accordance with DIN VDE 0472 part 815 according to IEC 60754-1
Flame resistance	in acc. with UL FT-2 according to UL 758/1581 (horizontal) in accordance with UL 758/1581 FT2 According to DIN EN 60332-2-2 (20 s)
Resistance to oil	in accordance with IEC 60811-404
Other resistance	hydrolysis and microbe resistant Resistant to salt water low-abrasion partly UV-resistant in accordance with DIN EN ISO 4892-2-A
Special properties	Flexible cable conduit capable
Ambient temperature (operation)	-40 °C ... 80 °C (cable, fixed installation) -25 °C ... 80 °C (Cable, flexible installation)

Environmental and real-life conditions

Ambient conditions

Degree of protection	IP67 (When plugged in)
	IP65 (When plugged in)
	IP65/IP67
Ambient temperature (operation)	-25 °C ... 85 °C (Plug / socket)
	-40 °C ... 85 °C (without mechanical actuation)

SACCBP-FS-8CON-M16/3,0-PUR SCO - Device connector, rear mounting



1408786

<https://www.phoenixcontact.com/pc/products/1408786>

	-25 °C ... 85 °C (Cable, flexible installation)
	-40 °C ... 85 °C (cable, fixed installation)

Standards and regulations

M12

Standard designation	M12 connector
Standards/specifications	IEC 61076-2-101

SACCBP-FS-8CON-M16/3,0-PUR SCO - Device connector, rear mounting

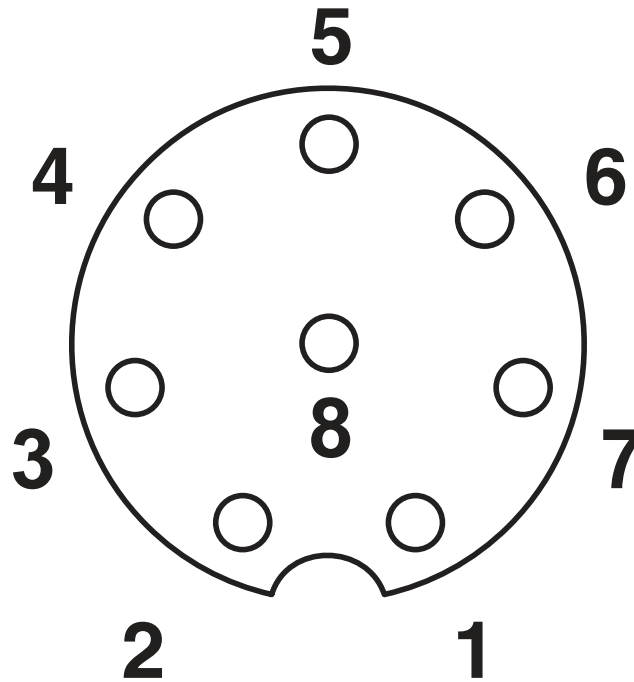


1408786

<https://www.phoenixcontact.com/pc/products/1408786>

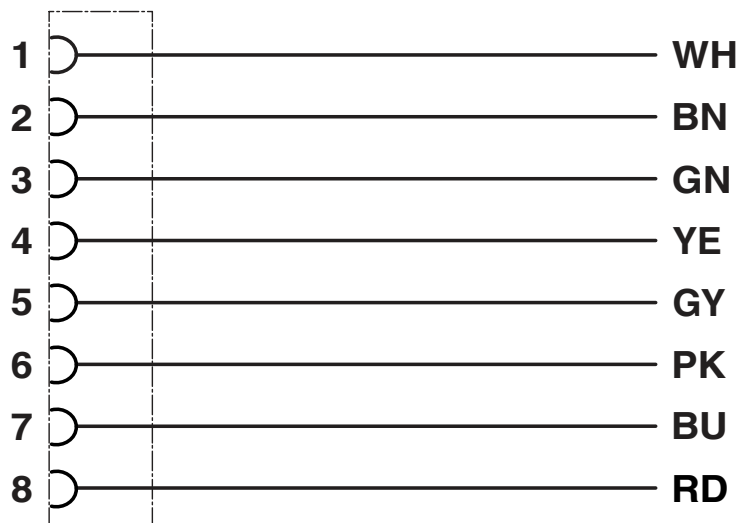
Drawings

Schematic diagram



Pin assignment M12 socket, 8-pos., A-coded, view female side

Circuit diagram



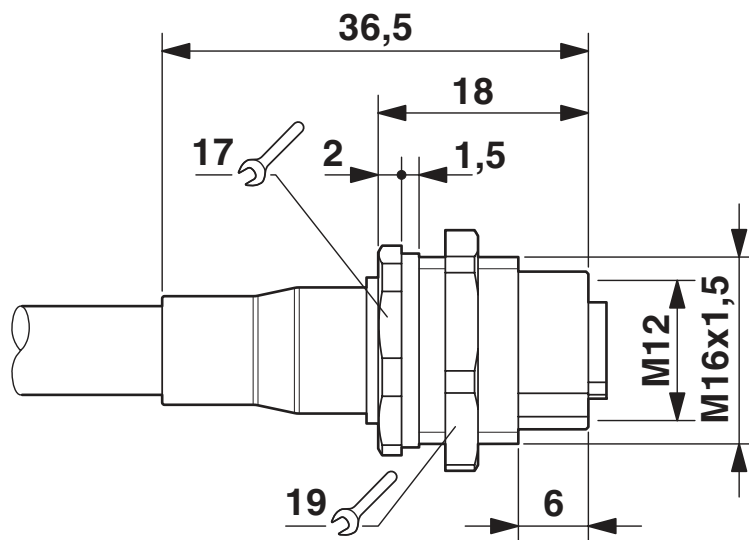
SACCBP-FS-8CON-M16/3,0-PUR SCO - Device connector, rear mounting



1408786

<https://www.phoenixcontact.com/pc/products/1408786>

Dimensional drawing



Dimensional drawing

SACCBP-FS-8CON-M16/3,0-PUR SCO - Device connector, rear mounting



1408786

<https://www.phoenixcontact.com/pc/products/1408786>

Approvals

To download certificates, visit the product detail page: <https://www.phoenixcontact.com/pc/products/1408786>



EAC

Approval ID: B.01687



cUL Recognized

Approval ID: E221474-20220908

	Nominal voltage U_N	Nominal current I_N	Cross section AWG	Cross section mm^2
	30 V	1.5 A	-	-



UL Recognized

Approval ID: E221474-20220908

	Nominal voltage U_N	Nominal current I_N	Cross section AWG	Cross section mm^2
	30 V	2 A	-	-

cULus Recognized

SACCBP-FS-8CON-M16/3,0-PUR SCO - Device connector, rear mounting



1408786

<https://www.phoenixcontact.com/pc/products/1408786>

Classifications

ECLASS

ECLASS-11.0	27440103
ECLASS-12.0	27440103
ECLASS-13.0	27440103

ETIM

ETIM 8.0	EC003570
----------	----------

UNSPSC

UNSPSC 21.0	39121400
-------------	----------

SACCBP-FS-8CON-M16/3,0-PUR SCO - Device connector, rear mounting



1408786

<https://www.phoenixcontact.com/pc/products/1408786>

Environmental product compliance

REACH SVHC	Lead 7439-92-1
China RoHS	Environmentally Friendly Use Period = 50 years
	For information on hazardous substances, refer to the manufacturer's declaration available under "Downloads"

SACCBP-FS-8CON-M16/3,0-PUR SCO - Device connector, rear mounting



1408786

<https://www.phoenixcontact.com/pc/products/1408786>

Accessories

SACC-M16-SEALING PLUG SET - Screw plug

1453368

<https://www.phoenixcontact.com/pc/products/1453368>



Screw plug, Rear mounting, M16 x 1.5, Alternative product in accordance with RoHS II without Exemption 6c (Pb <0.1%) item no.: 1239800

PROT-M12 - Screw plug

1680539

<https://www.phoenixcontact.com/pc/products/1680539>



An M12 screw plug for the unoccupied M12 sockets of the sensor/actuator cable, boxes and flush-type connectors

SACCBP-FS-8CON-M16/3,0-PUR SCO - Device connector, rear mounting



1408786

<https://www.phoenixcontact.com/pc/products/1408786>

PROT-M12 SH - Screw plug

1503302

<https://www.phoenixcontact.com/pc/products/1503302>



An M12 screw plug for the unoccupied M12 sockets of the shielded sensor/actuator cable, boxes and flush-type connectors

PROT-M12 FB - Screw plug

1555538

<https://www.phoenixcontact.com/pc/products/1555538>



M12 high-grade steel screw plug, for unoccupied M12 sockets of the sensor/actuator cables, boxes and flush-type connectors for the food industry

SACCBP-FS-8CON-M16/3,0-PUR SCO - Device connector, rear mounting



1408786

<https://www.phoenixcontact.com/pc/products/1408786>

SACC-M16-SEAL CLM - Flat gasket

1430394

<https://www.phoenixcontact.com/pc/products/1430394>

M16 flat gasket for M12 flush-type connectors with M16 fastening thread



Phoenix Contact 2023 © - all rights reserved
<https://www.phoenixcontact.com>

PHOENIX CONTACT GmbH & Co. KG
Flachmarktstraße 8
D-32825 Blomberg
+49 (0) 5235-3 00
info@phoenixcontact.com