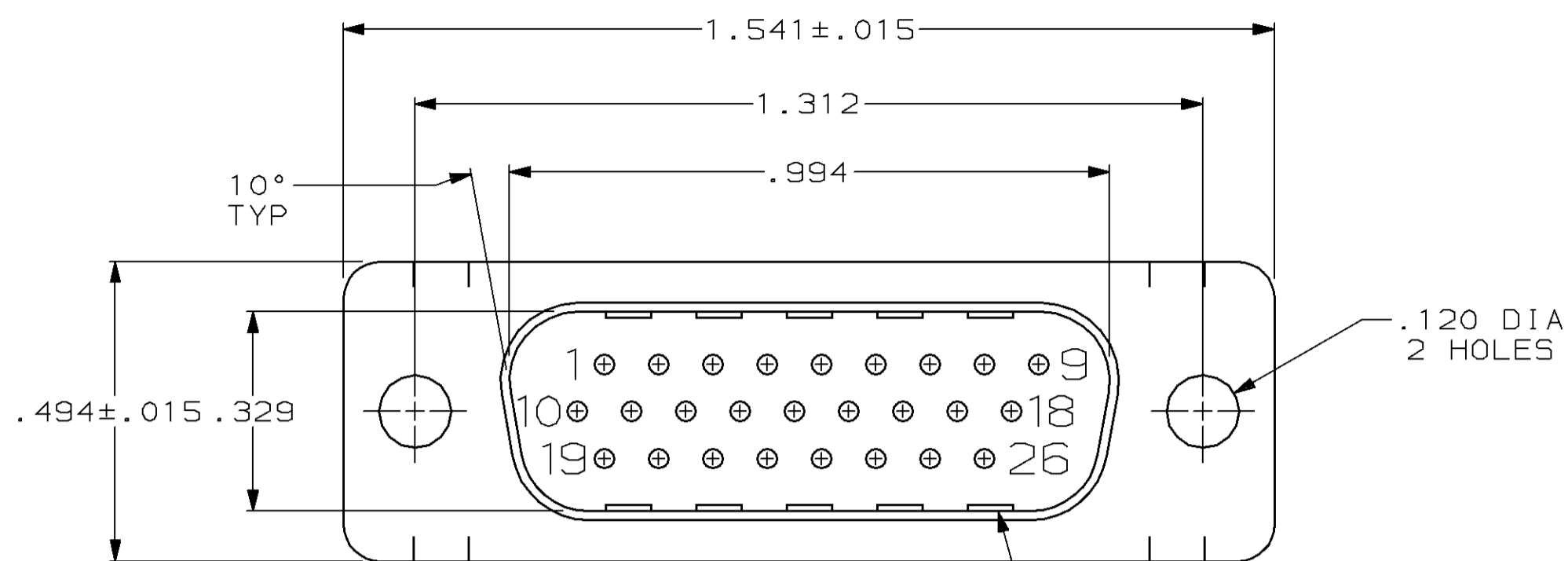
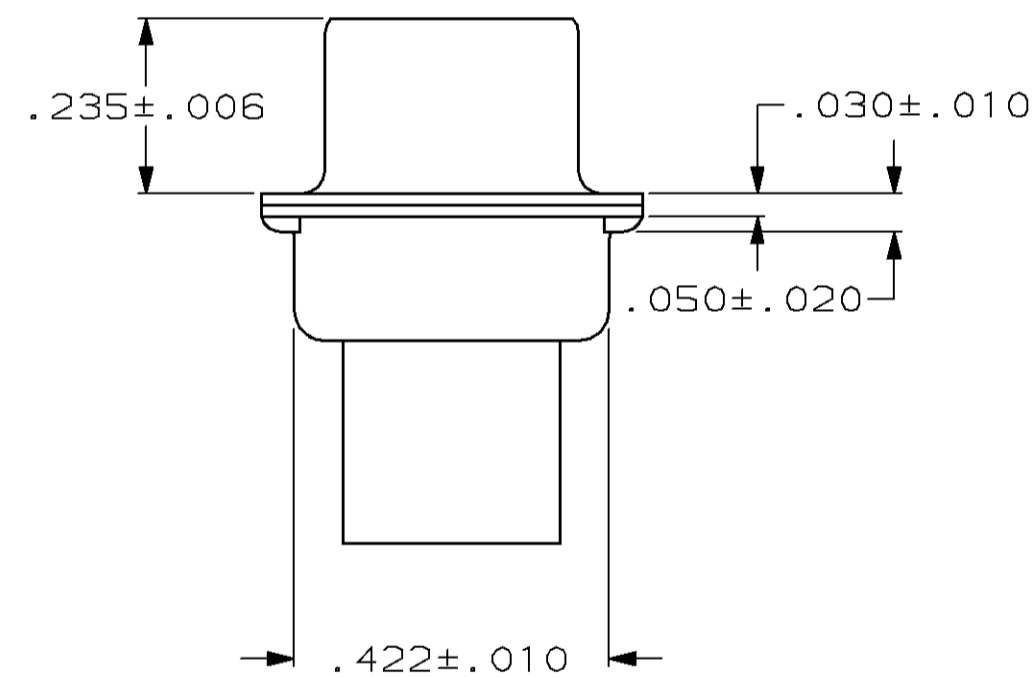
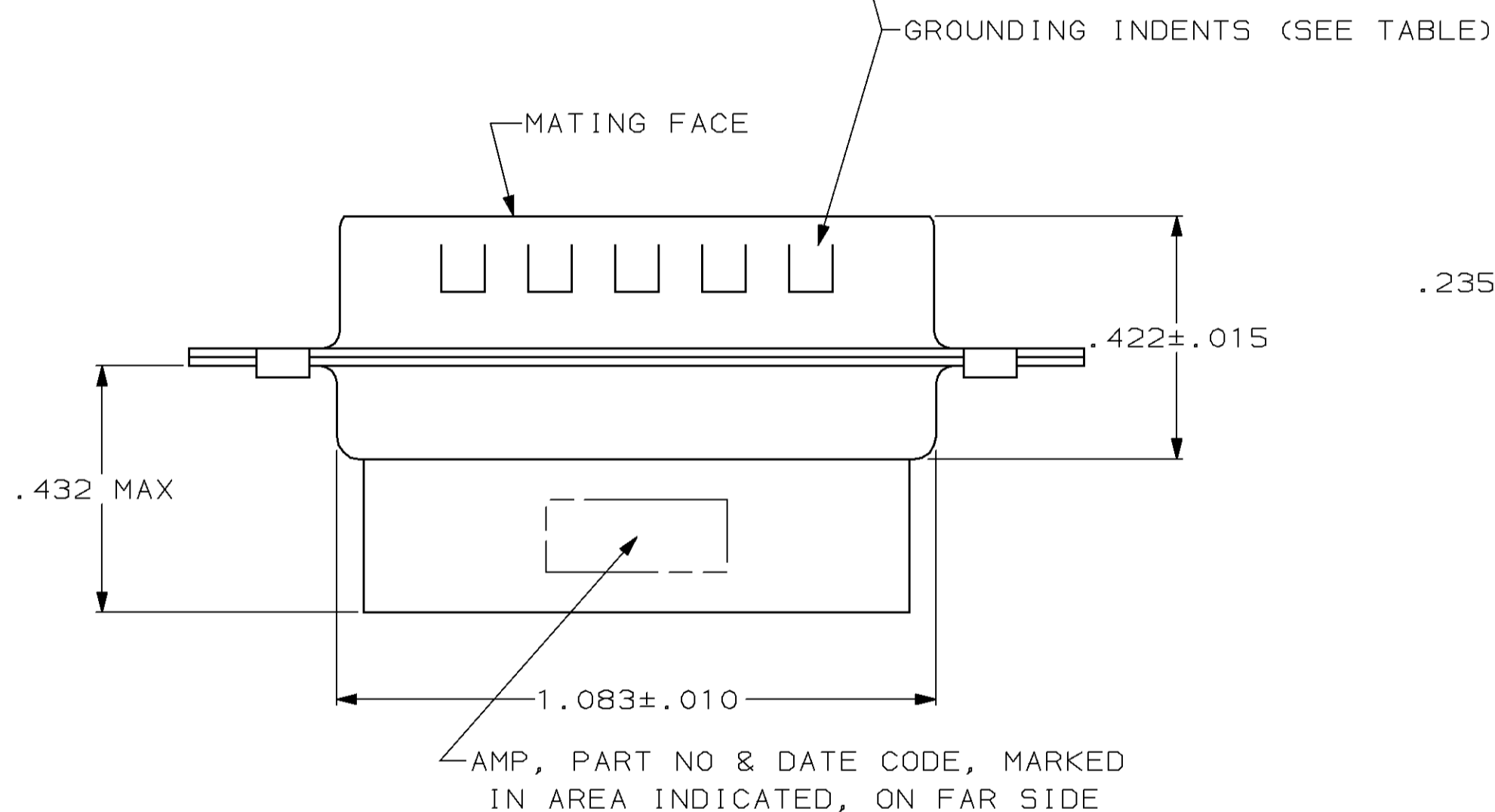


THIS DRAWING IS UNPUBLISHED. RELEASED FOR PUBLICATION, 19
 © COPYRIGHT 19 BY AMP INCORPORATED, HARRISBURG, PA. ALL INTERNATIONAL RIGHTS RESERVED. AMP PRODUCTS MAY BE COVERED BY U.S. AND FOREIGN PATENTS AND/OR PATENTS PENDING.

LOC	DIST	P	F	REVISIONS				
				ZONE	LTR	DESCRIPTION	DATE	APPROVED
	48			0		WAS 86-5528-9	-	-
				A		ADDED -2 PER NPR 2395	05/08/89	-
				B		OBS -2 PER EC 0020-1534-93	04/14/94	PR



- CONNECTOR ACCEPTS SIZE 22 DF PIN CONTACTS, RETENTION TINES ARE AN INTEGRAL PART OF INSERT.
- FLAME RETARDANT 94V-0 RATED GLASS FILLED NYLON, COLOR: BLACK.
- STEEL PER ASTM A109.
- TIN PLATED PER MIL-T-10727.



OBSOLETE	NO	748365-2
	YES	748365-1
	GROUNDING INDENTS	PART NUMBER

UNLESS OTHERWISE SPECIFIED DIMENSIONS ARE IN INCHES TOLERANCES ON :	DR 3-27-87 C.RICHARD	AMP INCORPORATED Harrisburg, Pa. 17105		
	2 PL DEC ± -			CHK 3-31-87 S.WELDON
3 PL DEC ± .005	APPD 4-2-87 L.BREKOSKY	NAME PLUG CONNECTOR, SIZE 2, 26 POSN, AMPLIMITE® HDP-22		
ANGLES ± 2°	APPD 4-2-87 V.KUMAR			
MATERIAL MOLDED PARTS:	PRODUCT SPEC -	SIZE	FSCM NO	DRAWING NO
SHELLS:	APPLICATION SPEC -	C	00779	748365
FINISH SHELLS:	WEIGHT -	SCALE	4:1	SHEET 1 OF 1