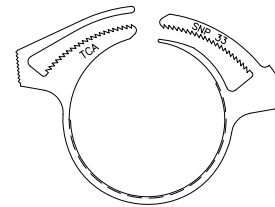
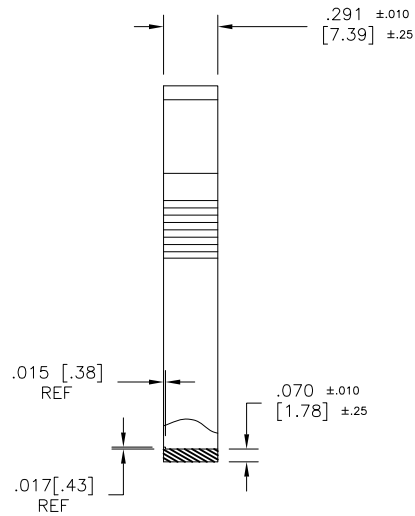
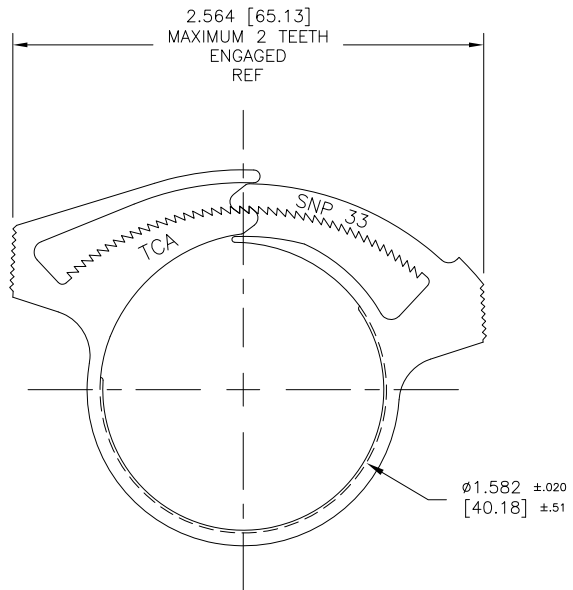


AS MOLDED



AS MOLDED  
FULL SIZE

**HellermannTyton**

ALL PROPRIETARY RIGHTS IN THE SUBJECT MATTER SHOWN ON THIS DRAWING ARE EXCLUSIVE PROPERTY OF HELLERMANNTYTON

name	date	city, state

NOTES

NOTE:

- INSIDE DIAMETERS ARE MEASURED IN THREE PLACES SPACED 120° APART EXCLUDING .015 RIB.
- 44 TOTAL TEETH, 22 TEETH POSITIONS.

REVISION  
level 01  
date 11/24/08  
by AAC  
ECN # 011186  
part level -

DIMENSIONS  
.XXXX=  
.XXX= NOTED  
.XX=  
.X=  
∠=  
unless otherwise specified  
units inches

number SNP3310 phase PRODUCTION  
name  
SNAPPER 33 HOSE CLAMP  
material ACETAL WHITE

FORMAT	C version	P	CAD	ACAD	scale	2X
computer file number	CP\CST\2033001_01	previous number				
drawn	A.A.C.	checked	K.A.C.	approved		
date	11/24/08	date	11/24/08	approved		
type	CUSTOMER	sheet	1 of 1			
number	CP2033002CST					