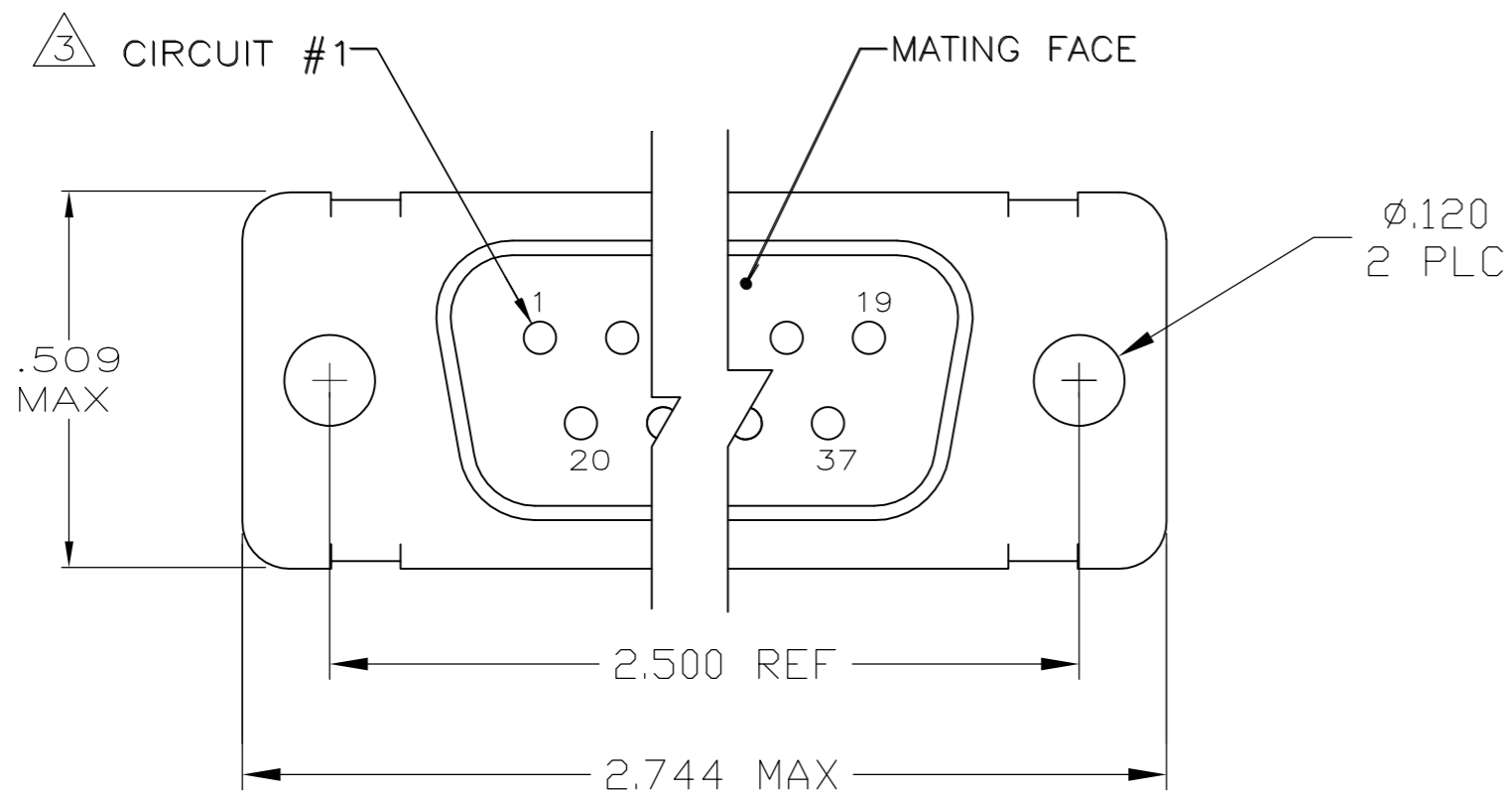
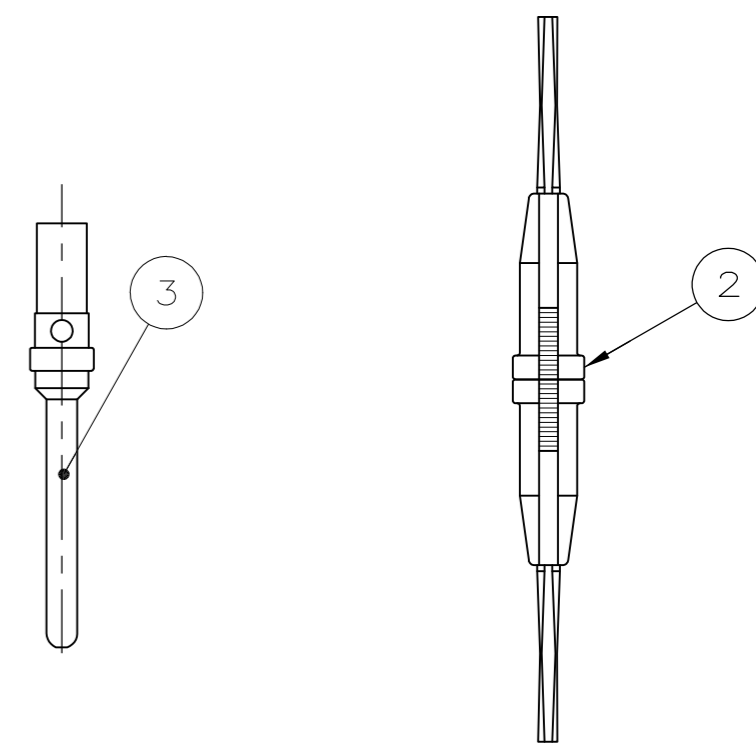
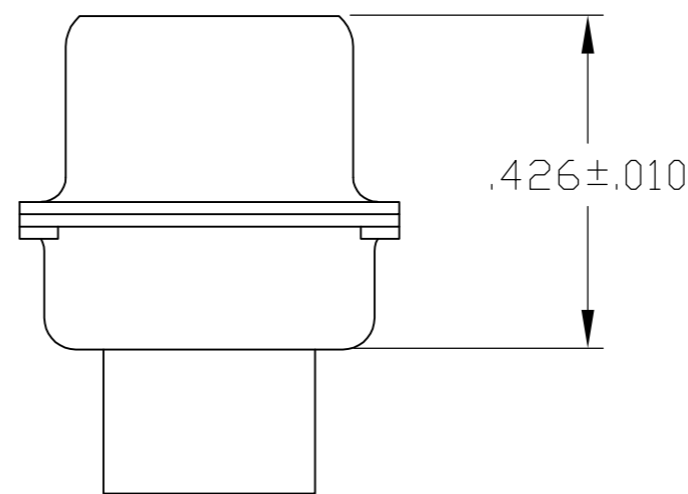
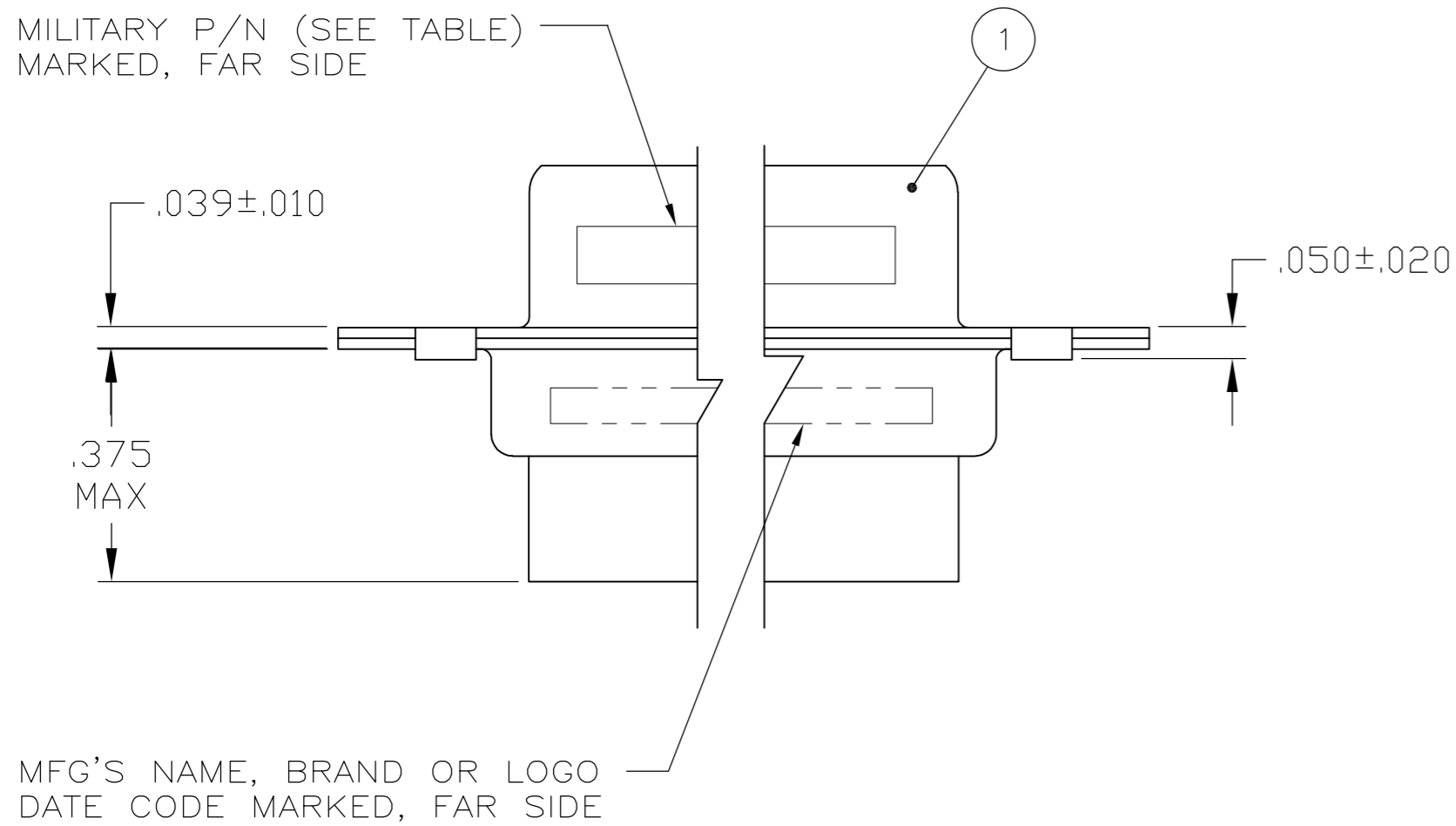


THIS DRAWING IS UNPUBLISHED. RELEASED FOR PUBLICATION
 © COPYRIGHT BY TYCO ELECTRONICS CORPORATION. ALL INTERNATIONAL RIGHTS RESERVED.

LOC		DIST		REVISIONS			
P	LTR	DESCRIPTION	DATE	DWN	APVD		
	K	REV PER ECO 10-012636	08JUL10	PY	RL		



1 FOR CONNECTOR ASSEMBLIES, TE CONTACT PART NOS. 205089-1 MUST BE ORDERED SEPARATELY. CONNECTORS WITH CONTACTS ARE SUPPLIED WITH CONTACT 205089-1



STATUS	TE P/N	MILITARY P/N	CONTACT	QTY.	TOOL	QTY.	PLUG ASSY	QTY.	PART NUMBER
OBSOLETE	205562-5	M24308/8-9F	205089-1	91067-2	205168-2	205562-5			
SUPERSEDED BY 206802-2 AND 205089-1	205562-4	M24308/8-4F	205089-1	-	205168-2	205562-4			
	205562-3	M24308/4-9F	205089-1	91067-2	205168-1	205562-3			
	205562-2	M24308/4-4F	205089-1	-	205168-1	205562-2			
SUPERSEDED BY 205168-1 AND 91067-2	205562-1	-	-	91067-2	205168-1	205562-1			
	TE P/N MARKED ON PACKAGE	MILITARY P/N MARKED ON PACKAGE	3 PIN CONTACT	1 QTY. = 37	2 INSERTION/EXTRACTION TOOL	1 QTY. = 1	1 PLUG ASSY	1 QTY. = 1	PART NUMBER

THIS DRAWING IS A CONTROLLED DOCUMENT.

DWN	P. YEAGER	11MAR09
CHK	R. LEASE	12MAR09
APVD	R. LEASE	12MAR09

Tyco Electronics Corporation
Harrisburg, PA 17105-3608

AMPLIMITE, KIT,HDM-20, SERIES,
PLUG, SIZE 4, 37 POSITION

SIZE	CAGE CODE	DRAWING NO	RESTRICTED TO
A2	00779	C=205562	-

CUSTOMER DRAWING SCALE 4:1 SHEET 1 of 1 REV K