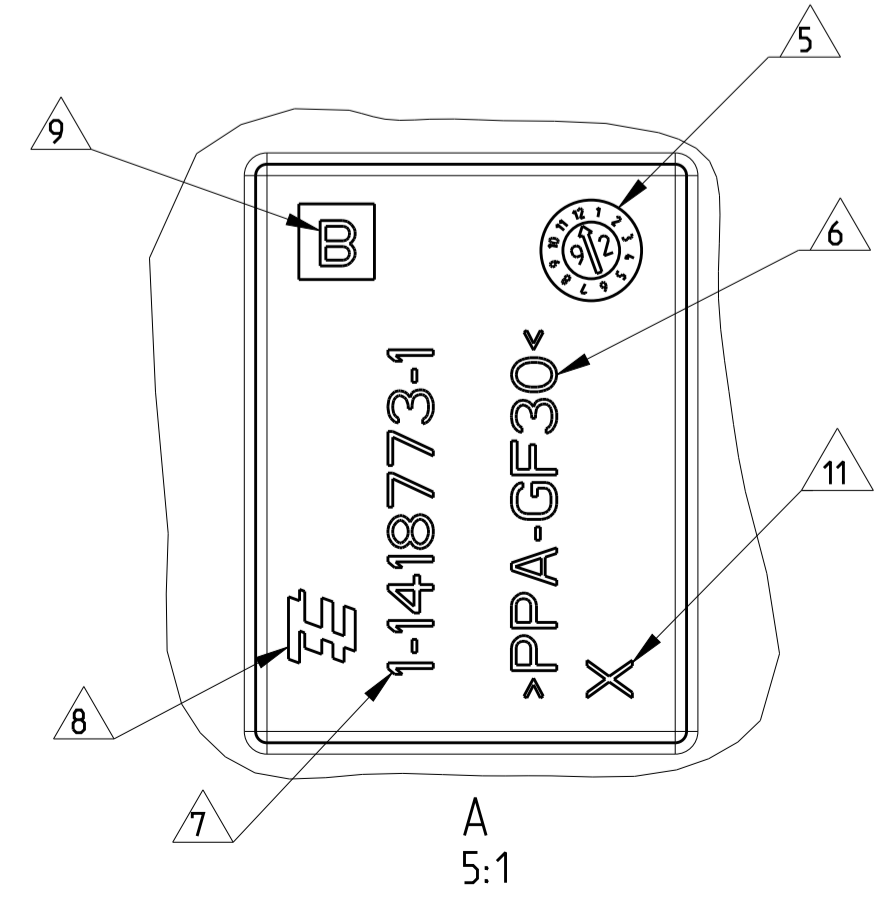
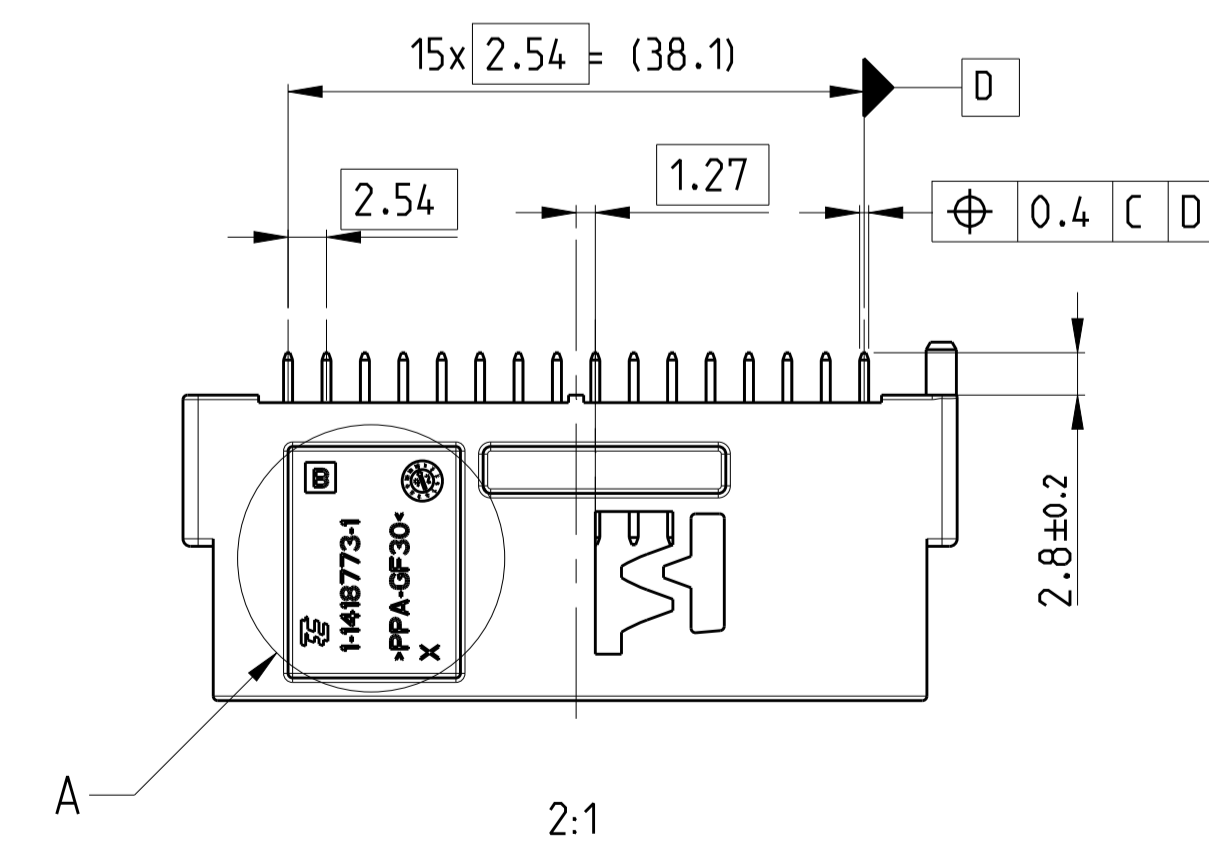
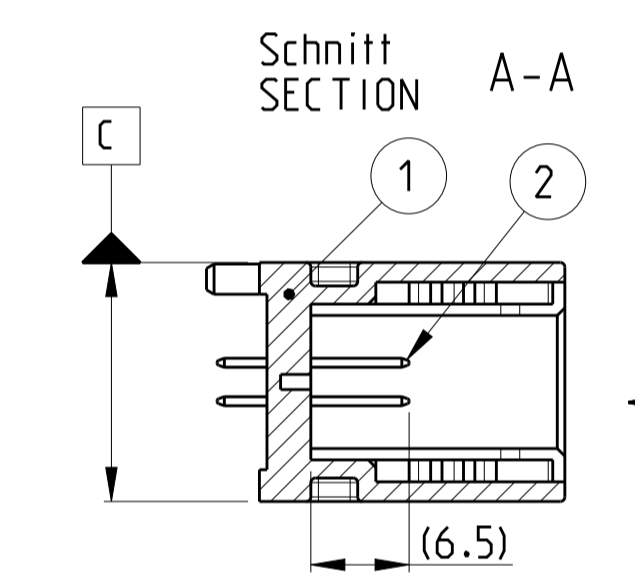
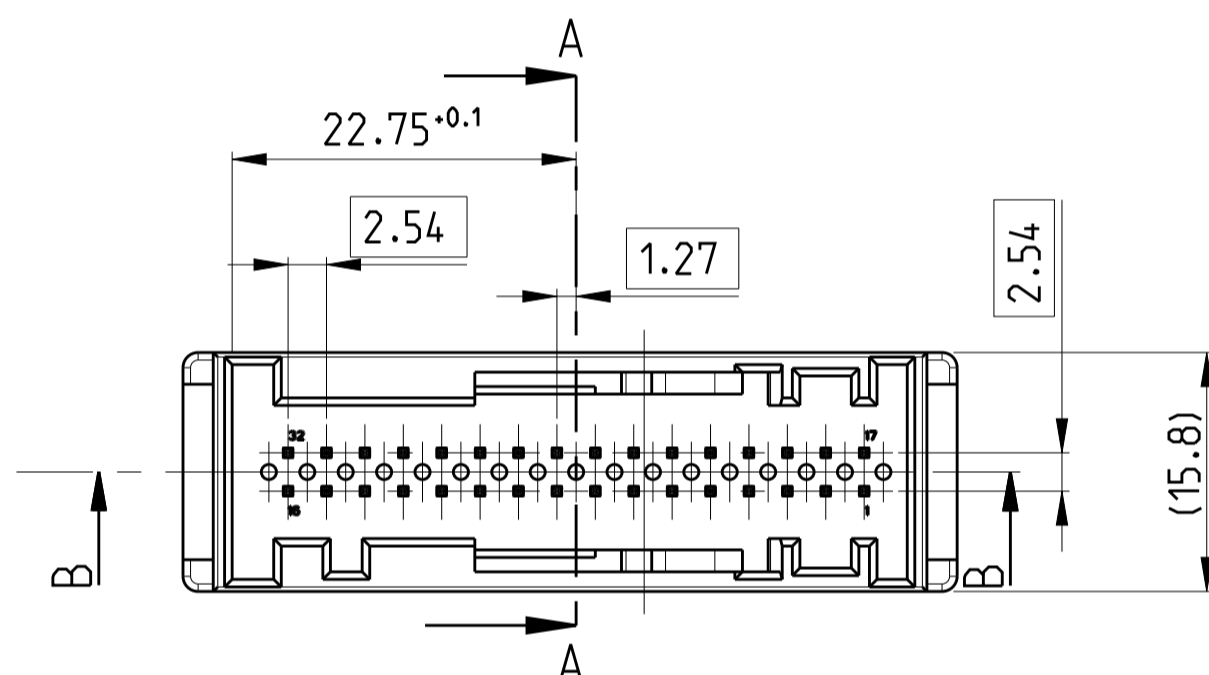


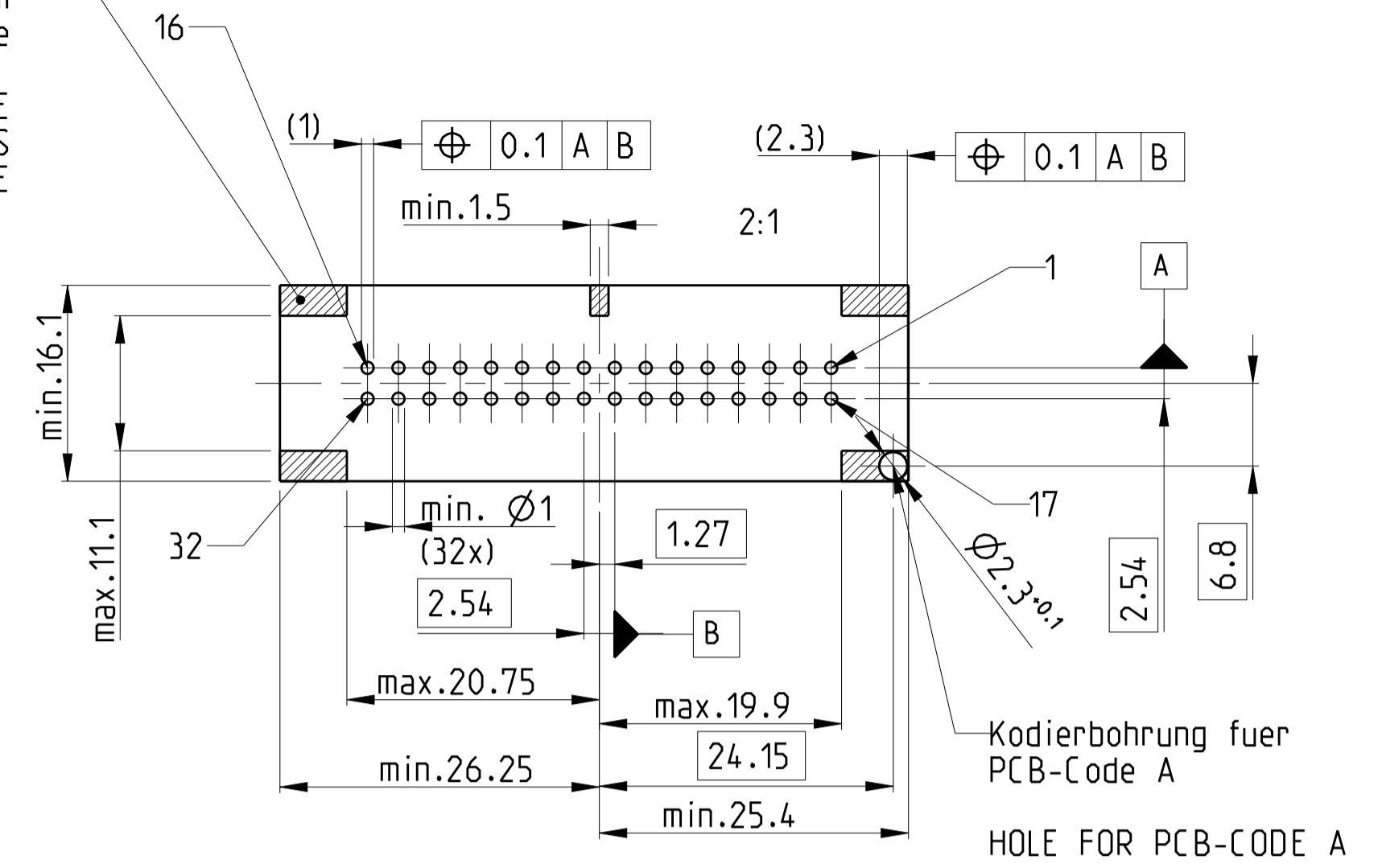
Kodierzapfen fuer Leiterplatte
PIN FOR PCB CODE



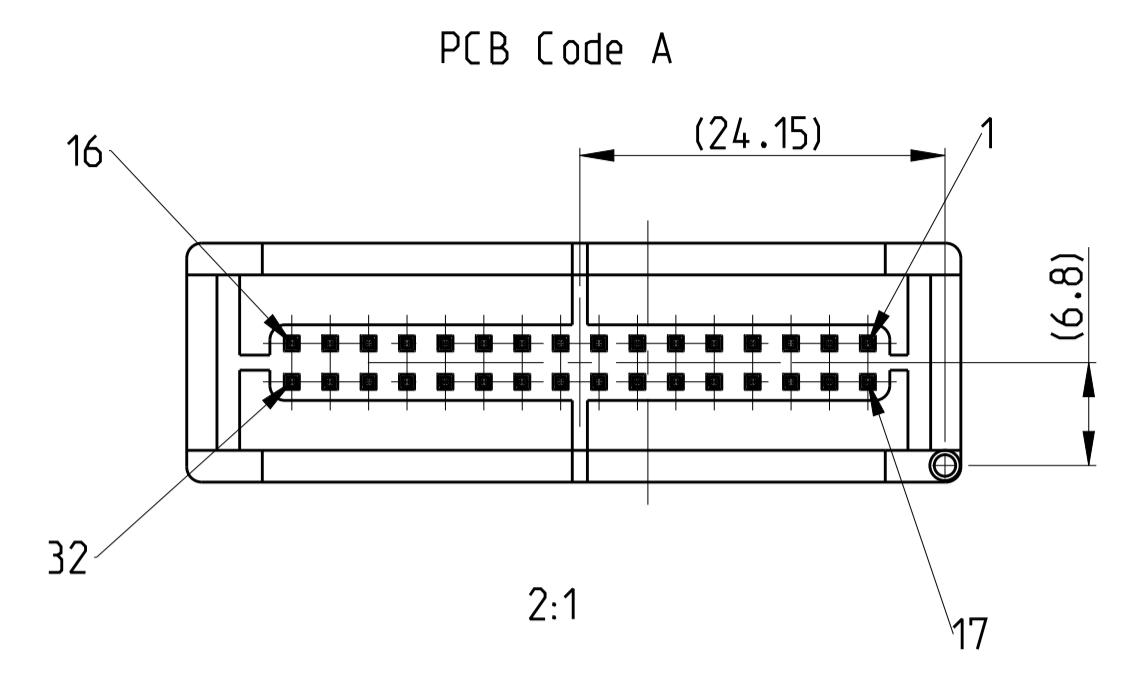
Auflageflaeche
max. und min. Masse
bezeichnen den Freiraum
auf der Leiterplatte

BEARING SURFACE
MAX/MIN DIMENSIONS
DESCRIBE THE SPACE
ON THE PCB

Unverbindliches Leiterplattenlayout
NOT BINDING PCB-LAYOUT



LOC	DIST	REV	DESCRIPTION	DATE	DWN	APVD
A1	-	A	NEW DRAWING	12MAY2009	ZP	ZP
		A1	ECR-09-21067	23SEP2009	ZP	ZP
		B	ECR-11-012668	21JUN2011	ZP	ZP
		B1	ECR-15-006482	24APR2015	AB	ZP



Bemerkungen
NOTES

1. Stiftdruckkraft min. 25N; Pruefgeschwindigkeit 25mm/min.
PIN RETENTION FORCE 25N MIN.; TEST VELOCITY 25MM/MIN
2. Loetbarkeit nach IEC 68. T2-20
SOLDERABILITY PER IEC 68. T2-20
3. Eigenregrindanteil 15-20% zulaessig
REGRIND 15-20% PERMITTED
4. Maße in Klammern () nur zur Information
DIMENSIONS IN CLAMPS () ONLY FOR INFORMATION
5. Datumsuhr
DATECLOCK
6. Materialkennzeichnung
MATERIAL MARKING
7. TE-Asy Teile Nummer
TE-ASSY PART NUMBER
8. TE-Logo
TE-LOGO
9. TE Teile Revision
TE PART REVISION
10. TE-Einzelteil Nummer
TE-HOUSING PART NUMBER
11. Formnestkennzeichnung
CAVITY MARKING
12. Betriebstemperaturbereich -40 °C bis +85 °C
OPERATING TEMPERATURE RANGE -40 °C TILL +85 °C
13. Packaging: Tube acc. to V1418773
Verpackung: Tube nach V1418773
14. Packaging: Oversea Tray acc. to V1418773
Verpackung: Ueberseeverpackung Tray nach V1418773

ASSY NO. TRAY OVERSEA PACKAGING	ASSY NO.	CODING	PCB CODE	REV	PCS.	DESCRIPTION	MATERIAL	COLOR SURFACE	ITEM NO
8-1418773-1	1-1418773-1	A	A	B	32	MODU II PIN	CuSn6	Sn	2
					1	PIN HEADER	PPA-GF30	SIGNAL BLUE SIMILAR RAL 5005	1

1-1 Wie gezeichnet
AS SHOWN

THIS DRAWING IS A CONTROLLED DOCUMENT. DWG: A.Landau 14APR2009
 CHK: Z.Polsak 16APR2009

DIMENSIONS: mm
 TOLERANCES UNLESS OTHERWISE SPECIFIED:
 1. PLC ±0.1
 2. PLS ±0.1
 3. PLS ±0.1
 4. PLS ±0.1
 5. PLS ±0.1
 6. PLS ±0.1
 7. PLS ±0.1
 8. PLS ±0.1
 9. PLS ±0.1
 10. PLS ±0.1
 11. PLS ±0.1
 12. PLS ±0.1
 13. PLS ±0.1
 14. PLS ±0.1

MATERIAL: SEE TABLE
 FINISH: -

PRODUCT SPEC: -
 APPLICATION SPEC: -
 WEIGHT: -
 CUSTOMER DRAWING: -

NAME: MGS PIN HEADER, ASSY. 32POS
 MGS-Stiftwanne, Assy. 32pol.

SIZE: A1
 CAGE CODE: 00779
 DRAWING NO: 1418773

RESTRICTED TO: -
 SCALE: 1:1
 SHEET: 1 OF 1
 REV: B1

TE Connectivity