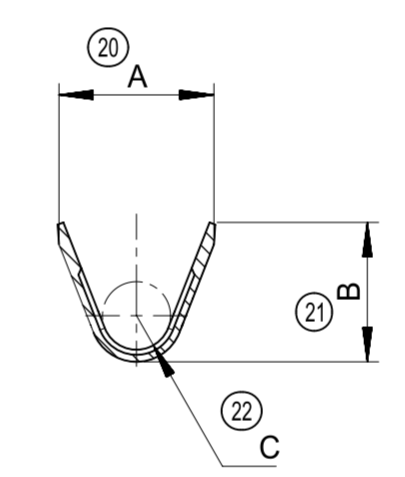
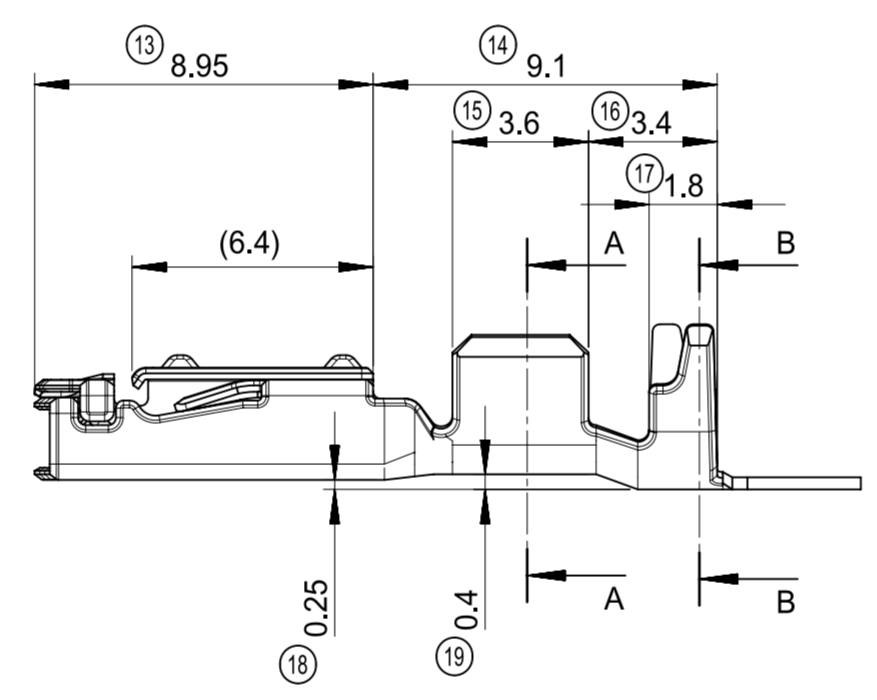
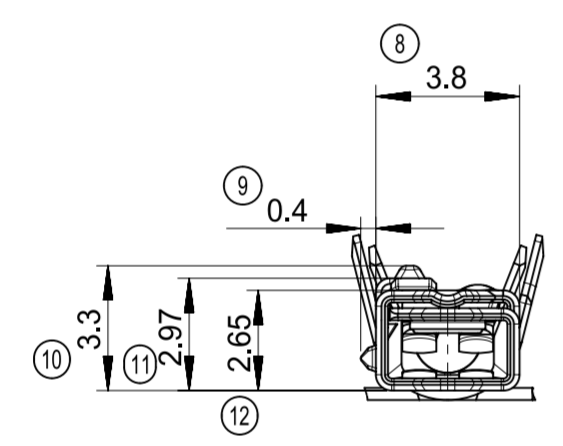
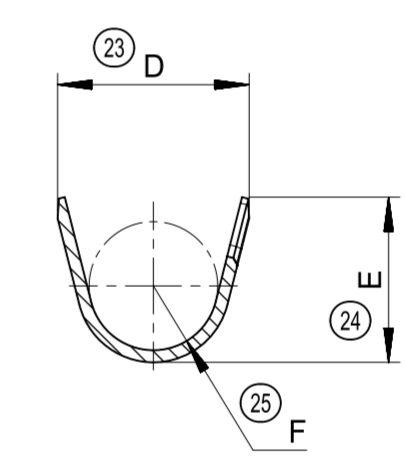


NOTES:
 1. 材料：銅合金
 2. めっき仕様：すずめっき
 3. 最新の適用電線と仕様は、端子の圧着仕様書：AS-560122-001を確認すること

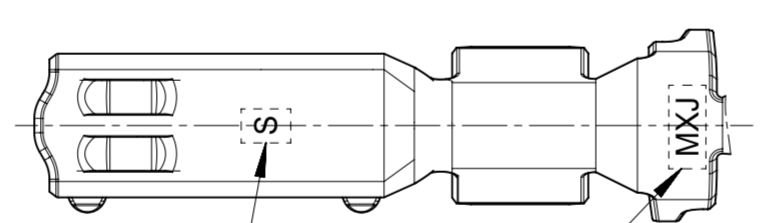
NOTES:
 1. MATERIAL : COPPER ALLOY
 2. PLATING SPECIFICATION : Tin PLATING
 3. PLEASE CHECK THE TERMINAL CRIMPING SPECIFICATIONS : AS-560122-001 FOR THE LATEST APPLICABLE WIRES AND OTHER CRIMPING SPECIFICATION.



SECTION A-A



SECTION B-B



バレルサイズマーク
GRIP CODE

ロゴマーク
LOGO MARK

端子品番 PART NO.	バレル記号 GRIP CODE	適用電線 APPLICABLE WIRE SIZE		寸法 DIMENSION					
				A	B	C	D	E	F
560122-0102	S	AVSS, AVSSH, AESSX	2.0mm ²	4.17	(3.7)	R0.9	5.07	(4.37)	R1.7
		FLRY-B	2.0 - 2.5mm ²						

THIS DRAWING CONTAINS INFORMATION THAT IS PROPRIETARY TO MOLEX ELECTRONIC TECHNOLOGIES, LLC AND SHOULD NOT BE USED WITHOUT WRITTEN PERMISSION

DIMENSION UNITS: mm
 SCALE: 5:1

CURRENT REV DESC:

molex

EC NO: 620314
 DRWN: GABE 2019/07/04
 CHK'D: TIIDA01 2019/07/17
 APPR: TOSADA 2019/07/18

CTX-J 280 RECEPTACLE
 TERMINAL SEALED

PRODUCT CUSTOMER DRAWING

GENERAL TOLERANCES (UNLESS SPECIFIED)		
10 UNDER		±0.3
10 OVER	30 UNDER	±0.4
30 OVER		±0.5
ANGULAR ±5°		

INITIAL REVISION:
 DRWN: TIIDA01 2014/02/06
 APPR: MAYAMAMOTO 2015/11/09

DOCUMENT NUMBER	DOC TYPE	DOC PART	REVISION
SD-560122-001	PSD	001	B

THIRD ANGLE PROJECTION	DRAWING	SERIES	MATERIAL NUMBER	CUSTOMER	SHEET NUMBER
	A2-SIZE	560122		GENERAL MARKET	1 OF 1