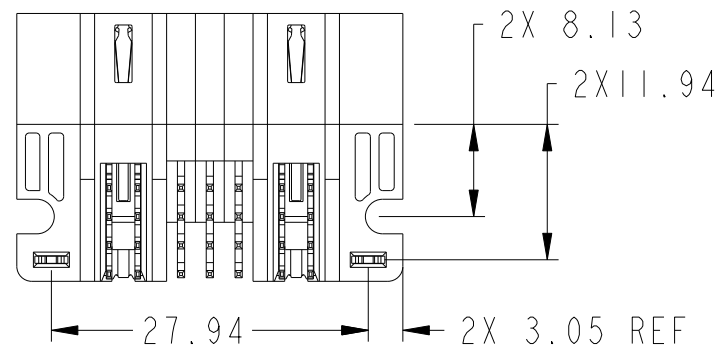
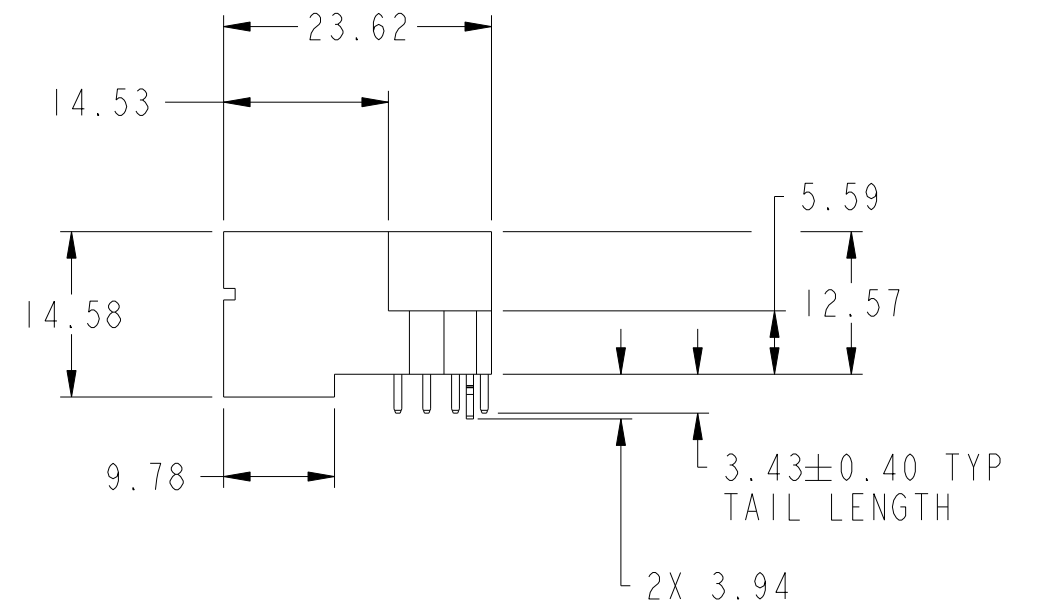
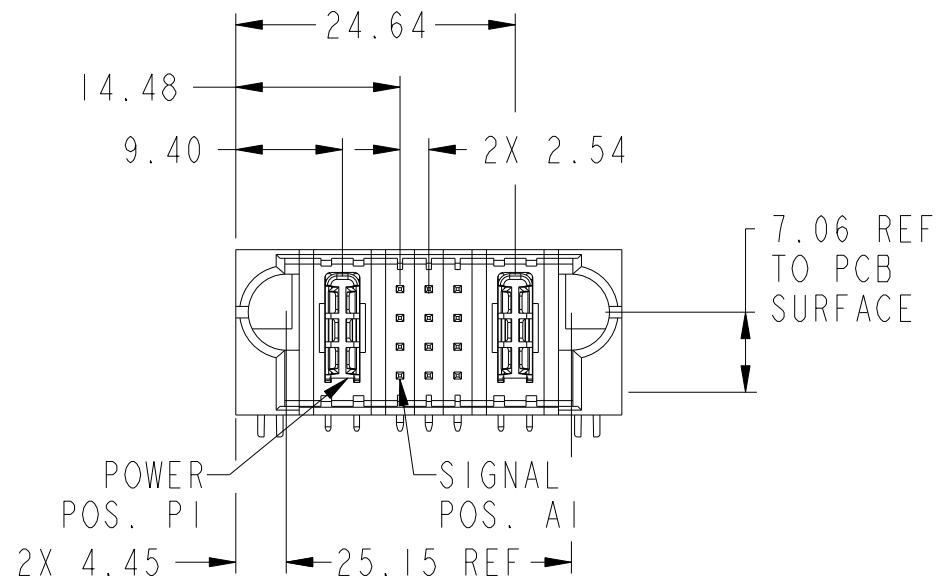
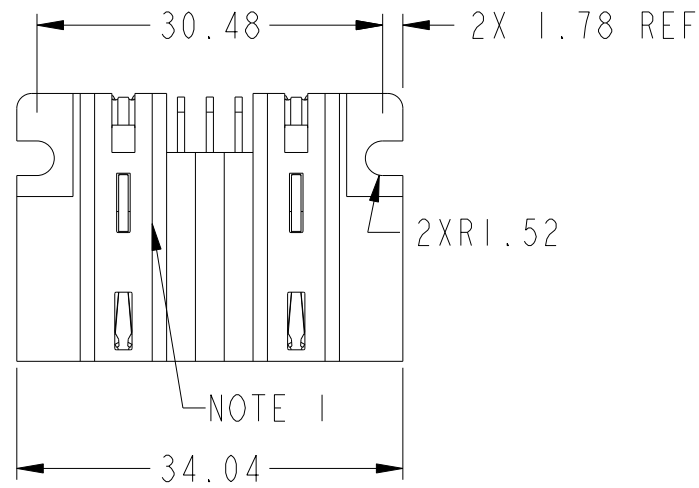
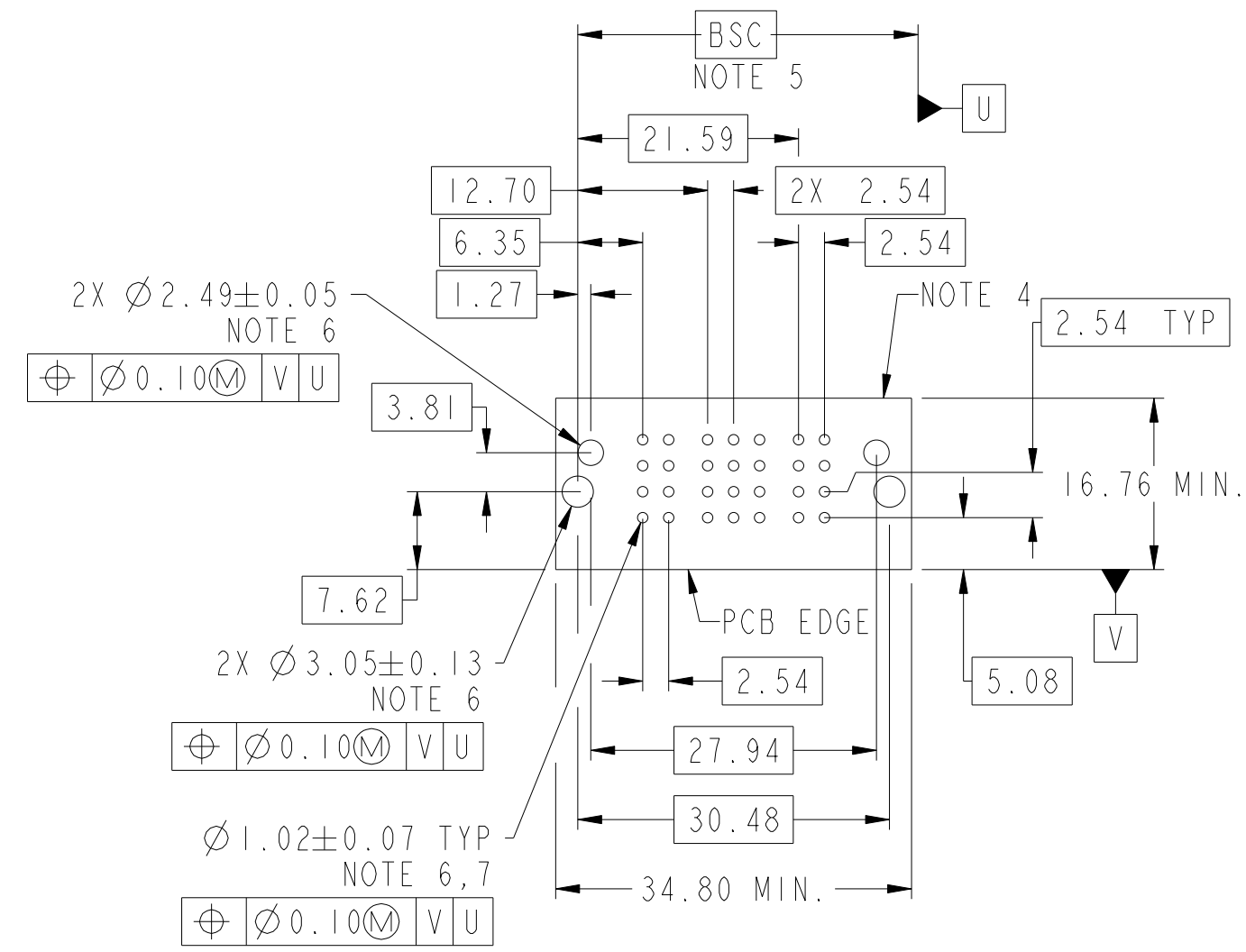


PRODUCT NUMBER SEE SHEET 2



spec ref	dr	Sunny2 Liu	2017/03/13	projection	MM	size	A3	scale	3:2
tolerance std	eng	Sunny2 Liu	2017/07/06			ecn no	-	rel level	Released
ISO 406 ISO 1101	chr	Fancy Zhang	2017/07/06						
surface	linear	TOLERANCES UNLESS OTHERWISE SPECIFIED	Amphenol FCI	product family	PwrBlade+	dwg no	10106262-2003002	rev	A
	appr	Pei-Ming Zheng	2017/07/06	title		IHP + 12S + IHP		cat. no.	
				RA STB PLUG		Product - Customer Drw		sheet 1 of 3	

PRODUCT NO.	ROWS		HP	S	HP	
		E1	P1	1 2 3	P2	E2
10106262-2003002LF	DCBA		H1	UUU TTT SFS RRR	H1	



CODE	DESCRIPTION
F	MLBF SIGNAL CONTACT, ROW B (3.43)
HI	STD HIGH POWER CONTACT (3.43)
HA	METAL HOLD DOWN
R	STD SIGNAL CONTACT, ROW A (3.43)
S	STD SIGNAL CONTACT, ROW B (3.43)
T	STD SIGNAL CONTACT, ROW C (3.43)
U	STD SIGNAL CONTACT, ROW D (3.43)

spec ref	dr	Sunny2 Liu	2017/03/13	projection	MM	size	A3	scale	3:2
tolerance std	eng	Sunny2 Liu	2017/07/06		← →	ecn no	-	rel level	Released
ISO 406 ISO 1101	chr	Fancy Zhang	2017/07/06						
TOLERANCES UNLESS OTHERWISE SPECIFIED	appr	Pei-Ming Zheng	2017/07/06	product family	PwrBlade+				
	surface	Amphenol FCI			title	IHP + I2S + IHP		dwg no	10106262-2003002
linear	0.X	±0.5	RA STB PLUG			rev	A		
	0.XX	±0.25	cat. no.			Product - Customer Drw		sheet 2 of 3	
0.XXX	±0.10								
angular	0°	±2°							

Amphenol FCI

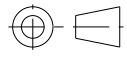
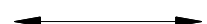

© 2016 AFCI

NOTES:

- 1) PRODUCT MARK:
PART NUMBER AND DATE CODE TO BE MARKED ON THIS SURFACE .
THE MARK CAN BE OMITTED IF THERE IS NOT ENOUGH SPACE ON THIS SURFACE.
- 2) MATERIALS:
-HOUSING : HIGH TEMP THERMOPLASTIC WITH GLASS FIBER, UL94V-0, BLACK.
-POWER CONTACT : HIGH CONDUCTIVITY COPPER ALLOY.
-SIGNAL CONTACT : COPPER ALLOY.
- 3) PLATING SPECIFICATION : 10116351
- 4) DENOTES CONNECTOR KEEP OUT ZONE.
- 5) DATUM AND BASIC DIMENIONS ARE ESTABLISHED BY CUSTOMER.
- 6) ALL HOLE DIAMETERS ARE FINISHED HOLE SIZES.
- 7) 1.15+/-0.025MM DRILLED HOLE PLATED WITH 0.00762MM MIN SN
OVER 0.0254-0.0762MM CU PLATING TO ACHIEVE A 1.02+/-0.07MM HOLE.
- 8) THE HOUSING WILL WITHSTAND EXPOSURE TO 265 °C PEAK TEMPERATURE
FOR 10 SECONDS IN A WAVE SOLDER APPLICATION.
- 9) THIS PRODUCT MEETS EUROPEAN UNION DIRECTIVES AND OTHER COUNTRY
REGULATIONS AS DESCRIBED IN GS-47-0004.
- 10) PRODUCT SPECIFICATION : GS-12-658.
APPLICATION SPECIFICATION : GS-20-141.
PRODUCT PACKAGE SPECIFICATION: GS-14-1502.

Amphenol
FCi

© 2016 AFCI

spec ref		dr	Sunny2 Liu	2017/03/13	projection	MM	size	A3	scale	3:2	
tolerance std		TOLERANCES UNLESS OTHERWISE SPECIFIED					ecn no		-		
ISO 406 ISO 1101		eng	Sunny2 Liu	2017/07/06			rel level		Released		
surface		chr	Fancy Zhang	2017/07/06	product family		PwrBlade+		rev		
ISO 1302		appr	Pei-Ming Zheng	2017/07/06	title		IHP + 12S + IHP		dwg no		
linear					RA STB PLUG		10106262-2003002		A		
0.X											±0.5
0.XX											±0.25
angular		cat. no.			Product - Customer Drw		sheet 3 of 3				
0.XXX		±0.10									
0°		±2°									