

OV6946 400x400 product brief



Cost-Effective, Ultra-Compact Camera Solution for Medical and Industrial Endoscopes



available in
a lead-free
package

OmniVision's OV6946 is an ultra-compact CameraChip™ sensor that brings high quality images and video with excellent color fidelity to endoscopes. The 1/18-inch sensor's 0.9 x 0.9 mm compact package, low power consumption, coupled with wide field-of-view with short focus distance make it an ideal camera solution for medical and industrial applications.

Utilizing an advanced 1.75-micron OmniBSI+™ pixel, the OV6946 captures high quality 400 x 400 resolution

images and video at 30 frames per second (fps). The OV6946 enables minimally invasive endoscope module designs with a width of 1.65 mm and height of 5 mm.

The OV6946 CameraChip sensor's reduced pinout and basic image signal processing functionality offer easy integration, enabling faster time-to-market.

Find out more at www.ovt.com.



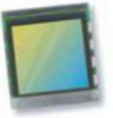
Applications

- Medical Endoscopes
- Industrial Videoscopes
- Security and Surveillance
- Toys and Games
- Wearable Devices

Product Features

- optical size of 1/18"
- analog output
- automatic/manual control of exposure and gain
- on-chip PLL
- low power consumption
- single 3.3V power supply
- serial peripheral interface (SPI)
- OmniBSI™ pixel structure using 0.11 μm process

OV6946



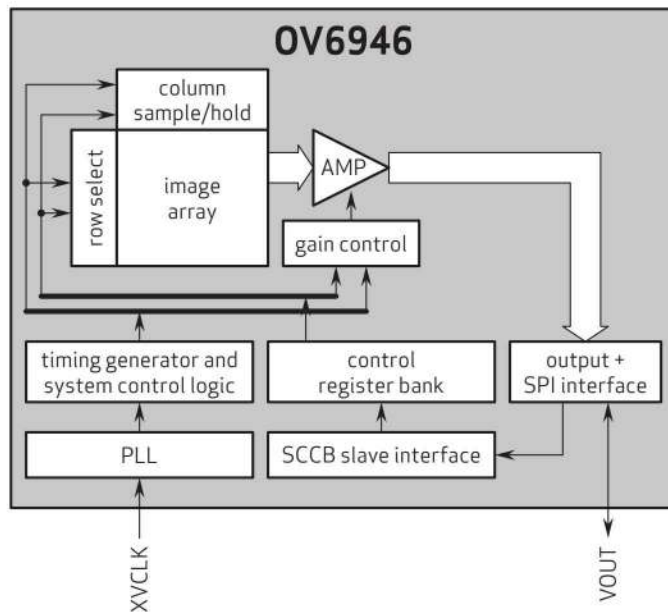
Ordering Information

- **OV06946-A04A**
(color, lead-free, 4-pin CSP3)

Product Specifications

- **active array size:** 400 x 400
- **power supply:**
 - analog: 3.3V ± 5%
- **power requirements:**
 - 25 mW (with IO consumption)
- **temperature range:**
 - operating: -20°C to +70°C junction temperature
 - stable image: 0°C to +50°C junction temperature
- **output formats:** analog signal output
- **lens size:** 1/18"
- **lens chief ray angle:** 25°
- **frame rate:**
 - half VGA (400x400): 30 fps
- **maximum exposure:** 876 x T_{LINE}
- **minimum exposure time:** 72.15 μs
- **scan mode:** progressive
- **max S/N ratio:** 34.4 dB
- **dynamic range:** 65.8 dB @ 4x gain
- **sensitivity:** 1000 mV/lux-sec
- **color mosaic:** RGB Bayer pattern
- **pixel size:** 1.75 μm x 1.75 μm
- **dark current:** 42 e⁻/sec @ 60°C junction temperature
- **image area:** 714 μm x 707 μm
- **package dimensions:** 950 μm x 940 μm

Functional Block Diagram



4275 Burton Drive
Santa Clara, CA 95054
USA

Tel: +1 408 567 3000
Fax: +1 408 567 3001
www.ovt.com

OmniVision reserves the right to make changes to their products or to discontinue any product or service without further notice. OmniVision, the OmniVision logo, OmniPixel and VarioPixel are registered trademarks of OmniVision Technologies, Inc. OmniBSI-2 is a trademark of OmniVision Technologies, Inc. All other trademarks are the property of their respective owners.



OmniVision