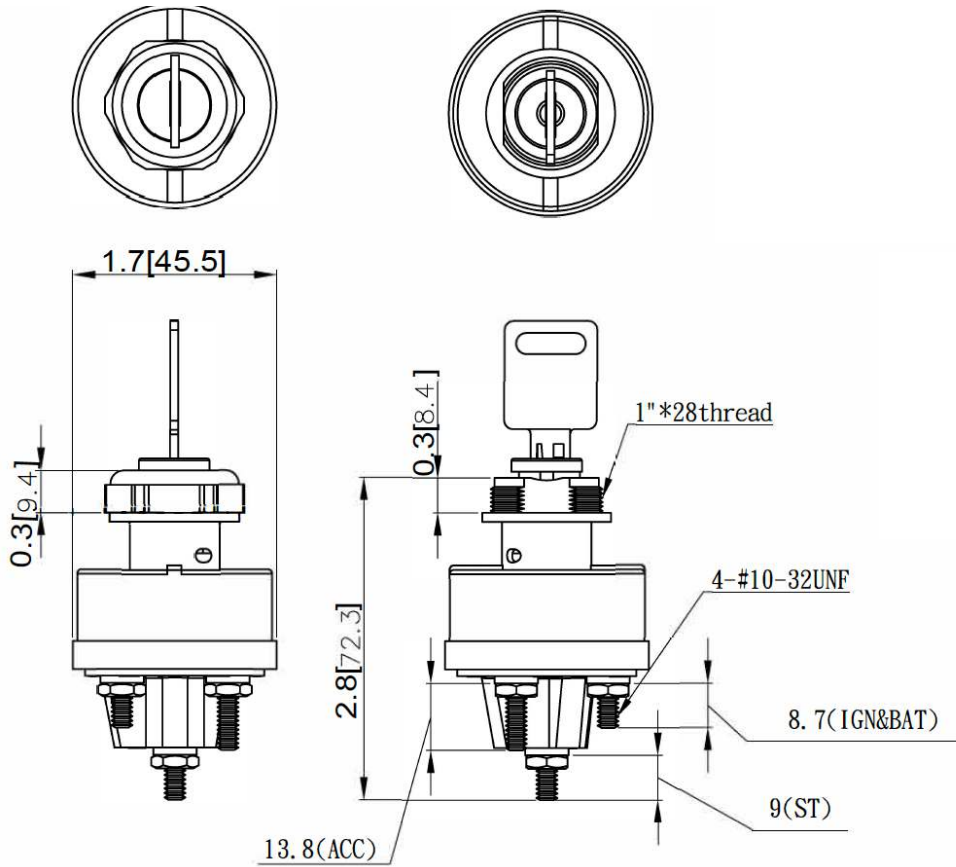
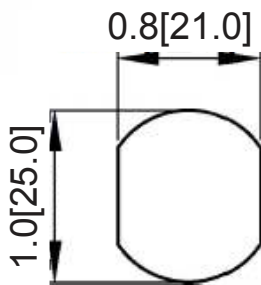


**Mechanical Dimensions: Inches [mm]**

Tolerances  $\pm 0.012$  [0.5] Unless Otherwise Specified

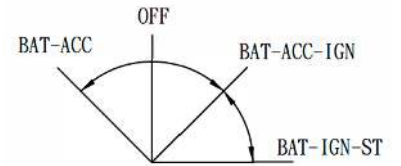


**Mounting Hole**



**Circuit Diagram**

**4 Positions**



**Electrical Specifications**

Continuous Rating	30A 12VDC
IGN Terminal Rating	8A 14VDC
ACC Terminal	30A 14VDC
Start	75A Make, 20A Break 14VDC

**Material Specifications**

Zinc diecast construction
Copper terminals
2 Brass keys

<b>Rev</b>	<b>Date of issue</b>	<b>Revision Notes</b>	<b>Designed</b>	<b>Approved</b>
A	11-12-2019	Initial Drawing	RC	OF