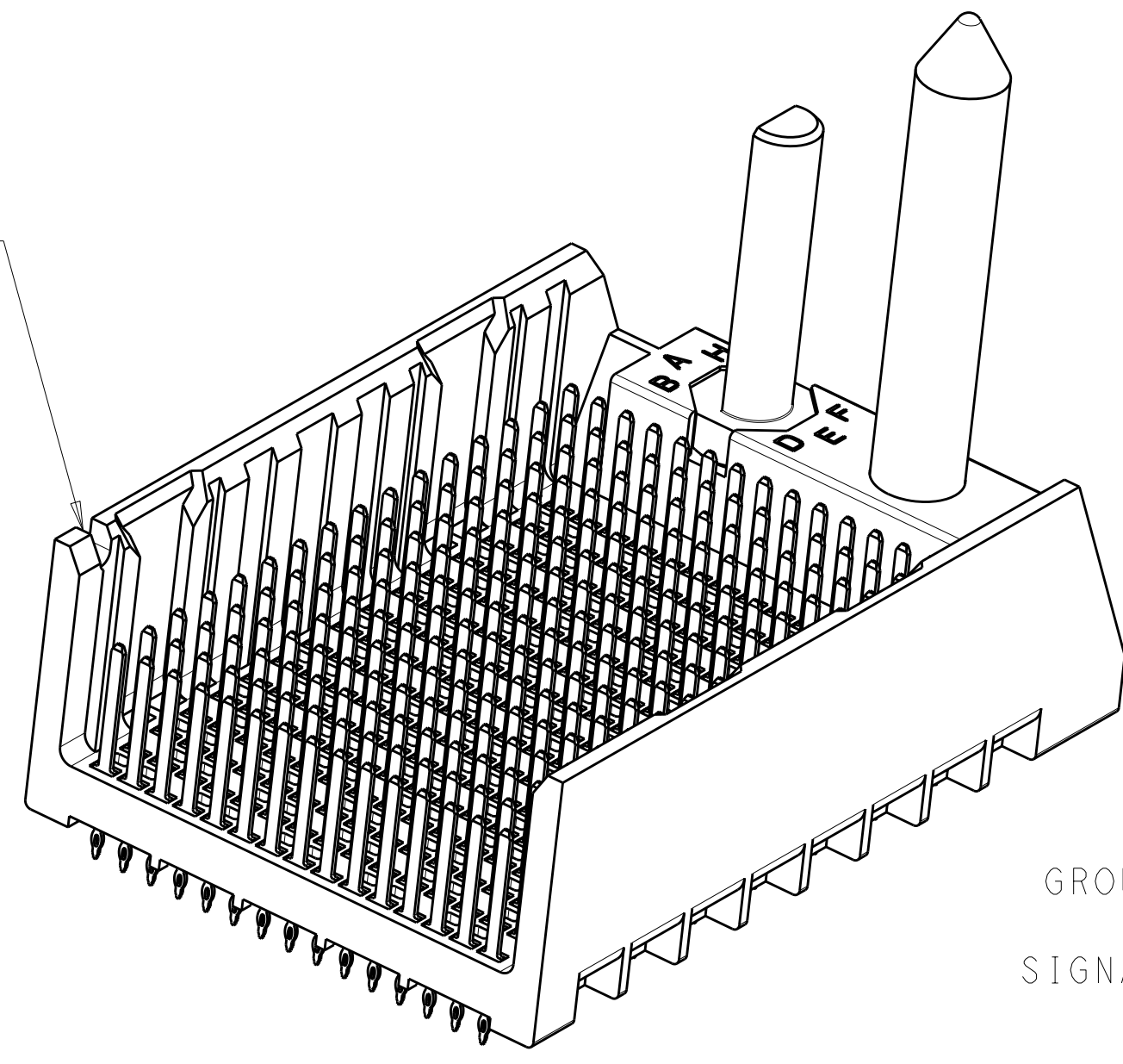
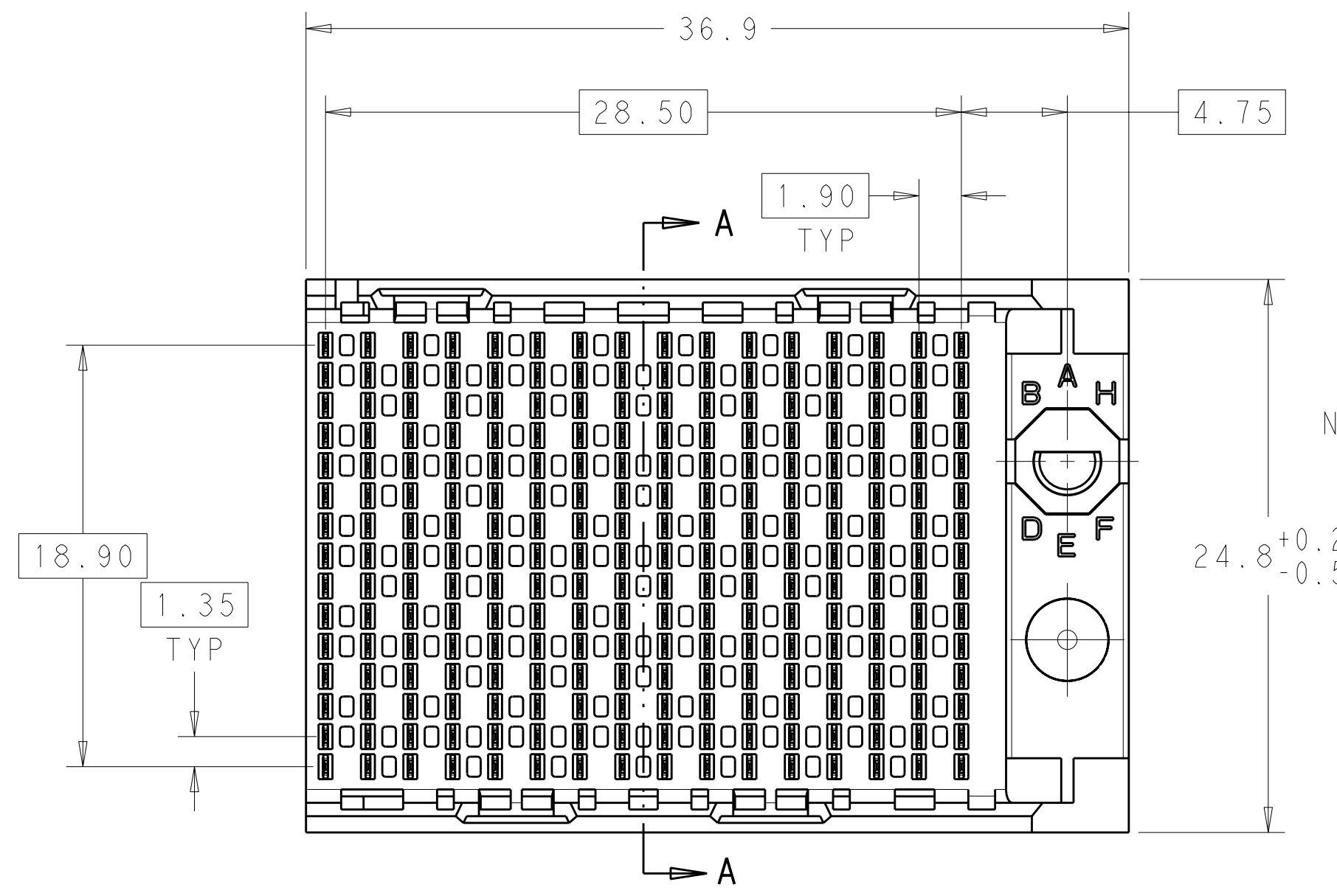
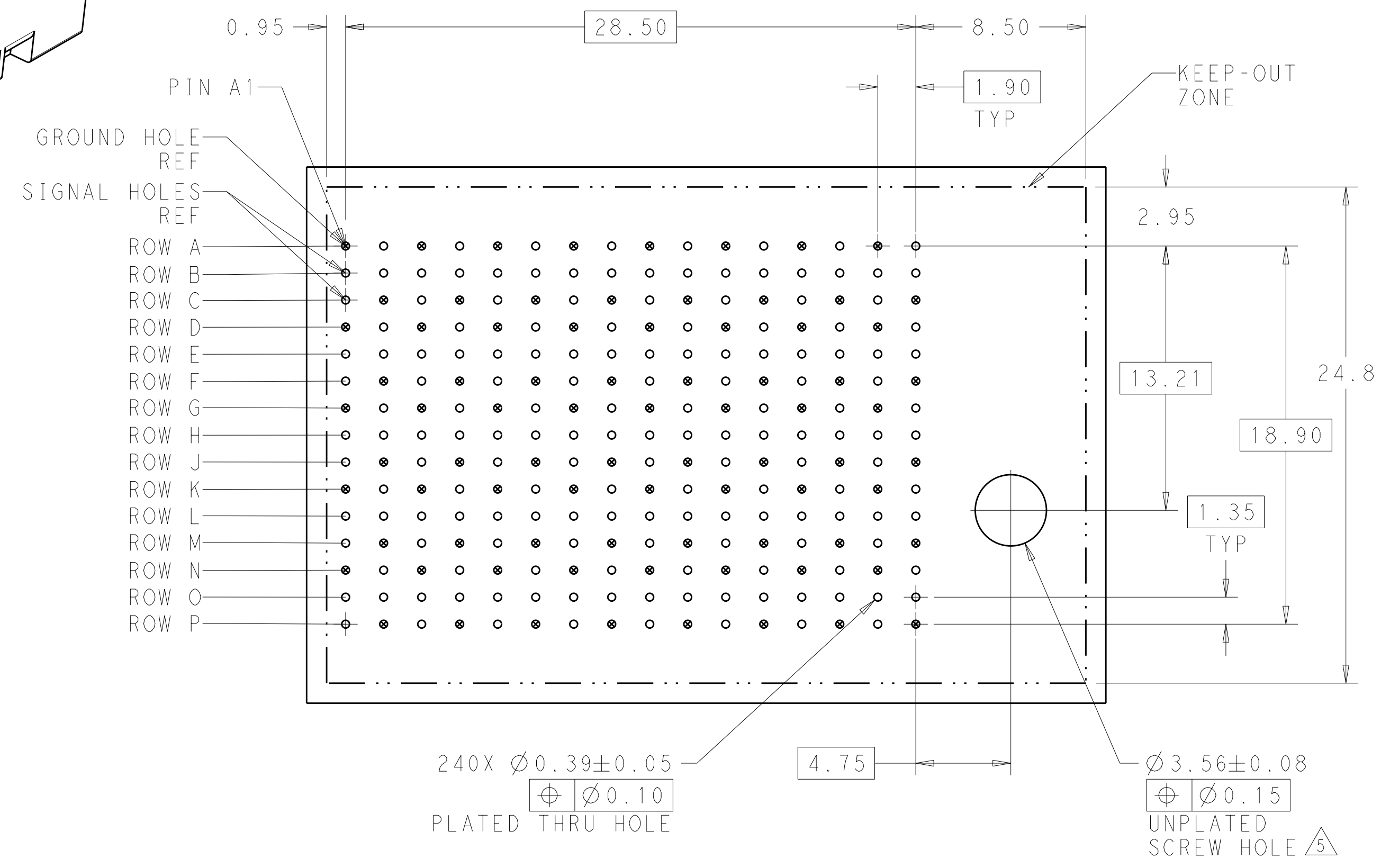


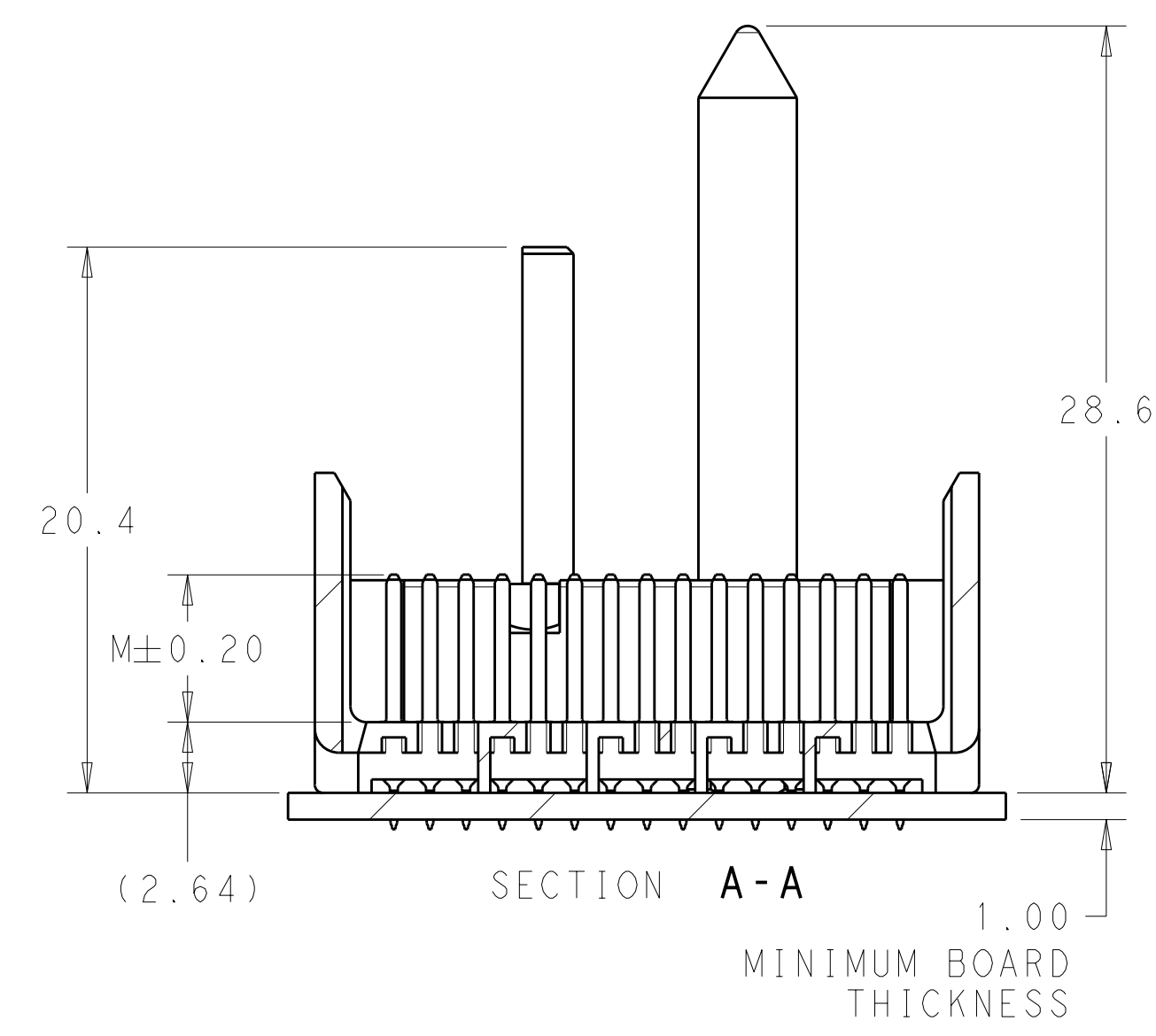
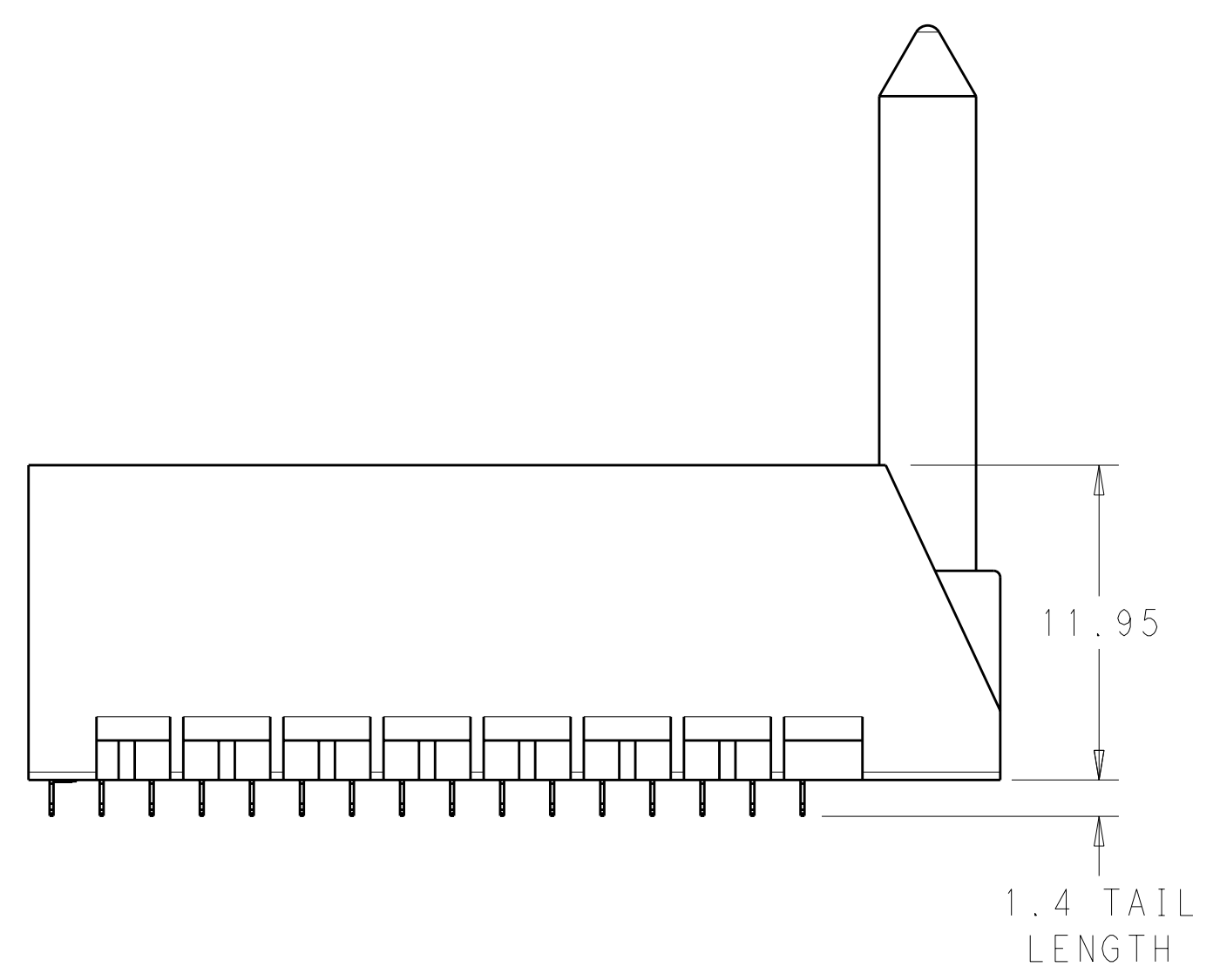
LOC		DIST		REVISIONS			
AD	00	P	LTG	DESCRIPTION	DATE	DWN	APVD
		B		REVISED PER ECO-11-025276	03JAN2012	KH	DY



- 1 MATERIAL:
HOUSING: LCP, GLASS FILLED, UL94V-0.
TERMINALS: HIGH PERFORMANCE COPPER ALLOY.
- 2 FINISH:
30µ" MIN GOLD IN CONTACT AREA. SELECTIVE TIN
ON PCB TAILS, NICKEL OVERALL.
- 3 FINISH:
30µ" MIN GOLD IN CONTACT AREA. SELECTIVE TIN-LEAD
ON PCB TAILS, NICKEL OVERALL.
- 4. SCREWS PACKAGED IN END OF PACKAGING TUBE.
- 5 FOR GROUNDED GUIDE PIN USE Ø3.56±0.08 PTH,
Ø3.66 DRILL, AND Ø6.5 PAD.
- 6. KEYING PIN SHOWN IN POSITION A, SEE KEYING CHART
ON SHEET 2 FOR OTHER POSITIONS.



RIGHT GUIDED
BACKPLANE HOLE PATTERN
(CONNECTOR SIDE)

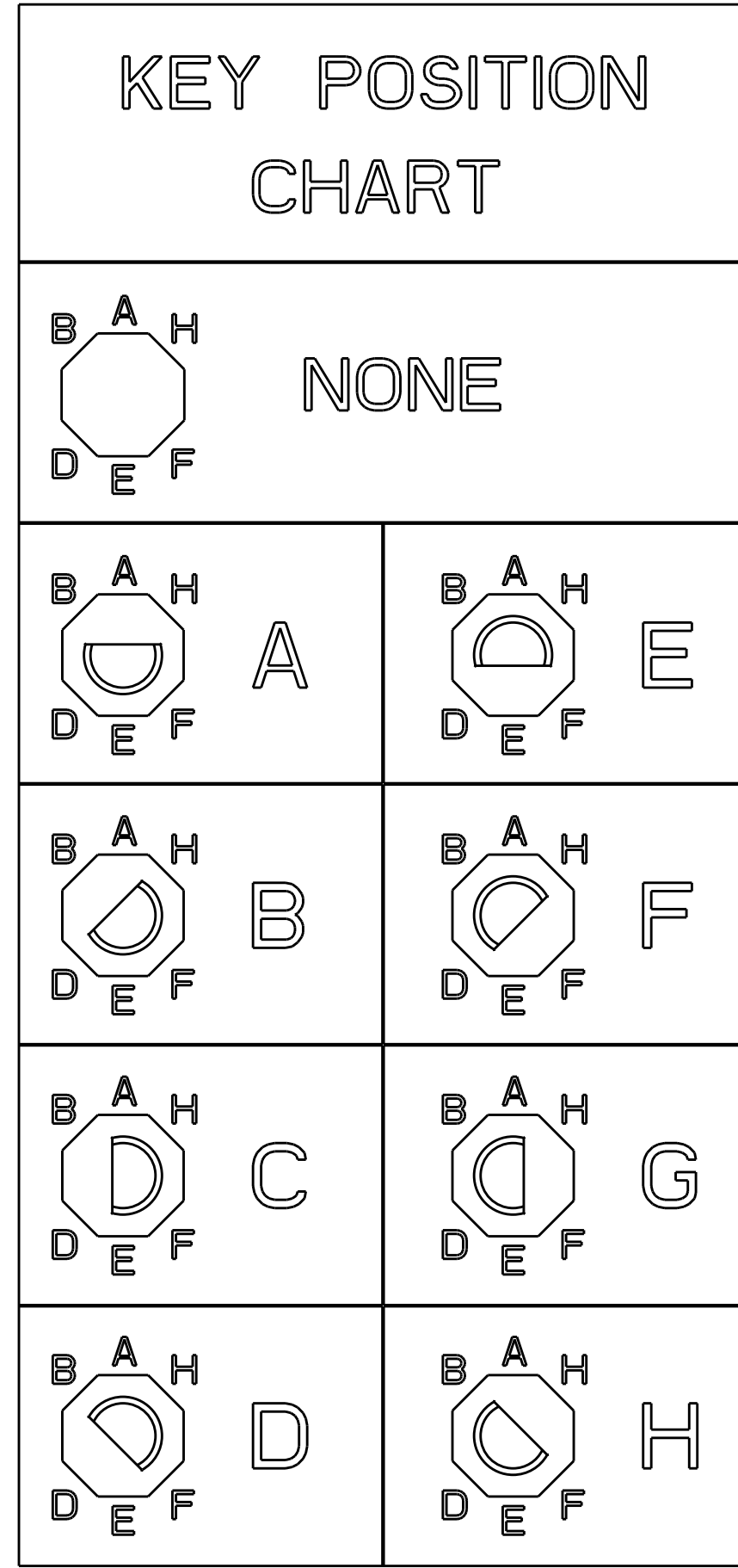


THIS DRAWING IS A CONTROLLED DOCUMENT.		DWN J. K. SHOBER 02FEB2011	TE Connectivity
DIMENSIONS:		CHK J. EARY 02FEB2011	
mm	TOLERANCES UNLESS OTHERWISE SPECIFIED:	APVD J. EARY 02FEB2011	NAME IMPACT, 5 PAIR, 16 COLUMN, HEADER
Ø	9 PLC ±	PRODUCT SPEC	RIGHT GUIDED, OPEN END WALL
Ø	1 PLC ±0.25	APPLICATION SPEC	SIGNAL MODULE, 0.39 PTH
Ø	3 PLC ±0.13	SIZE CAGE CODE DRAWING NO	RESTRICTED TO
Ø	4 PLC ±	WEIGHT	A100779C=2007861
Ø	5 PLC ±	CUSTOMER DRAWING	SCALE 4:1 SHEET 1 OF 2 REV B
Ø	6 PLC ±		
Ø	7 PLC ±		
Ø	8 PLC ±		
Ø	9 PLC ±		
Ø	10 PLC ±		
Ø	11 PLC ±		
Ø	12 PLC ±		
Ø	13 PLC ±		
Ø	14 PLC ±		
Ø	15 PLC ±		
Ø	16 PLC ±		
Ø	17 PLC ±		
Ø	18 PLC ±		
Ø	19 PLC ±		
Ø	20 PLC ±		
Ø	21 PLC ±		
Ø	22 PLC ±		
Ø	23 PLC ±		
Ø	24 PLC ±		
Ø	25 PLC ±		
Ø	26 PLC ±		
Ø	27 PLC ±		
Ø	28 PLC ±		
Ø	29 PLC ±		
Ø	30 PLC ±		
Ø	31 PLC ±		
Ø	32 PLC ±		
Ø	33 PLC ±		
Ø	34 PLC ±		
Ø	35 PLC ±		
Ø	36 PLC ±		
Ø	37 PLC ±		
Ø	38 PLC ±		
Ø	39 PLC ±		
Ø	40 PLC ±		
Ø	41 PLC ±		
Ø	42 PLC ±		
Ø	43 PLC ±		
Ø	44 PLC ±		
Ø	45 PLC ±		
Ø	46 PLC ±		
Ø	47 PLC ±		
Ø	48 PLC ±		
Ø	49 PLC ±		
Ø	50 PLC ±		
Ø	51 PLC ±		
Ø	52 PLC ±		
Ø	53 PLC ±		
Ø	54 PLC ±		
Ø	55 PLC ±		
Ø	56 PLC ±		
Ø	57 PLC ±		
Ø	58 PLC ±		
Ø	59 PLC ±		
Ø	60 PLC ±		
Ø	61 PLC ±		
Ø	62 PLC ±		
Ø	63 PLC ±		
Ø	64 PLC ±		
Ø	65 PLC ±		
Ø	66 PLC ±		
Ø	67 PLC ±		
Ø	68 PLC ±		
Ø	69 PLC ±		
Ø	70 PLC ±		
Ø	71 PLC ±		
Ø	72 PLC ±		
Ø	73 PLC ±		
Ø	74 PLC ±		
Ø	75 PLC ±		
Ø	76 PLC ±		
Ø	77 PLC ±		
Ø	78 PLC ±		
Ø	79 PLC ±		
Ø	80 PLC ±		
Ø	81 PLC ±		
Ø	82 PLC ±		
Ø	83 PLC ±		
Ø	84 PLC ±		
Ø	85 PLC ±		
Ø	86 PLC ±		
Ø	87 PLC ±		
Ø	88 PLC ±		
Ø	89 PLC ±		
Ø	90 PLC ±		
Ø	91 PLC ±		
Ø	92 PLC ±		
Ø	93 PLC ±		
Ø	94 PLC ±		
Ø	95 PLC ±		
Ø	96 PLC ±		
Ø	97 PLC ±		
Ø	98 PLC ±		
Ø	99 PLC ±		
Ø	100 PLC ±		

LOC		DIST		REVISIONS			
AD	00	P	LTB	DESCRIPTION	DATE	DWN	APVD
		-	-	SEE SHEET 1	-	-	-

3	H	5.5	8-2007861-6
3	H	4.9	8-2007861-5
3	H	4.5	8-2007861-4
2	H	5.5	8-2007861-3
2	H	4.9	8-2007861-2
2	H	4.5	8-2007861-1
3	G	5.5	7-2007861-6
3	G	4.9	7-2007861-5
3	G	4.5	7-2007861-4
2	G	5.5	7-2007861-3
2	G	4.9	7-2007861-2
2	G	4.5	7-2007861-1
3	F	5.5	6-2007861-6
3	F	4.9	6-2007861-5
3	F	4.5	6-2007861-4
2	F	5.5	6-2007861-3
2	F	4.9	6-2007861-2
2	F	4.5	6-2007861-1
3	E	5.5	5-2007861-6
3	E	4.9	5-2007861-5
3	E	4.5	5-2007861-4
2	E	5.5	5-2007861-3
2	E	4.9	5-2007861-2
2	E	4.5	5-2007861-1
3	D	5.5	4-2007861-6
3	D	4.9	4-2007861-5
3	D	4.5	4-2007861-4
2	D	5.5	4-2007861-3
2	D	4.9	4-2007861-2
2	D	4.5	4-2007861-1
3	C	5.5	3-2007861-6
3	C	4.9	3-2007861-5
3	C	4.5	3-2007861-4
2	C	5.5	3-2007861-3
2	C	4.9	3-2007861-2
2	C	4.5	3-2007861-1
3	B	5.5	2-2007861-6
3	B	4.9	2-2007861-5
3	B	4.5	2-2007861-4
2	B	5.5	2-2007861-3
2	B	4.9	2-2007861-2
2	B	4.5	2-2007861-1
3	A	5.5	1-2007861-6
3	A	4.9	1-2007861-5
3	A	4.5	1-2007861-4
2	A	5.5	1-2007861-3
2	A	4.9	1-2007861-2
2	A	4.5	1-2007861-1
3	-	5.5	2007861-6
3	-	4.9	2007861-5
3	-	4.5	2007861-4
2	-	5.5	2007861-3
2	-	4.9	2007861-2
2	-	4.5	2007861-1
FINISH	KEY POSITION	DIM M	PART NUMBER

REFER TO WWW.TE.COM
FOR PRODUCT AVAILABILITY



THIS DRAWING IS A CONTROLLED DOCUMENT.		DWN J. K. SHOBER 02FEB2011	STE TE Connectivity
DIMENSIONS: mm		CHK J. EARY 02FEB2011	
TOLERANCES UNLESS OTHERWISE SPECIFIED:		APVD J. EARY 02FEB2011	NAME IMPACT, 5 PAIR, 16 COLUMN, HEADER RIGHT GUIDED, OPEN END WALL SIGNAL MODULE, 0.39 PTH
9 PLC ±0.25		PRODUCT SPEC	
3 PLC ±0.13		APPLICATION SPEC	SIZE CAGE CODE DRAWING NO RESTRICTED TO
5 PLC ±		WEIGHT	A100779C=2007861
4 PLC ±		CUSTOMER DRAWING	SCALE 5:1 SHEET 2 OF 2 REV B
ANGLES ±			
FINISH SEE TABLE			