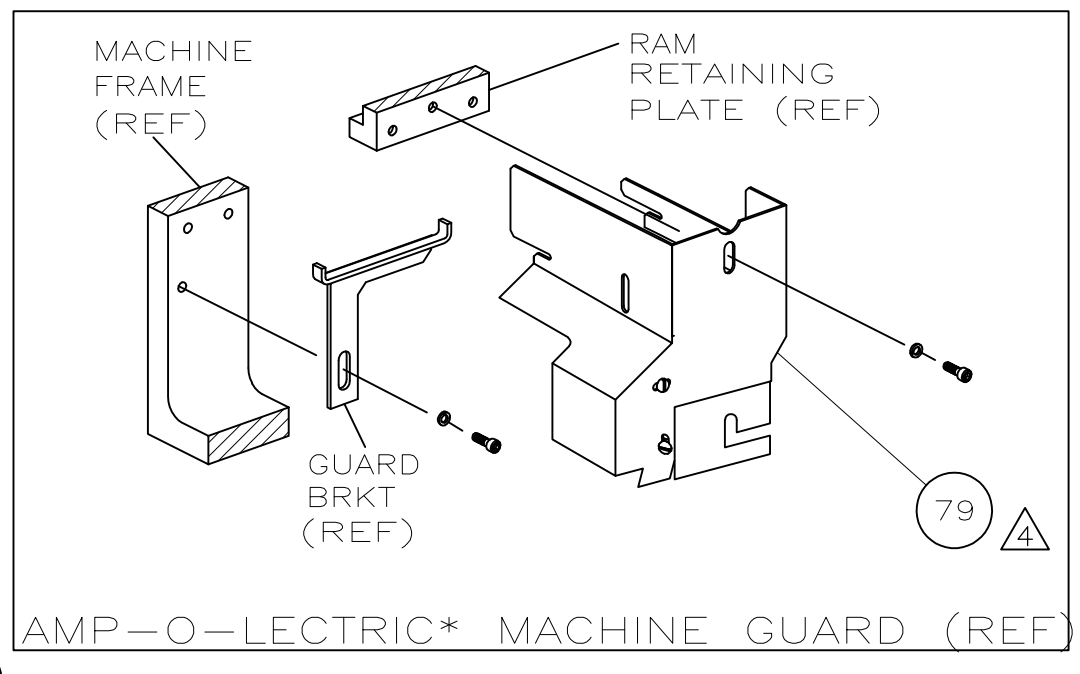


- NOTES:
- ▲ RECOMMENDED SPARE PARTS.
 - ▲ GREASE LIGHTLY.
 - ▲ LUBRICATE DAILY USING NO. 20 MACHINE OIL.
 - ▲ GUARD MUST BE IN PLACE WHEN OPERATING APPLICATOR IN AMP-O-ELECTRIC MACHINE.
 - 5. ITEMS WITH QTY OF REF SPECIFIED (EXCEPT ITEM 79) ARE USED ON ITEM 46.
 - ▲ GUIDE OFF OF STABILIZER BARREL.



TERMINAL NAME: LOCKING CLIP CONTACT FOR .064 SQ POST

87190		CRIMPING DATA	
87944		PAD LTR	WIRE SIZE
A	.040 ± .002	CRIMP HEIGHT	28 OR 30
B	NOT	CRIMP	USED
C	NOT	WIRE	USED
D	NOT	INSUL	USED
CRIMP	SIZE	TYPE	RANGE
WIRE	.042	F	28-30
INSUL	.055	0	.024-.039

MACHINE No. 565435-5
WIRE STRIP LENGTH - TERM APPL SPEC 114-25006 FEED .330 APPL INSTRUCTION 408-8040 SET UP GAGE 458637-1 LAYOUT 640

QTY	PART NO	DESCRIPTION	ITEM NO
			129
			128
			127
			126
			125
REF	21045-3	RING,RET "C"(.187φ)FEED FINGER PIN	124
			123
REF	5-21028-1	PIN,SLT SPR(.125φx.50)ADJ ROD	122
1	4-21028-0	PIN,SLT SPR(.093φx.75)ST GUIDE PL	121
REF	1-21030-1	PIN,DOWEL(.187φx.50)LEVER	120
REF	1-21030-6	PIN,DOWEL(.187φx1.25)HOUSING	119
			118
2	21024-5	WASHER,LOCK(NO.10)ADJ BLOCK	117
REF	21024-5	WASHER,LOCK(NO.10)ADJ PLATE	116
REF	21024-5	WASHER,LOCK(NO.10)FEED GUIDE ROD	115
2	21024-2	WASHER,LOCK(NO.4)FRONT STRIP GUIDE	114
			113
			112
4	21024-4	WASHER,LOCK(NO.8)STRIPPER	111
REF	21899-4	WASHER,FLAT(5/16 DIA)SCREW ADJ	110
1	21899-2	WASHER,FLAT((NO. 10)ADJ ASSY	109
1	21018-5	NUT,HEX(NO.6)HOLDDOWN	108
REF	21018-5	NUT,HEX(6-32)FEED ADJ	107
			106
			105
1	21009-2	SCR,SKT SET(1/4-20x.25LOC-WEL)RAM	103
2	21017-2	SCR,DRIVE(#2x.19)ID PLATE	102
REF	6-23715-5	SCR,PAN HD(6-32x1.50)FEED ADJ	101
1	461264-1	PLATE, IDENTIFICATION	100
2	5-21006-6	SCR,SET(10-32X.75)DRAG	99
1	22733-8	SCR,BHC(8-32x.38LOC-WEL)ANVIL	98
REF	2-21002-9	SCR,BHC(10-32x.75)CAP	97
REF	2-22733-8	SCR,BHC(1/4-20x.62)HOUSING	96
REF	2-21002-7	SCR,BHC(10-32x.50)SG ADJ BLOCK	95
6	2-21002-2	SCR,BHC(8-32x.50)SHEAR	94
			93
1	1424350-1	HOLDER, PIN, WIRED	92
1	1-21002-7	SCR,BHC(6-32x.38)CAM	91
			90
1	1490524-1	SPACER, DEPRESSOR	89
1	461679-3	CRIMPER STABILIZER	88
1	1424350-1	HOLDER, PIN, WIRED	87
1	2-22603-0	SCR,HEX HEAD(8-32x.31)FEED FINGER	86
2	1-21000-3	SCR,SKT CAP(4-40x.25)F STRIP GUIDE	85
1	2-21000-7	SCR,SKT CAP(8-32x.50)STRIPPER	84
REF	3-21000-7	SCR,SKT CAP(10-32x.75)FEED ROD GD	83
REF	3-21000-6	SCR,SKT CAP(10-32x.62)FEED ADJ BLK	82
2	3-21000-4	SCR,SKT CAP(10-32x.38)SG ADJ BL	81
REF	3-21000-4	SCR,SKT CAP(10-32x.38)PIVOT BLOCK	80
REF	462992-3	GUARD ASSY	79
1	1-465184-0	LUBRICATOR ASSY	78
REF	852931-2	OIL, LUBRICATING	77
1	1490525-3	WIRE DEPRESSOR	76
2	1-23147-4	SPRING, COMPRESSION	75
2	690603-1	SPRING, ASSIST	74
2	23030-1	SCR,SKT CAP(6-32x.25)CP DISC	73
REF	458109-1	WASHER, SPECIAL	72
REF	690517-1	SPACER	71
QTY	PART NO	DESCRIPTION	ITEM NO

LOC	DIST	REVISIONS			
F	LTR	DESCRIPTION	DATE	OWN	APVD
A	66	ECR-07-015383	6-2007	MY	GB

REF	PART NO	DESCRIPTION	ITEM NO
REF	22594-8	NUT, HEX	70
REF	240628-1	PLATE, ADJUSTMENT	69
REF	240626-1	SHAFT, PIVOT	68
REF	240633-1	BUSHING	67
REF	455680-1	LEVER, INTERMEDIATE	66
REF	240629-1	BLOCK, PIVOT	65
REF	240632-2	SCREW, ADJUSTMENT FEED ROD	64
REF	240659-3	PIN, CAM ROLLER	63
REF	240658-1	ROLLER, CAM	62
REF	454398-2	ROD, FEED	61
REF	454178-1	GUIDE, FEED ROD	60
REF	454220-1	CAP, HOUSING	59
REF	454485-1	HOUSING	58
			57
1	458537-2	PAWL, FEED	56
REF	240624-1	PIN, FEED FINGER	55
REF	691499-1	SPRING, FEED FINGER	54
REF	690541-1	FINGER, FEED	53
REF	455679-1	LEVER, TERMINAL FEED ARM	52
1	811242-2	BUMPER, HOLDDOWN	51
1	690753-1	SPACER, TONKER	50
1	7-21002-9	BOLT, CRIMPER(5/16-24x1.00)	49
1	690602-5	CAM, PRE-FEED 1 1/8 STROKE	48
			47
1	459456-1	APPLICATOR, BASIC (SUBASSY)	46
1	690191-1	PLUG, NYLON	45
1	455673-1	RAM	44
1	690125-1	WASHER, LAMINATED	43
1	690124-1	WASHER, RAM	42
			41
			40
2	23241-6	BALL, STEEL	39
2	690170-1	SPRING, COMPRESSION	38
1	690142-1	DISC, INSULATION	37
1	4-690141-9	DISC, WIRE	36
1	22480-5	WASHER, SPRING	35
1	690212-1	POST, RAM	34
1	460712-2	SUPPORT, TERMINAL	33
REF	455675-1	PLATE, BASE	32
1	690432-3	SCREW, ADJUSTMENT	31
			30
REF	455689-1	BLOCK, STRIP GUIDE ADJ	29
1	455671-3	PLATE, STRIP GUIDE	28
1	455888-9	SPACER, FRONT SHEAR DEP	27
2	1-22284-0	SPRING, DRAG	26
1	690546-1	LEVER, DRAG RELEASE	25
1	240792-1	DRAG, STOCK	24
1	690504-1	GUIDE, STRIP (REAR)	23
1	690438-1	GUIDE, STRIP (FRONT)	22
			21
REF	4-22284-9	SPRING, FEED RETURN	20
			19
1	691353-1	STRIPPER	18
			17
1	691667-1	GUARD, CHIP (FRONT)	16
			15
			14
			13
1	3-22280-3	SPRING, SHEAR	12
1	690461-1	STOP, SHEAR	11
1	690459-1	HOLDER, SHEAR (FRONT)	10
1	817723-1	SHEAR, FLOAT (FRONT)	9
1	9-690471-9	ANVIL	8
			7
			6
1	455889-9	DEPRESSOR, SHEAR (FRONT)	5
1	1-238011-3	SPACER, TUBULAR	4
1	3-683454-5	CRIMPER, INSULATION	3
			2
1	456401-1	CRIMPER, WIRE	1

THIS DRAWING IS A CONTROLLED DOCUMENT. DWN M. YOUNGER 11/21/88
CHK C. ERISMAN
APP'D B. WOLFF 2-24-89
NAME MINIATURE QUICK CHANGE APPLICATOR SIDE FEED (LOCKING CLIP CONTACT)
PRODUCT SPEC -
APPLICATION SPEC -
SIZE A1 CAGE CODE 00779 DRAWING NO 567310-2
RESTRICTED TO -
MATERIAL - FINISH - WEIGHT -
CUSTOMER DRAWING SCALE - SHEET 1 OF 1 REV F