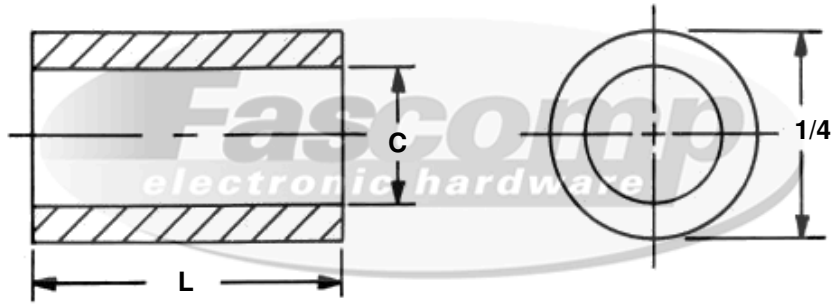




# 1/4 Round Spacers



Hex Code Table		
✓	FMXXXX	Length (L)
	FC1122	1/8
	FC1123	3/16
	FC1124	1/4
	FC1125	5/16
	FC1126	3/8
	FC1127	7/16
	FC1128	1/2
	FC1129	9/16
	FC1130	5/8
	FC1131	11/16
	FC1132	3/4
	FC1133	13/16
	FC1134	7/8
	FC1135	15/16
	FC1136	1
	FC1137	1-1/16
	FC1138	1-1/8
	FC1139	1-3/16
	FC1140	1-1/4
	FC1141	1-5/16
	FC1142	1-3/8
	FC1143	1-7/16
	FC1144	1-1/2
	FC1145	1-9/16
	FC1146	1-5/8
	FC1147	1-11/16
	FC1148	1-3/4
	FC1149	1-13/16
	FC1150	1-7/8
	FC1151	1-15/16
	FC1152	2

**Create a part number:**

Length	Clearance	Material	Finish
FCXXXX	XX	XX	XX
_____ - _____ - _____ - _____			

Hole Clearance Code (XX)		
✓	Code (XX)	C + .010
	2	.090
	4	.115
	6	.140
	8	.166

Material		
✓	Material Code (XX)	
	A	Aluminum
	B	Brass
	S	Steel
	SS	Stainless Steel
	N	Nylon

✓	Compatible Finish (XX)	
	A, B, S, SS	0 - Plain
	B, S	5 - Nickel Plate (QQ-N-290)
	A	6 - Iridite #14 Gold (MIL-C-5541E)
	A	7 - Iridite Clear (MIL-C-5541E)
	A	9 - Alodine 1200
	B, S	12 - Zinc Clear (ASTM-B-633)
	B, S	16 - Electro Tin (MIL-T-10727 TYPE 1)
	SS	20 - Passivation (MIL-F-14072D)
	A	22 - Clear Anodize (MIL-A-8625-TYPE2) (Sulphuric) Hot Water Seal (Clear)
	A	24 - Black Anodize (MIL-A-8625)
	B, S, SS	26 - Black Oxide
	B, S	28 - Zinc Yellow (ASTM-B-633)



**Tolerances**  
**Unless otherwise Specified**  
 .xxx +/- .005  
 .xx +/- .010  
 Angular +/- 1 Degree  
 Linear +/- .005  
**Break all sharp edges**

Source Control Drawing:  
 To be produced by  
 Fascomp Electronic Hardware

This document is the property of Fascomp Inc. and shall not be reproduced, distributed, or used as a basis for manufacturing without written permission from Fascomp Inc.