

1 2 3 4 5 6 7 8

F

E

D

C

B

A

F

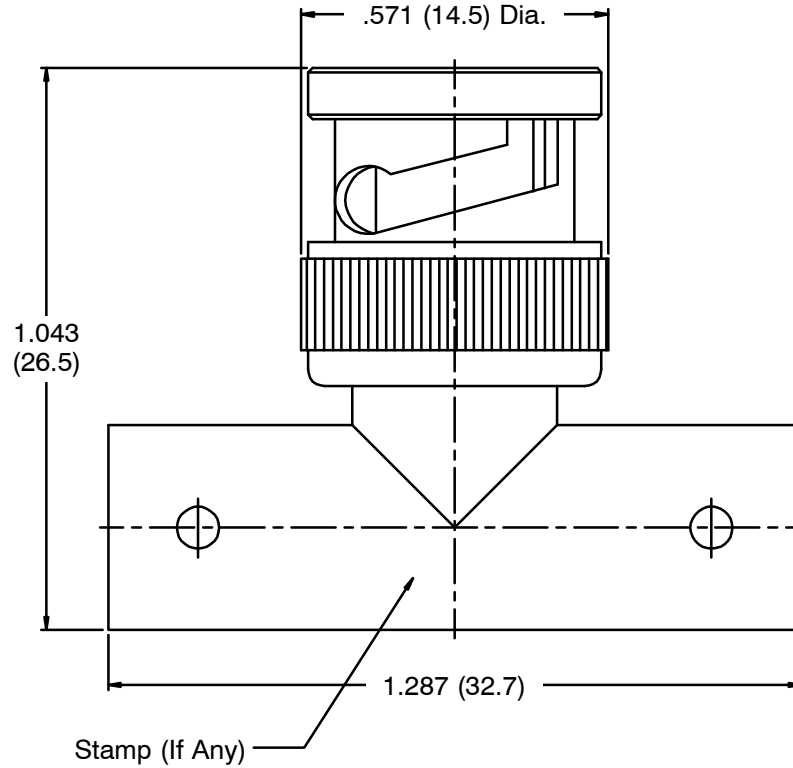
E

D

C

B

A



NOTES: Finish (Plating Thickness in Micro-inches)  
 1. Brass  
 2. Nickel Pl. 100 Min. Thick over Copper Pl. 50 Min. Thick  
 3. Gold Pl. 3 Min Thick over Nickel Pl. 50 Min. Thick over Copper Pl. 50 Min. Thick  
 4. DELRIN  
 5. Zinc Diecast

11	Gasket	Rubber	Red	1	
10	Lock Ring	Iron	Note 2	1	
9	Spring	SK5	Note 2	1	
8	Washer	Iron	Note 2	1	
7	Insulator	Note 4	Natural	1	
6	Contact Pin	Note 1	Note 3	1	
5	Washer	Note 1	Note 2	1	
4	Insulator	Note 4	Natural	1	
3	Contact Pin	Note 1	Note 3	1	
2	Body	Note 5	Note 2	1	
1	Shell	Note 1	Note 2	1	
No.	Description	Material	Finish	Q'ty	Drawing No.

RoHS Compliant

Dimensions are in Inches			Part No.		<h1>NTE Electronics</h1>
Unless Otherwise Specified Tolerances			Approved	Date	
0.5-6 = ±0.2			Checked	Date	
6-30 = ±0.4			Drawn	Date	
30-120 = ±0.6					Title
120-315 = ±1					BNC "T" Adapter Jack-Plug-Jack
315-1000 = ±1.6					Drawing No.
1000-2000 = ±2.4					06-B024
					File No.

1 2 3 4 5 6 7 8