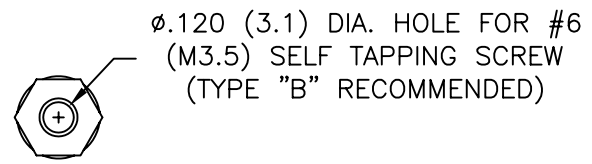
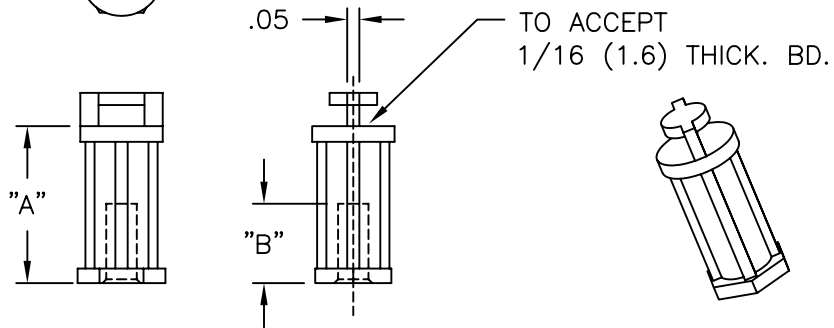
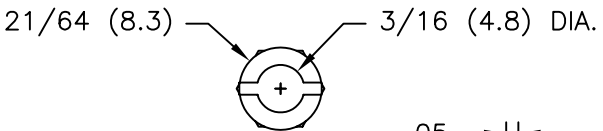
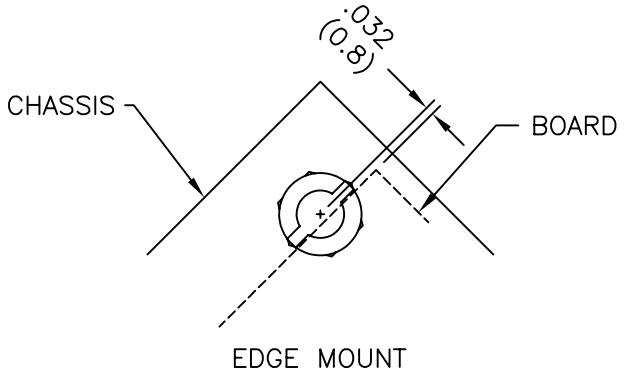
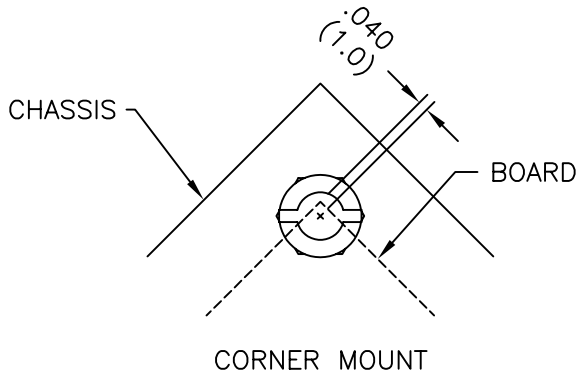


PART NO.	"A"	"B"
TCEHCBS-4-01	1/4 (6.4)	13/64 (5.2)
TCEHCBS-6-01	3/8 (9.5)	5/16 (7.9)
TCEHCBS-8-01	1/2 (12.7)	
TCEHCBS-10-01	5/8 (15.9)	
TCEHCBS-12-01	3/4 (19.1)	
TCEHCBS-14-01	7/8 (22.2)	



- NOTES:
 1. MATERIAL: NYLON 6/6 (RMS-01),
 FLAME RETARDANT NYLON (RMS-19),
 AVAILABLE BY SPECIAL ORDER ONLY.
 2. COLOR: NATURAL.

REV	DESCRIPTION	ENGR	DATE
A	ADDED MOUNTING PATTERN	SM	10.24.01

TITLE: SCREW MOUNT CORNER/EDGE HOLDING CBS				DWG IN IN (MM) FINAL		PRINT TYPE CA	
TOLERANCES UNLESS NOTED .XX=±.010 .XXX=±.005 FRAC=±1/64 ANG=±1°		FILE # TCEHCBS	DWN: SM	APP:	PART # SEE TABLE		PRINT TYPE CA
		MAT'L: SEE NOTES	DT: 10/22/01	DT:			
		RE: RICHCO, INC.	RICHCO INC. PO BOX 804238, CHICAGO, 60680 (773) 539-4060				