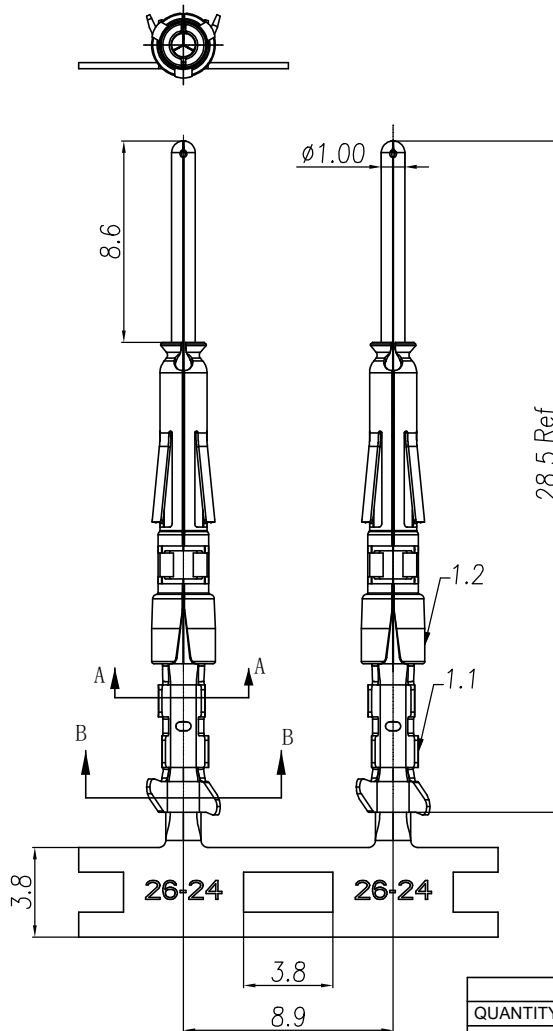


CONTACT ORIENTATION ON ROLL

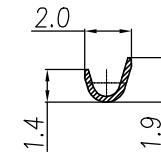
NOTES: (UNLESS OTHERWISE SPECIFIED)

1. MATERIAL:
 - 1.1. CONTACT BODY: COPPER ALLOY.
 - 1.2. OUTER SPRING: STAINLESS STEEL.
2. SPECIFICATIONS:
 - 2.1 CURRENT RATING: 5A MAX.
 - 2.2 TERMINATION TYPE: CRIMPING.
 - 2.3 WIRE RANGE: 26~24AWG.
 - 2.4 WIRE INSULATION DIA(MAX): Ø2.2mm.
3. RoHS COMPLIANT.
4. ALL DIMENSIONS ARE FOR REFERENCE USE ONLY.
5. AVAILABLE TOOLS:
 - 5.1 HAND CRIMPER: MFX-3958 (A3)
 - 5.2 CRIMP APPLICATOR: MFX-3957.
 - 5.3 EXTRACTION TOOL: QXRT20.

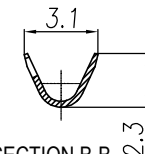
P/N	CONTACT PLATING(MATING AREA)
SP24W2T	TIN PLATING OVER NICKEL.
SP24W2N	NICKEL PLATING OVER COPPERIZE.
SP24W2F	GOLD FLASH PLATING OVER NICKEL.
(A2) SP24W2G5	5μ"GOLD PLATING OVER NICKEL.
SP24W2G10	10μ"GOLD PLATING OVER NICKEL.
SP24W2G15	15μ"GOLD PLATING OVER NICKEL.
SP24W2G30	30μ"GOLD PLATING OVER NICKEL.



REVISIONS					
REV	ECO	DESCRIPTION	DATE	BY	APPR
A1	-	RELEASED DRAWING	Nov-9-17	Rookie	Tommy
A2	-	ADD THE G5 PART NUMBER	Jan-28-19	Blink	Tommy
A3	-	CHANGE HAND CRIMPER	Nov-8-19	Flan	Tommy



SECTION A-A



SECTION B-B

QUANTITY	PART NUMBER	DESCRIPTION	ITEM
MATERIALS LIST			
UNLESS OTHERWISE SPECIFIED 1) All dimensions are in metric(mm). 2) Tolerances are as follows: 1 PL DEC ±0.30 2 PL DEC ±0.15 3 PL DEC ±0.08 Fractions ±1/64 Angles ±1° 3) Note reference =		SIGNATURES DRAWN: Flan Nov-8-19 CHECKED: Marin Nov-8-19 ENGINEER: APPROVAL: Tommy Nov-8-19 CUSTOMER:	Amphenol Sine Systems - www.amphenol-sine.com 44724 Morley Drive Clinton Township, MI 48036
MATERIAL SPECIFICATIONS: PROCESS SPECIFICATIONS: NEXT ASSY:		THIS DRAWING IS SUPPLIED FOR INFORMATION ONLY. DESIGN FEATURES, SPECIFICATIONS AND PERFORMANCE DATA SHOWN HEREON ARE THE PROPERTY OF THE AMPHENOL CORPORATION. NO RIGHTS OF REPRODUCTION ARE IMPLIED. ALL DIMENSIONS ARE SUBJECT TO NORMAL MANUFACTURING VARIATIONS.	ECO-MATE, PIN CONTACT, STAMPED, 24-26AWG, SIZE 20 SIZE TYPE DWG NO. SP24W2XX REVISION A3 SCALE NONE SHEET 1 OF 1

TITLE: ECO-MATE PIN CONTACT, STAMPED, 24-26AWG, SIZE 20
DWG NO: SP24W2XX
REV: A3
SH: 1
OF: 1