

EV-T1G2C-1AC15A-5,0M14ASBK01 - AC charging cable



1628014

<https://www.phoenixcontact.com/pc/products/1628014>

Please be informed that the data shown in this PDF document is generated from our online catalog. Please find the complete data in the user documentation. Our general terms of use for downloads are valid.



CHARX connect, AC charging cable, with vehicle charging connector and open cable end, for charging electric vehicles (EV) with alternating current (AC) via type 1 vehicle charging inlets, with protective cap, Type 1, SAE J1772, housing: black, gray, PHOENIX CONTACT logo, cable: 5 m, black, straight

Product description

AC charging cable with vehicle charging connector and free cable end for charging electric vehicles (EV) with alternating current (AC) via type 1 vehicle charging inlets, for installation at charging stations for e-mobility (EVSE)

Your advantages

- Complete product range
- Convenient handling due to the ergonomic, triple award-winning design
- Available with your logo on request – for consistent branding of your charging station
- Longitudinal water tightness reliably prevents water ingress
- Developed and produced in accordance with the IATF 16949 automotive standard and ISO 9001
- Tested in accordance with automotive standards LV124, LV214, and LV215-2
- Tested in accordance with EV Ready 37 requirements
- Laser-marked mating face in accordance with DIN EN 17186

Commercial data

Item number	1628014
Packing unit	1 pc
Minimum order quantity	1 pc
Product key	XWBAAA
Catalog page	Page 26 (C-7-2019)
GTIN	4055626377308
Weight per piece (including packing)	1,373 g
Weight per piece (excluding packing)	1,302 g
Customs tariff number	85444290
Country of origin	PL

EV-T1G2C-1AC15A-5,0M14ASBK01 - AC charging cable



1628014

<https://www.phoenixcontact.com/pc/products/1628014>

Technical data

Product properties

Product type	AC charging cable
Product family	CHARX connect
Application	for charging electric vehicles (EV) with alternating current (AC) via type 1 vehicle charging inlets for installation at charging stations for electromobility (EVSE)
Type	AC charging cable with vehicle charging connector and open cable end
Design	with protective cap
Affixed logo	PHOENIX CONTACT logo
Charging mode	AC level 2
Charging standard	Type 1

Electrical properties

Type of charging current	AC single-phase
Charging power	3.75 kW
Charging current	15 A

Material specifications

Color (Housing)	black (9005)
Color (Handle area)	gray (7042)
Color (Mating face)	black (9005)
Color (Protective cap)	black (9005)
Color (Cable)	black (9005)

Cable/line

Cable length	5 m
Wiring standards/regulations	UL 62 FFSO7.E343212
Cable weight	max. 155 kg/km
Cable type	straight
Cable structure	3 x 14 AWG + 1 x 20 AWG
External cable diameter	10.5 mm ±0.3 mm
Outer sheath, material	TPE
Stripping length of the sheath	70 mm ±5 mm
Cable resistance	≤ 0.00888 Ω/m (based on a power core, at an ambient temperature of 20°C)
Bending radius	min. 157.5 mm (15x diameter)
Cable length	5 m
Stripping length	70 mm ±5 mm
External cable diameter	10.5 mm ±0.3 mm
Wiring standards/regulations	UL 62

EV-T1G2C-1AC15A-5,0M14ASBK01 - AC charging cable



1628014

<https://www.phoenixcontact.com/pc/products/1628014>

	FFSO7.E343212
Cable resistance	$\leq 0.00888 \Omega/\text{m}$ (based on a power core, at an ambient temperature of 20°C)

Standards and regulations

Standards

Standards/regulations	SAE J1772
-----------------------	-----------

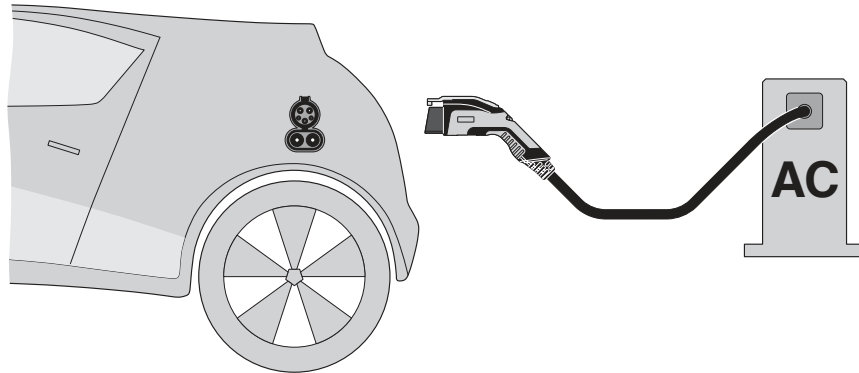
EV-T1G2C-1AC15A-5,0M14ASBK01 - AC charging cable

1628014

<https://www.phoenixcontact.com/pc/products/1628014>

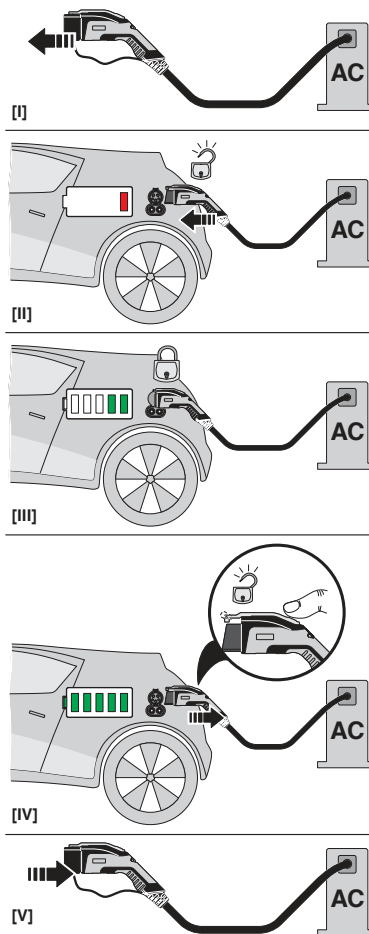
Drawings

Schematic diagram



Terminology definition

Schematic diagram



Operating instructions

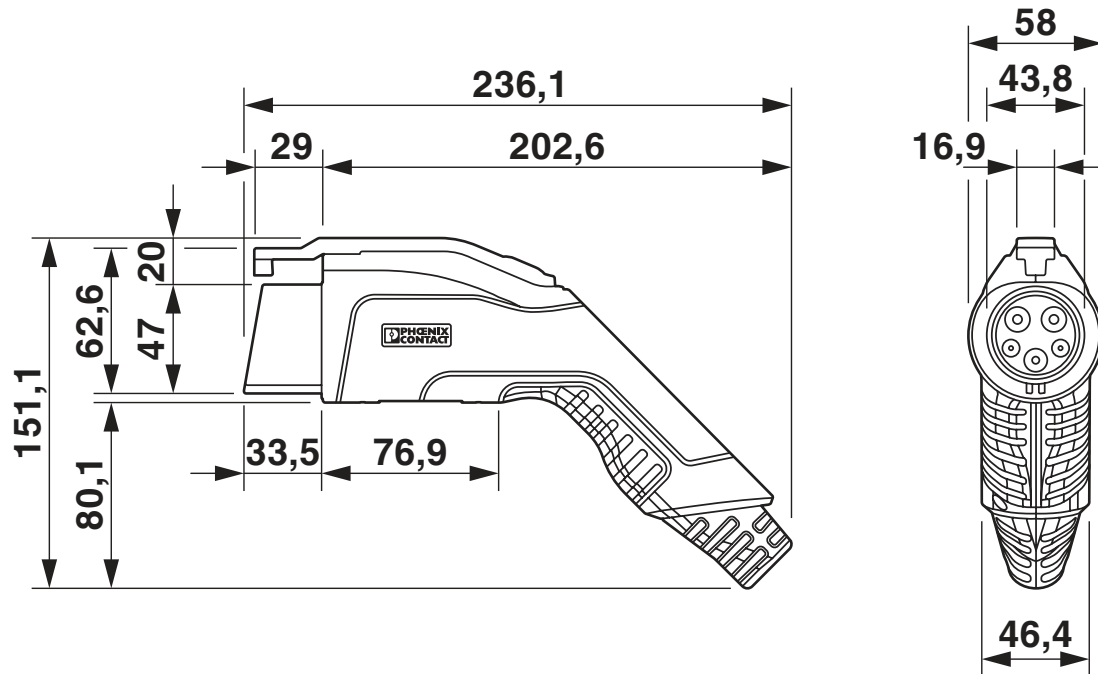
EV-T1G2C-1AC15A-5,0M14ASBK01 - AC charging cable



1628014

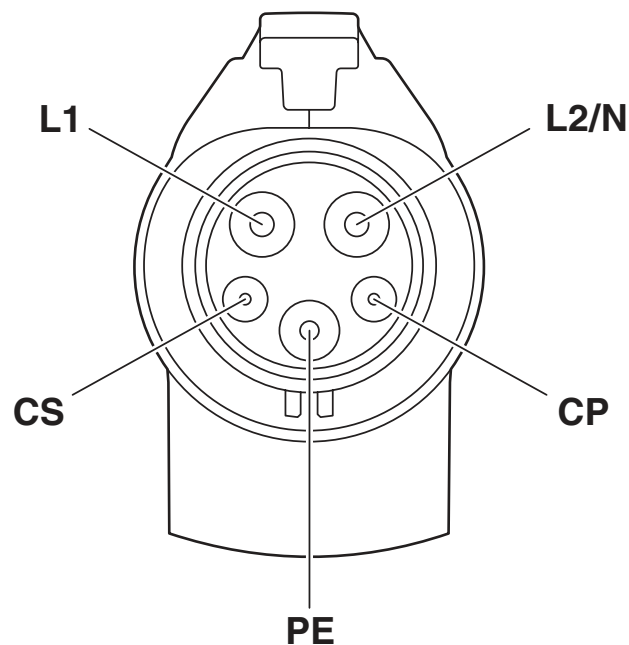
<https://www.phoenixcontact.com/pc/products/1628014>

Dimensional drawing



Make sure that the vehicle charging connector is placed in an appropriate charging connector holder, which ensures a minimum protection rating of IP24 in accordance with IEC 61851-1, for the entire time between charging. To create this charging connector holder, use the dimensions of the vehicle charging connector. Detailed dimensions can also be found in the Download area.

Connection diagram



Pin assignment of the Vehicle Connector

EV-T1G2C-1AC15A-5,0M14ASBK01 - AC charging cable



1628014

<https://www.phoenixcontact.com/pc/products/1628014>

Classifications

ECLASS

ECLASS-11.0

27144705

ETIM

ETIM 8.0

EC002897

UNSPSC

UNSPSC 21.0

39121500

EV-T1G2C-1AC15A-5,0M14ASBK01 - AC charging cable



1628014

<https://www.phoenixcontact.com/pc/products/1628014>

Environmental product compliance

China RoHS	Environmentally Friendly Use Period = 10; For information on hazardous substances, refer to the manufacturer's declaration available under "Downloads"
------------	---

EV-T1G2C-1AC15A-5,0M14ASBK01 - AC charging cable



1628014

<https://www.phoenixcontact.com/pc/products/1628014>

Accessories

EV-T1AC-PARK - Charging connector holder

1624139

<https://www.phoenixcontact.com/pc/products/1624139>



CHARX connect, Charging connector holder, Accessories, for vehicle charging connectors on charging stations (EVSE), Type 1, SAE J1772, Front mounting, housing: black

G-INS-M20-S68N-PNES-BK - Cable gland

1411133

<https://www.phoenixcontact.com/pc/products/1411133>



Cable gland, material for screw connection: PA, external cable diameter 6 mm ... 12 mm, shielding: no, connecting thread: M20 x 1.5, color: jet black RAL 9005

Phoenix Contact 2023 © - all rights reserved

<https://www.phoenixcontact.com>

PHOENIX CONTACT GmbH & Co. KG

Flachsmarktstraße 8

D-32825 Blomberg

+49 (0) 5235-3 00

info@phoenixcontact.com