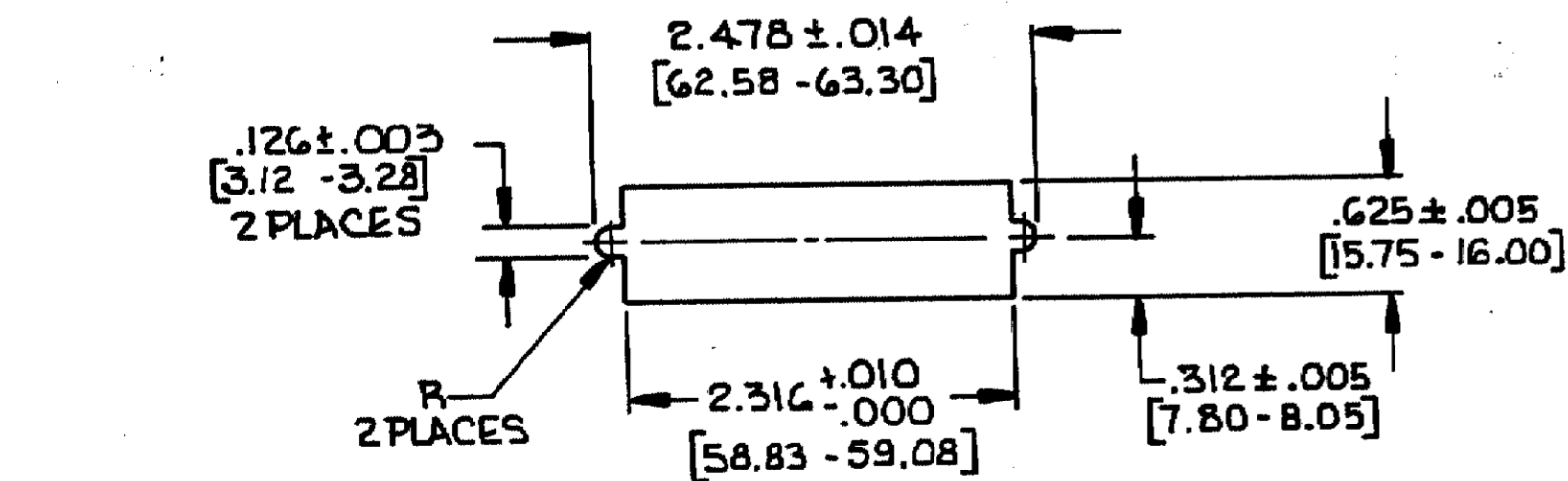
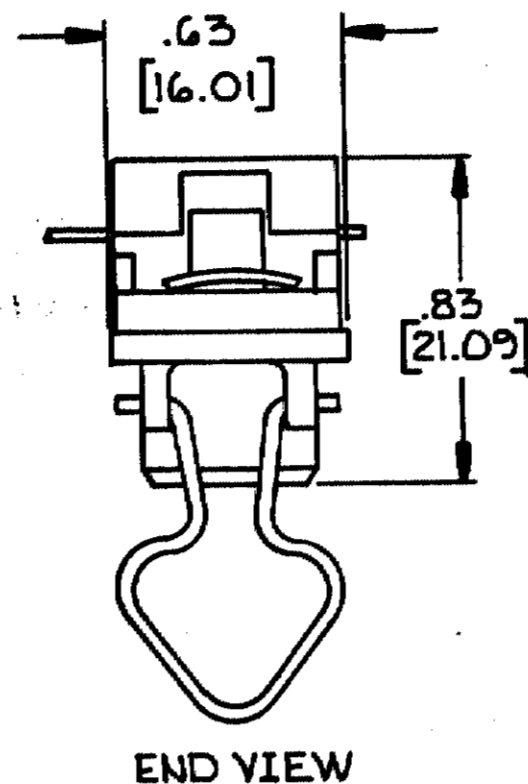
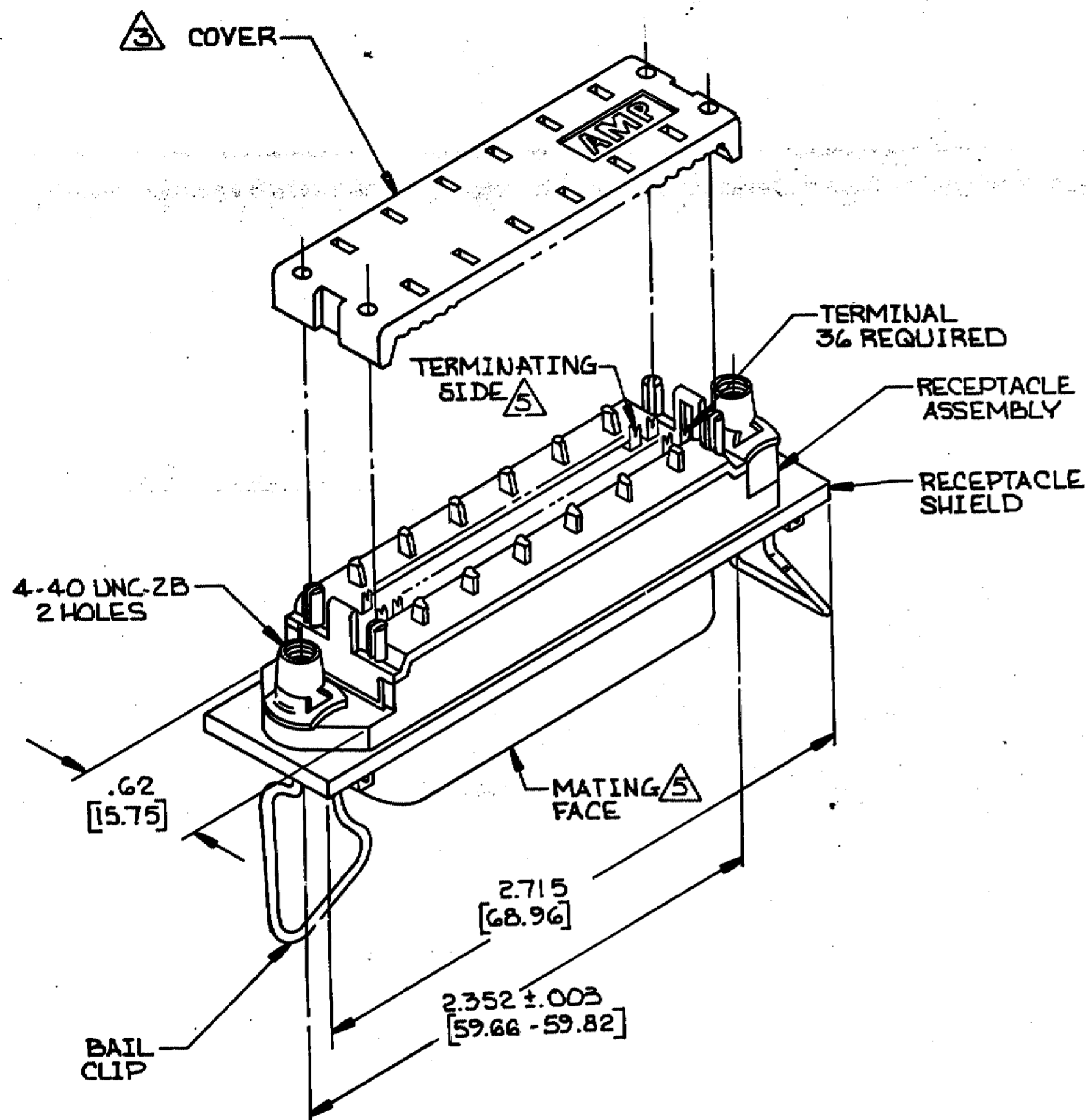


LOC		DIST		REVISIONS				DATE	APPO
AA	20	P	F	ZONE	LTR	DESCRIPTION			
		0				RLSD:NPR C90-45	2-25-90	DB	



△ SUGGESTED REAR PANEL MOUNTING CUTOUT DIMENSIONS

1. THE CONTACT SURFACES OF THE TERMINALS ARE COATED WITH LUBRICANT.
- △ 2. MATERIAL : HOUSING AND COVER - POLYPHENYLENE OXIDE, BLACK.  
 TERMINALS - PHOS BRONZE PLATED WITH .000030 [0.76 μm] MINIMUM GOLD IN CONTACT AREA ON MATING FACE AND .000001 [0.03 μm] MINIMUM GOLD FLASH ON TERMINATING SIDE OVER .000050 [1.27 μm] MINIMUM GOLD NICKEL UNDERPLATE OVER ENTIRE TERMINAL SHIELD - NICKEL PLATED DIE CASTING.  
 BAIL CLIPS - PASSIVATED STAINLESS STEEL.  
 HARDWARE - ZINC PLATED STAINLESS STEEL.
- △ 3. COVER SHOWN LOOSE BUT SHIPPED ASSEMBLED.
4. WIRE RANGE : 26 AWG SOLID THRU 30 AWG SOLID AND 28 AWG STRANDED RIBBON CABLE.
- △ 5. MATING FACE CONSISTS OF TWO ROWS OF TERMINALS ON .085 [2.16] CENTERS. TERMINATING SIDE CONSISTS OF TERMINALS ON .100 [2.54] CENTERS FOR AN EFFECTIVE .050 [1.27] TERMINATION.
- △ 6. PANEL THICKNESS RANGE : .062 MAX.
7. FOR MORE INFORMATION REFER TO AMP PRODUCT SPECIFICATION 108-6076 AND APPLICATION SPEC 114-6030.
8. ALL DIMENSIONS SHOWN ARE MAXIMUM UNLESS OTHERWISE SPECIFIED.
9. DIMENSIONS IN BRACKETS [ ] ARE IN MILLIMETERS.

WAS 88-1250-1-1

555983

555983-1

PART NO

DO NOT SCALE PRINT.  
 UNLESS SPECIFIED  
 DIMENSIONS IN INCHES [mm]  
 TOLERANCES ON:  
 2 PLC DEC ±  
 3 PLC DEC ±  
 ANGLES ±

DR DB 2-25-90

CHK E. Fox 3-19-90

APPD [Signature] 3/19/90

APPD [Signature] 2-13-90

PRODUCT SPEC

**AMP** AMP INCORPORATED  
 Harrisburg, Pa. 17105

NAME  
 RECEPTACLE ASSEMBLY, 36  
 POSITION, SHIELDED, LOW PROFILE,  
 BAIL LOCK, CHAMP LATCH

FINISH

△ 2

APPLICATION SPEC

SIZE  
**C**

FSCM NO  
 00779

DRAWING NO  
 555983

WEIGHT

SCALE 2:1

SHEET 1 OF 1