

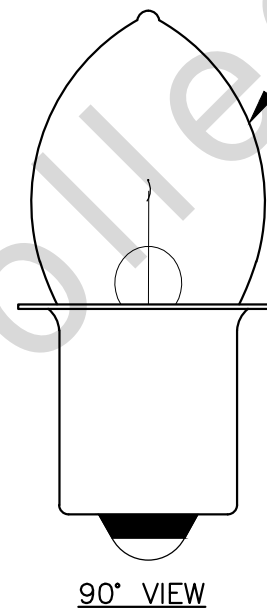
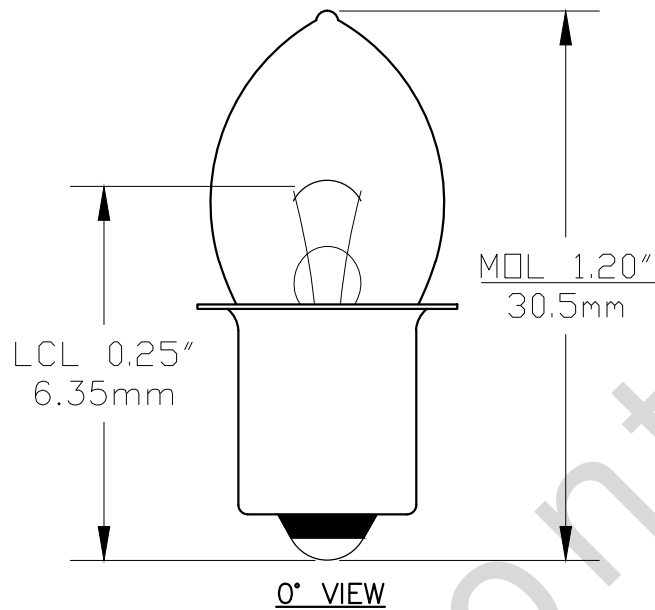


Since 1959

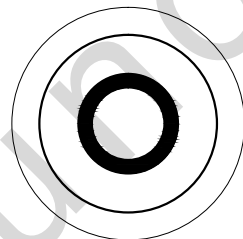
PART NO.	BASE TYPE	DESIGN VOLTS	DESIGN AMPS	MSCD	AVERAGE LIFE HOURS
KPR103	S.C. Miniature Flanged P13.5s	3.6V	0.70A	2.7CD	15

REVISIONS

REV #	DESCRIPTION	DATE	APPROVED
1	ADDRESS CHANGE	02/04/2005	S.L.
2	REVISED LIFE HRS, WATTS, AMPS	10/11/2021	M.L.



B-3 1/2 BULB SHAPE
Clear Glass



UNLESS OTHERWISE SPECIFIED:
DIMENSIONS ARE IN INCHES
TOLERANCES
DECIMALS .XX ± .05 ANGULAR ± 0.5°
.XXX ± .010
FRACTIONAL ± 1/64

CEC INDUSTRIES LTD

599 BOND STREET

LINCOLNSHIRE, IL 60069

DRAWN ANNA SOLOVEYCHIK	DATE 06/11/2003	TITLE LIGHT BULB NO. KPR103		
CHECKED	SIZE A	FSCM NO.	DWG NO. KPR103	REV 2
DESIGN	SCALE	PLOT SCALE	SHEET 1 OF 1	
MATERIAL	FILE KPR103.pdf	DRAWING NOT TO SCALE		