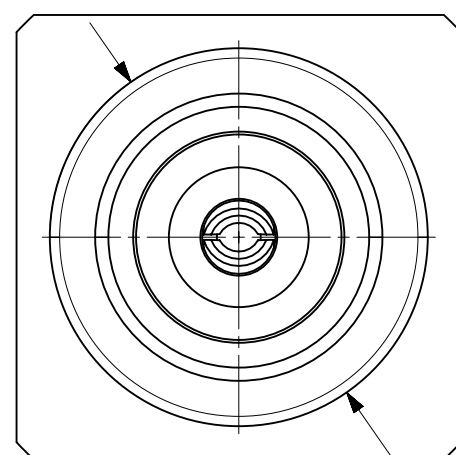
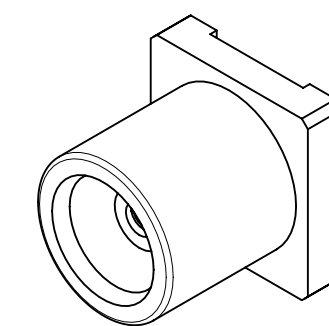


MATERIALS AND FINISHES:

BODY: BRASS
PLATED GOLD

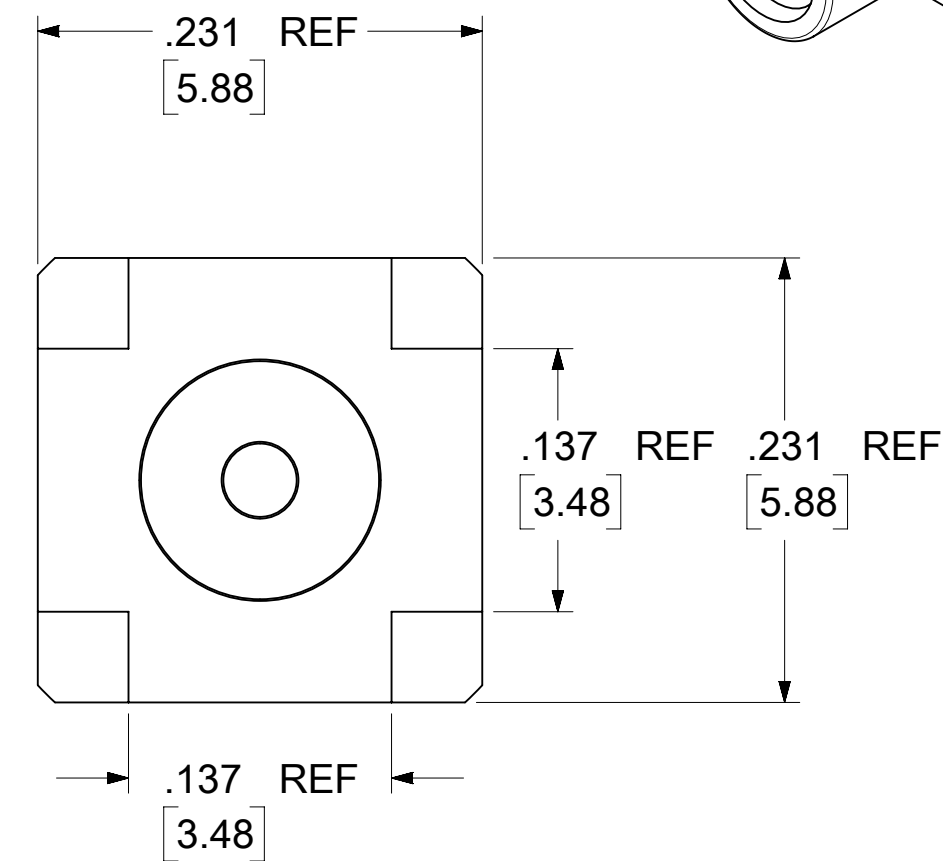
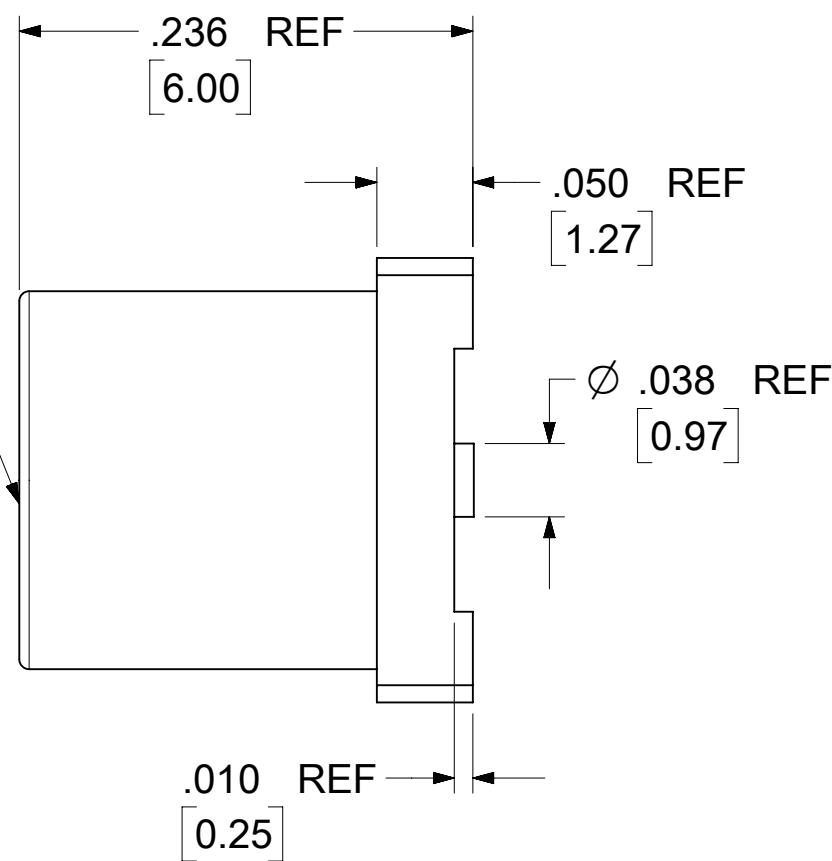
CENTER CONTACT: PHOSPHOR BRONZE
PLATED GOLD

INSULATOR: TEFLON



Ø .197 REF
[5.00]

MCX JACK
INTERFACE

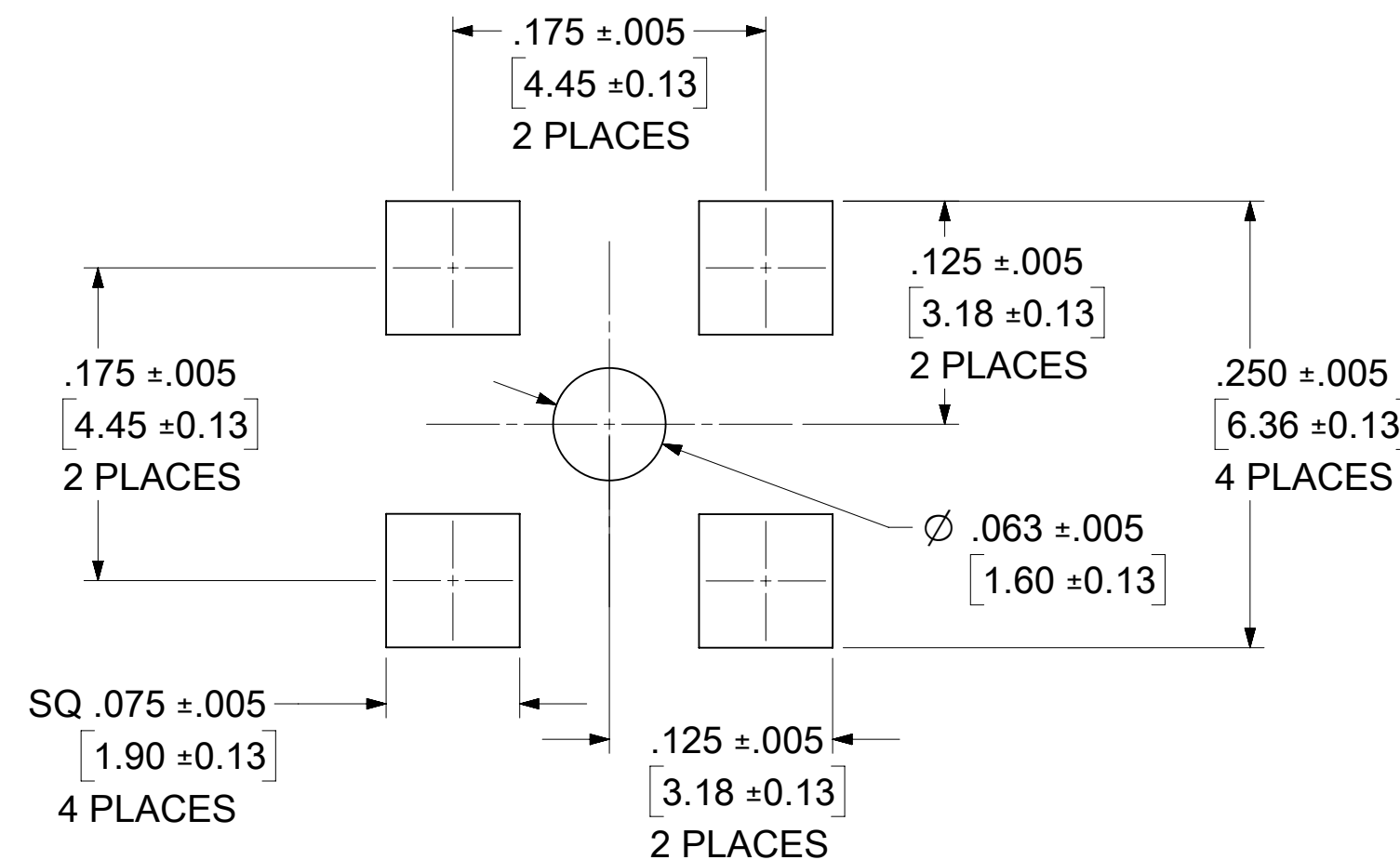


LABEL WITH EACH BAG
FOR 73415-4503

MOLEX P/N: 73415-4503
DATE: YYWW

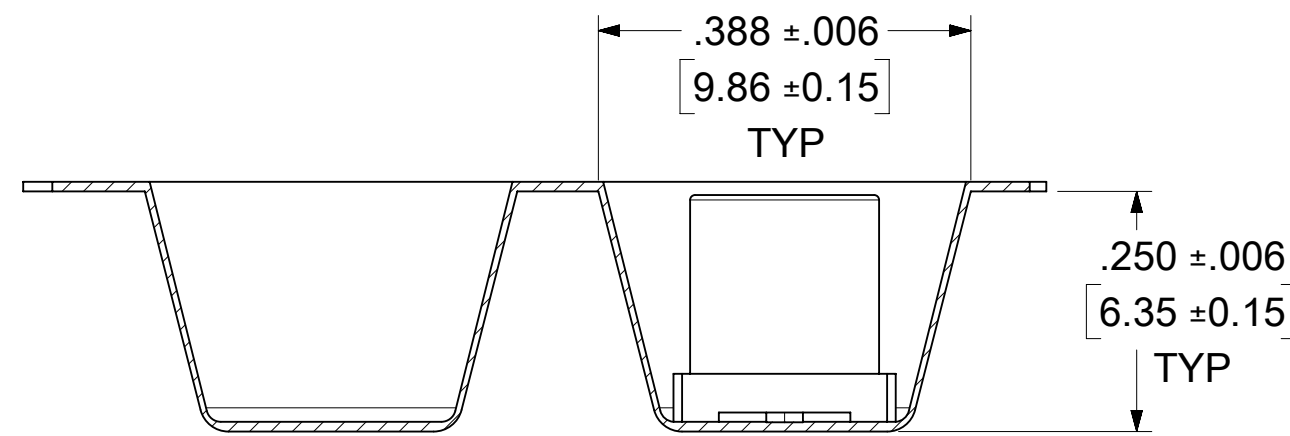
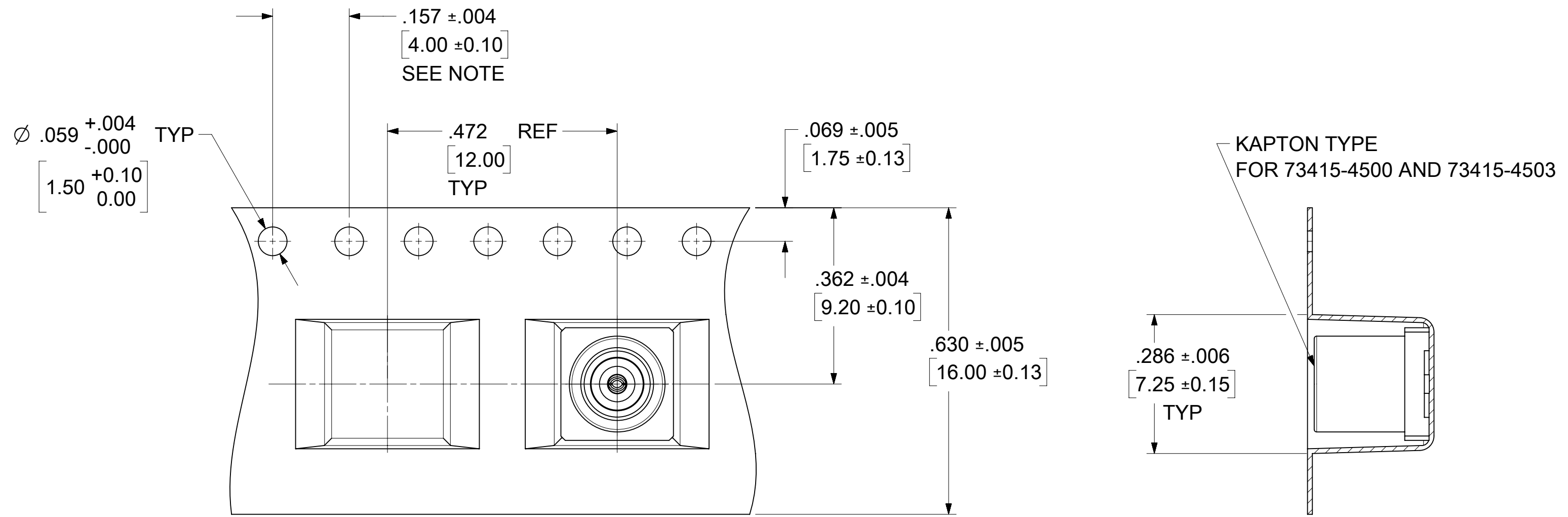
73415-4503	73415-4500 FOR TAPE SMALL QTY PER P/N 89542-0392
73415-4502	TAPE & REEL WITHOUT KAPTON SEE SHEET 2
73415-4501	POLY BAG PER P/N 89542-0410
73415-4500	TAPE & REEL WITH KAPTON SEE SHEET 2
PART NO.	PACKAGING

PS-89675-1910	ELECTRO/ MECH PERFORM.
SPECIFICATION	DESCRIPTION



RECOMMENDED MOUNTING PATTERN

FUNCTIONAL SYMBOLS	THIS DRAWING CONTAINS INFORMATION THAT IS PROPRIETARY TO MOLEX ELECTRONIC TECHNOLOGIES, LLC AND SHOULD NOT BE USED WITHOUT WRITTEN PERMISSION											
	DIMENSION UNITS	SCALE	CURRENT REV DESC: ADD 73415-4503 PKG LABEL PER EWR14242I							molex		
FA = 0	IN/MM	NTS	GENERAL TOLERANCES (UNLESS SPECIFIED)		EC NO: 661119							50 OHMS, EWR-1472 MCX-J/PCB/SMT
FC = 0			ANGULAR TOL ± 2.0°		4 PLACES ±		DRWN: CWEI02 2021/04/13			PRODUCT CUSTOMER DRAWING		
FD = 0					3 PLACES ±		CHK'D: YCHENG 2021/05/07			DOCUMENT NUMBER		
DIVISIONAL SYMBOLS					2 PLACES ±		APPR: YCHENG 2021/05/07			DOC TYPE		
					1 PLACE ±		INITIAL REVISION:			DOC PART		
					0 PLACES ±		DRWN: SSS 2001/09/04			REVISION		
					DRAFT WHERE APPLICABLE MUST REMAIN WITHIN DIMENSIONS		APPR: GMH 2001/09/04			A5		
					THIRD ANGLE PROJECTION		DRAWING		SERIES		MATERIAL NUMBER	
					C-SIZE		73415		SEE TABLE		CUSTOMER	
									GENERAL MARKET		SHEET NUMBER	
									1 OF 2			



NOTES:

TAPE AND REEL FOR 73415-4500, 73415-4502

TAPE AND BAG FOR 73415-4503

73415-4500 AND 73415-4503 WITH KAPTON TAPE

73415-4502 WITHOUT KAPTON TAPE

10 PITCHES CUMULATIVE TOLERANCE ±.008 (0.20)

750 CONNECTORS PER REEL WITH 25 EMPTY CAVATIES
IN START AND END ON 13 INCH REEL, 16MM TAPE, 12MM CAVITY PITCH
TAPE CAP ON EACH PART

DIMENSIONS ARE SHOWN FOR REFERENCE ONLY

FUNCTIONAL SYMBOLS	THIS DRAWING CONTAINS INFORMATION THAT IS PROPRIETARY TO MOLEX ELECTRONIC TECHNOLOGIES, LLC AND SHOULD NOT BE USED WITHOUT WRITTEN PERMISSION										
	DIMENSION UNITS	SCALE	CURRENT REV DESC: ADD 73415-4503 PKG LABEL PER EWR14242I								molex
$\frac{F}{A} = 0$	IN/MM	NTS									
GENERAL TOLERANCES (UNLESS SPECIFIED)	ANGULAR TOL ± 2.0°										
	4 PLACES	±	EC NO: 661119								
DIVISIONAL SYMBOLS	3 PLACES	±	DRWN: CWEI02 2021/04/13								
	2 PLACES	±	CHK'D: YCHENG 2021/05/07								
1 PLACE	±	APPR: YCHENG 2021/05/07									
0 PLACES	±	INITIAL REVISION:									
DRAFT WHERE APPLICABLE MUST REMAIN WITHIN DIMENSIONS	THIRD ANGLE PROJECTION		DRAWING		SERIES		MATERIAL NUMBER			CUSTOMER	SHEET NUMBER
			C-SIZE		73415		SEE TABLE			GENERAL MARKET	2 OF 2
DOCUMENT STATUS			P1	RELEASE DATE		2021/05/07 07:25:25					

molex

MCX JACK, PCB/SMT
50 OHMS, EWR-1472 MCX-J/PCB/SMT

PRODUCT CUSTOMER DRAWING

DOCUMENT NUMBER
SD-73415-450

DOC TYPE
PSD

DOC PART
001

REVISION
A5