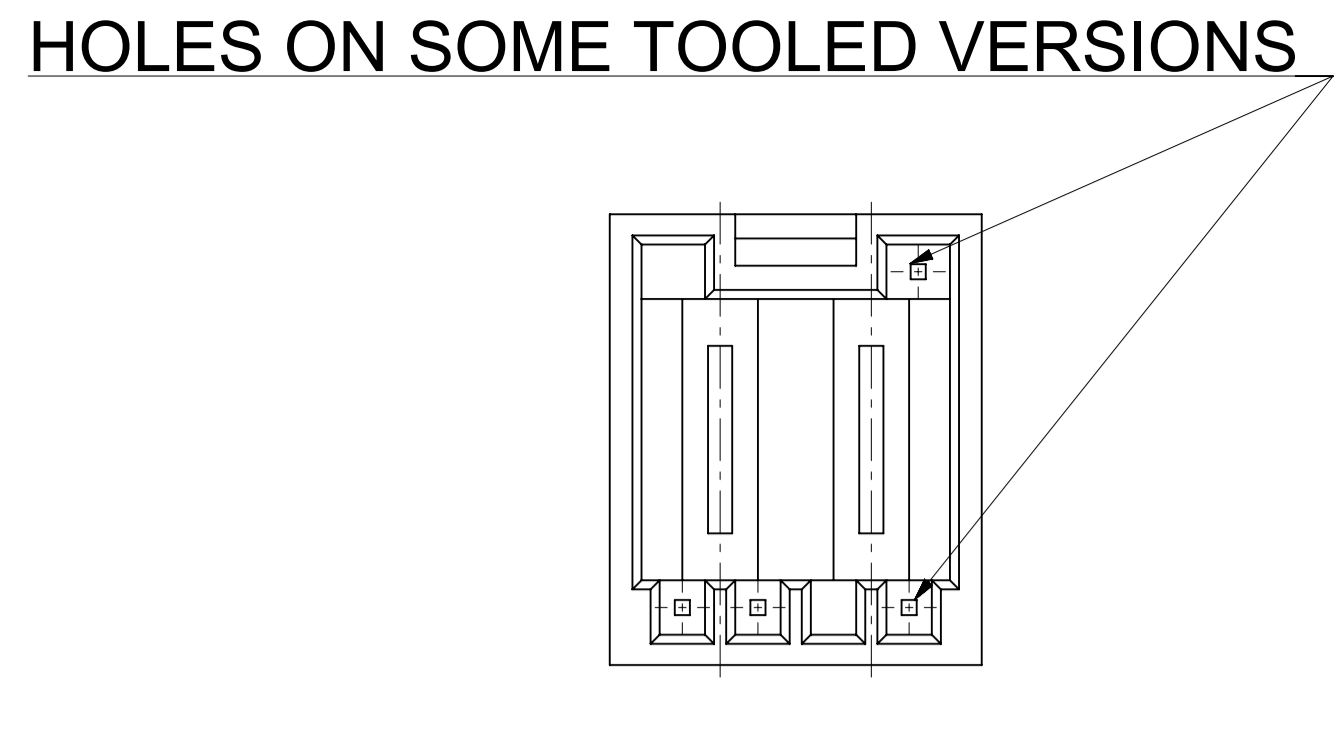
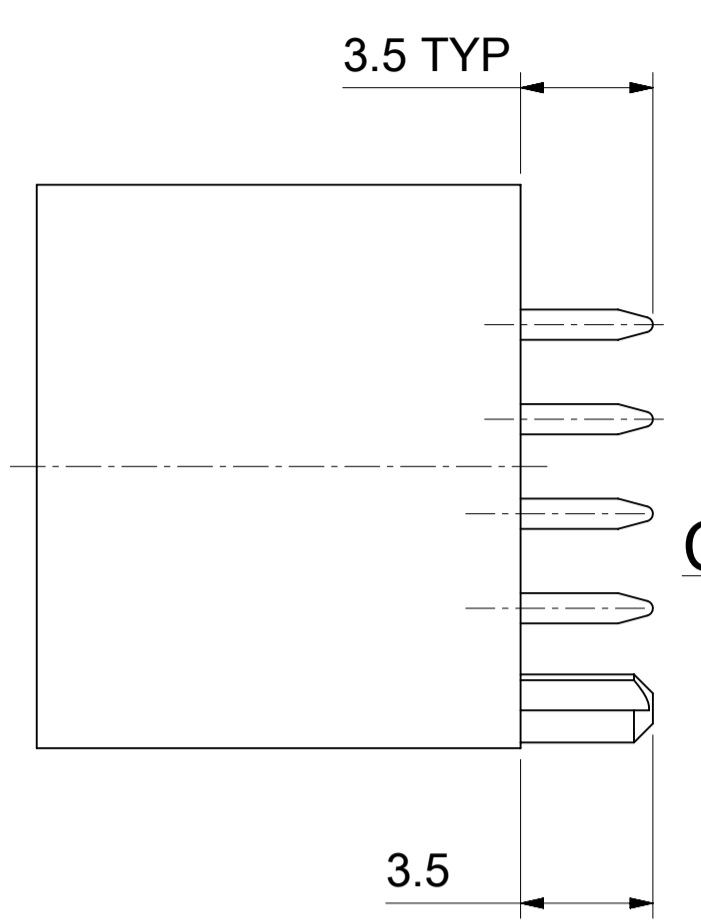
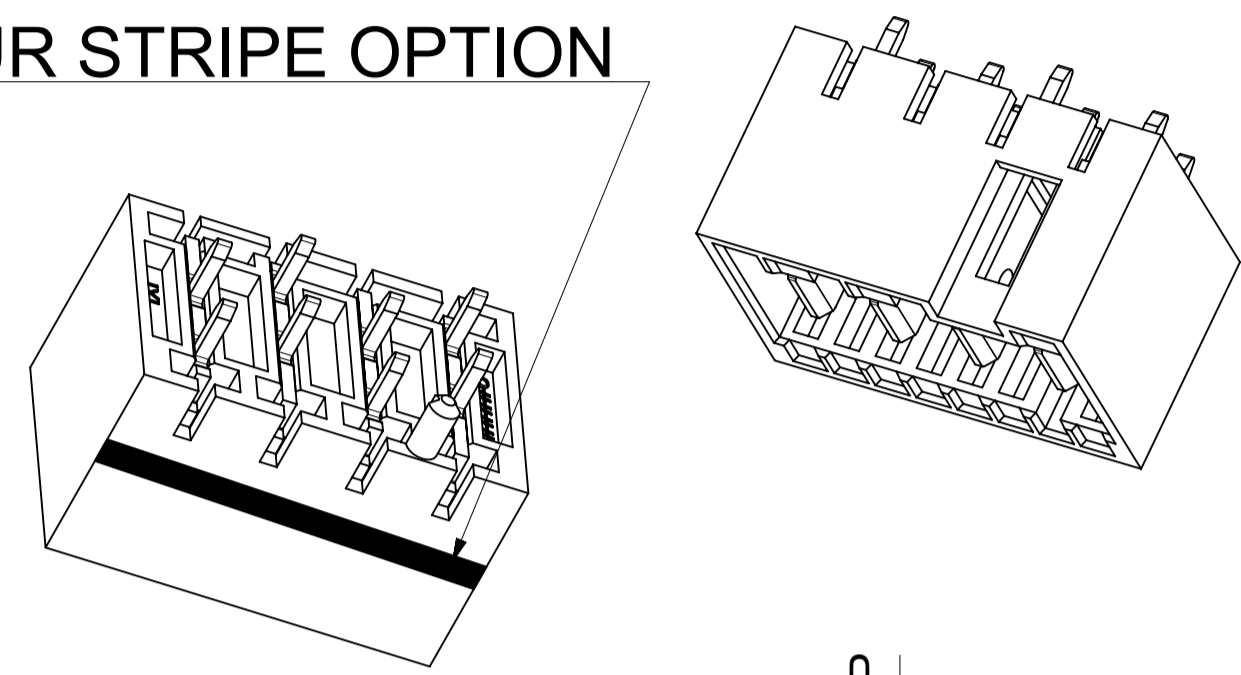


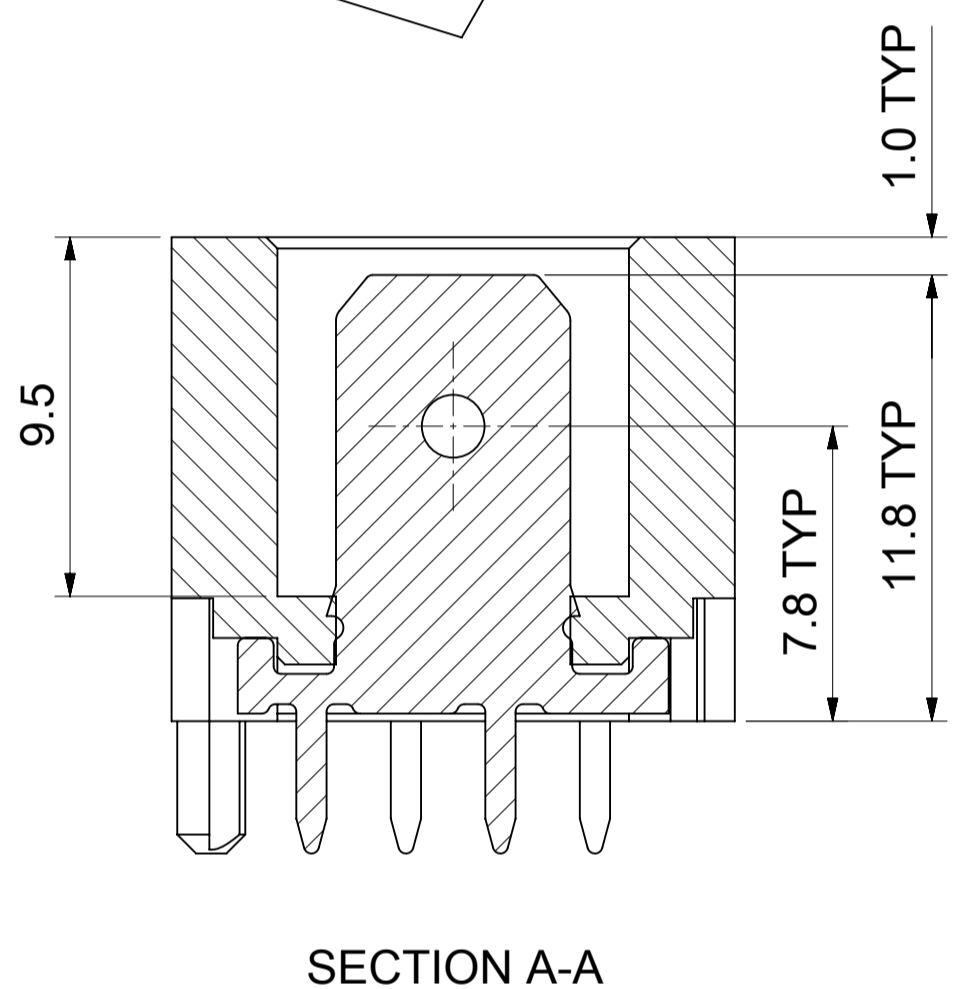
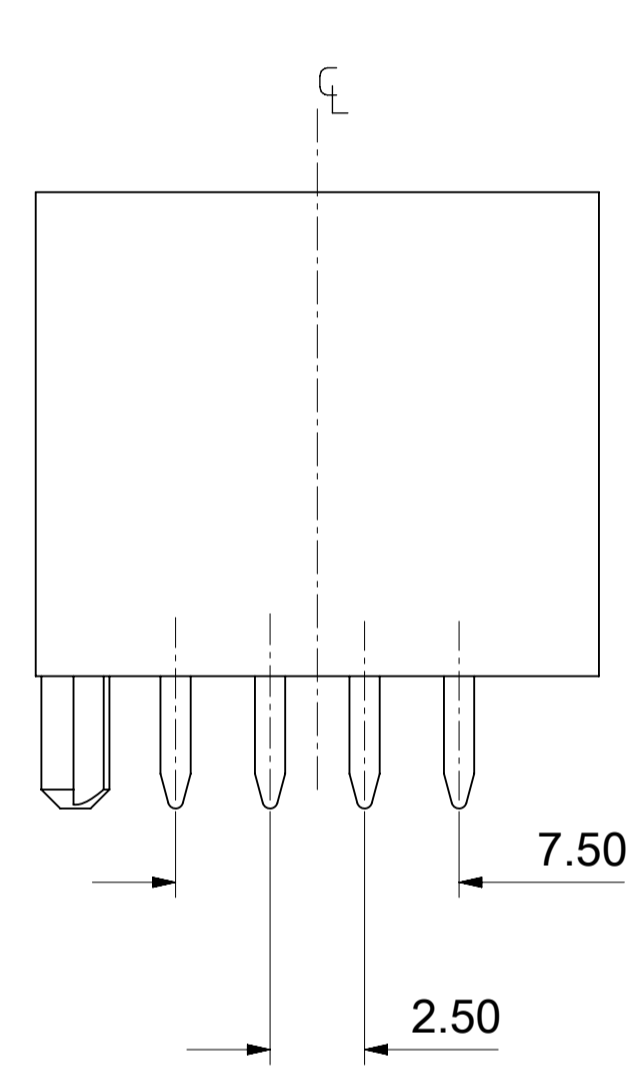
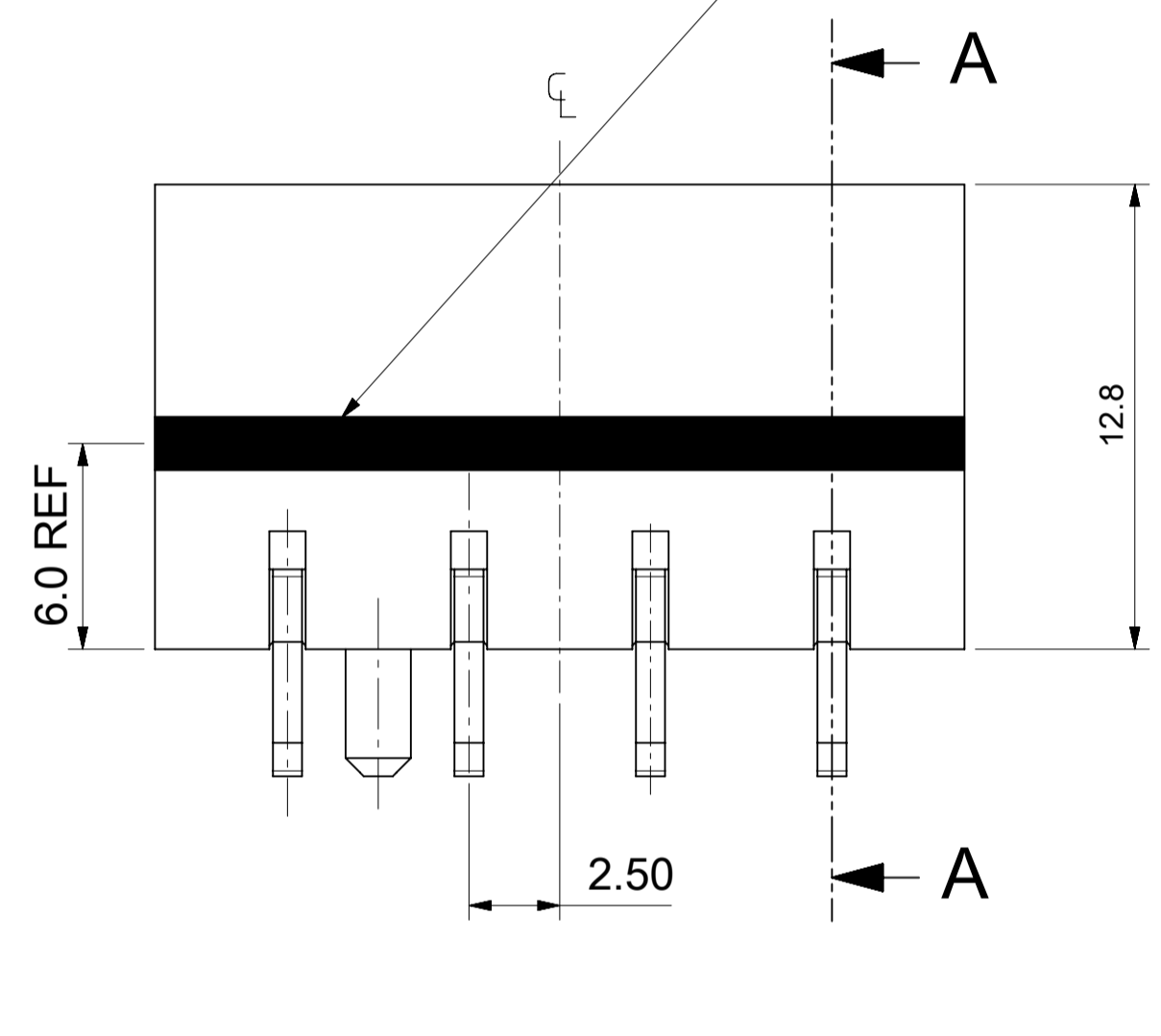
PCB PIN POLARISATION OPTION A AND B



COLOUR STRIPE OPTION

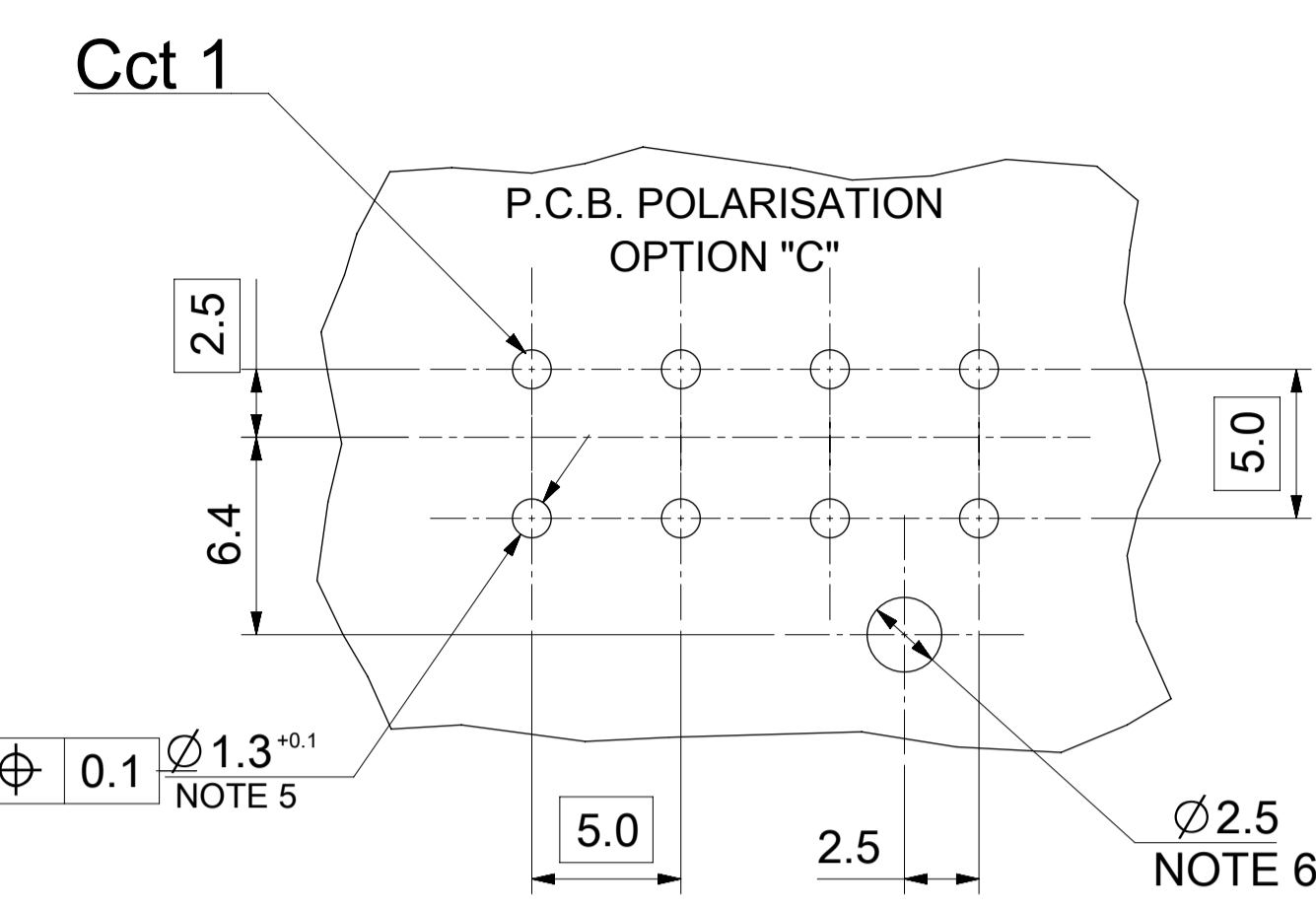
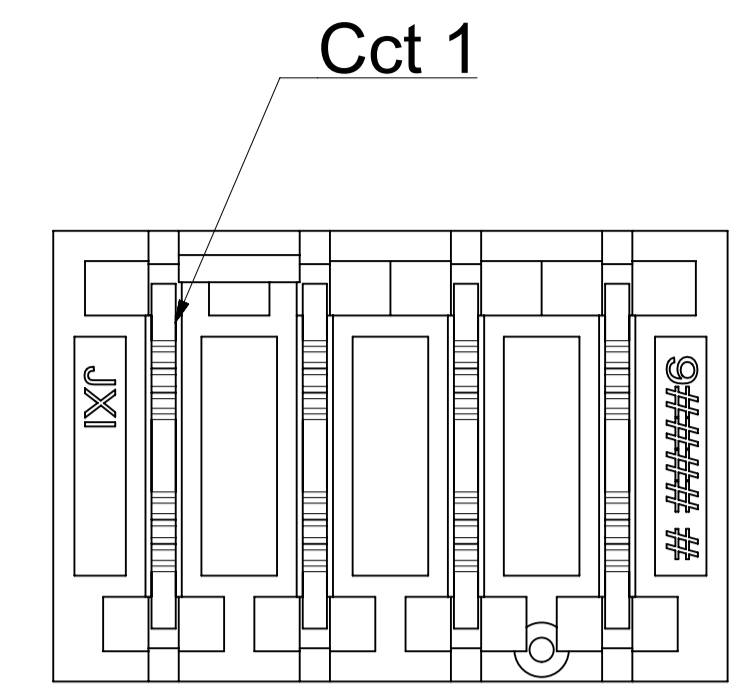


COLOUR STRIPE OPTION

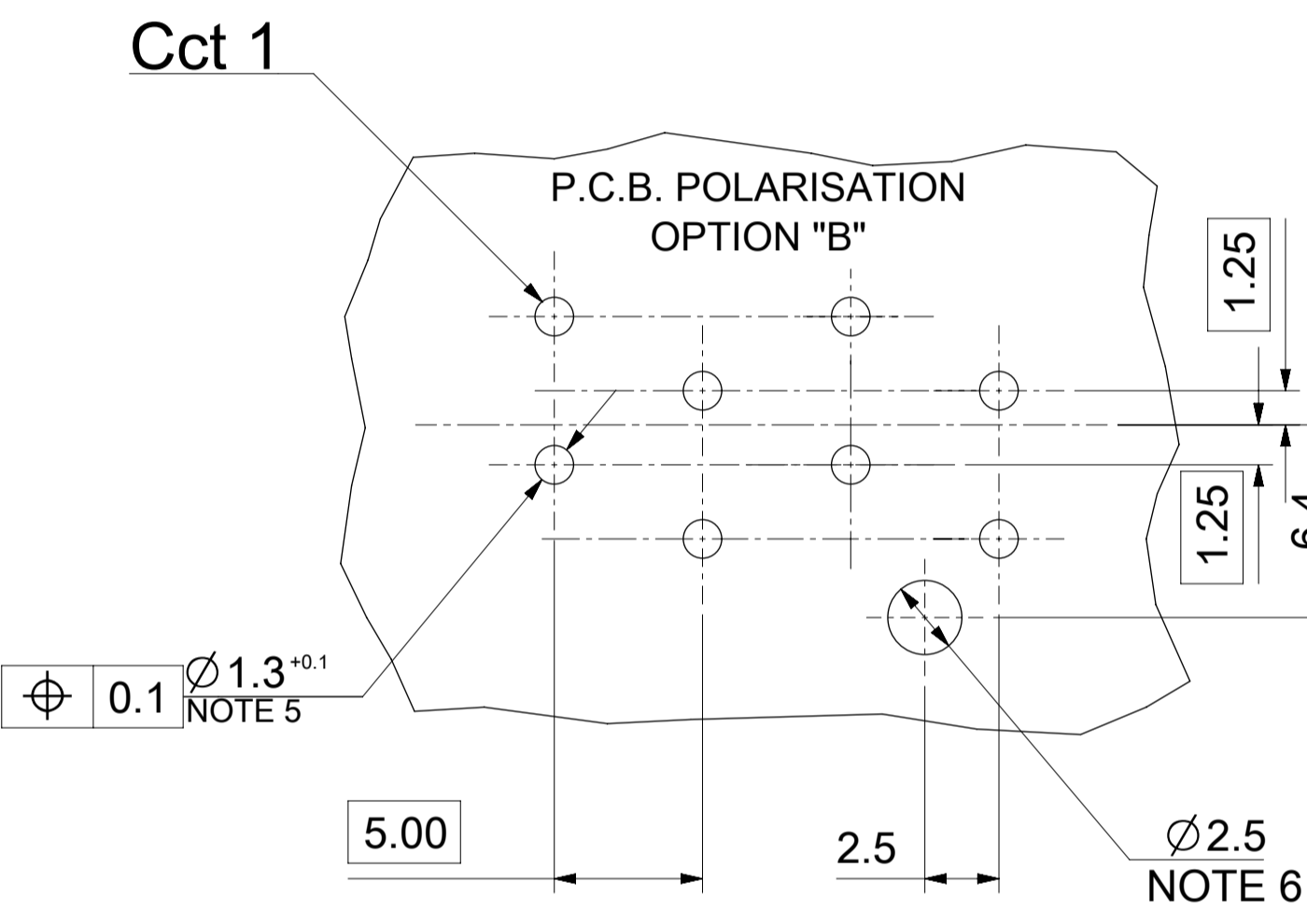
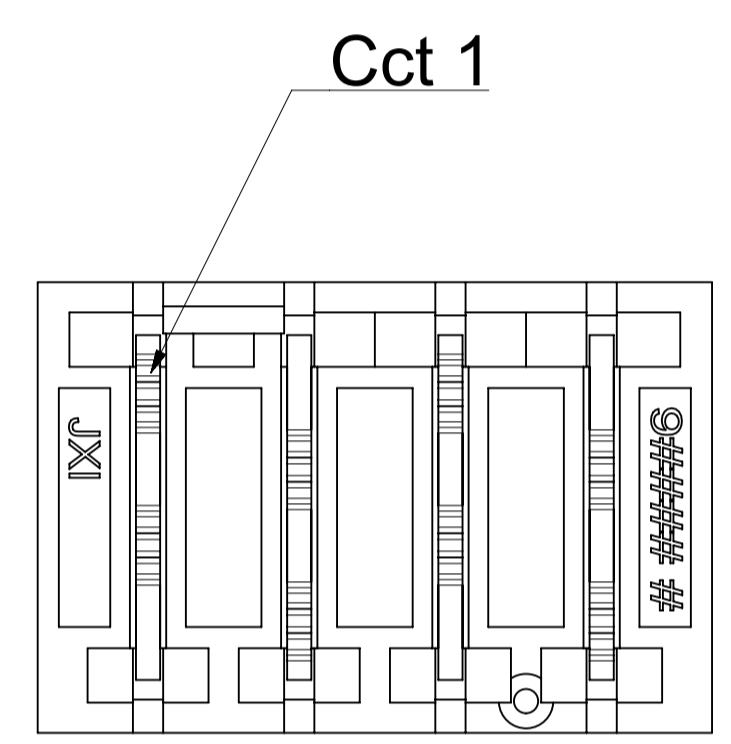


OPTION "C"

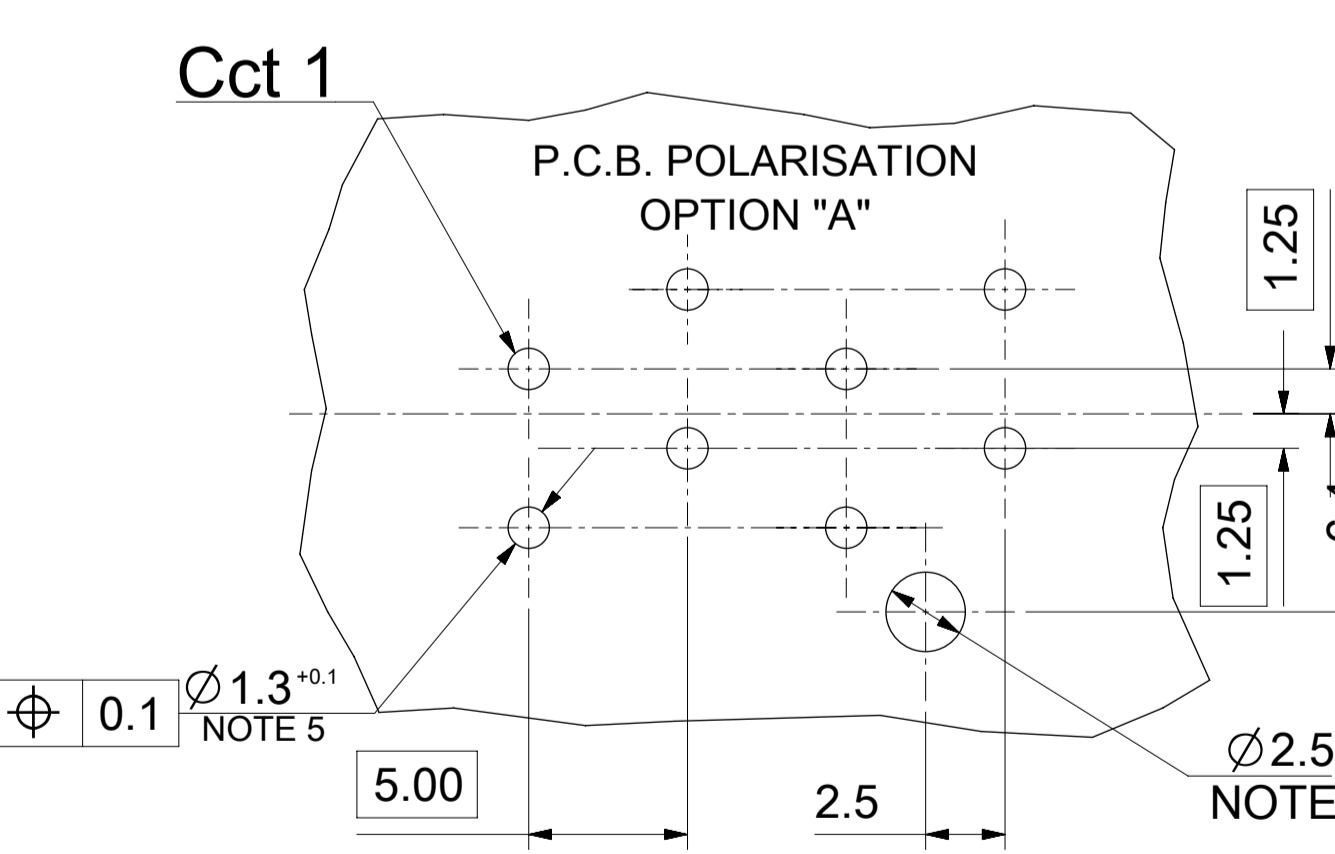
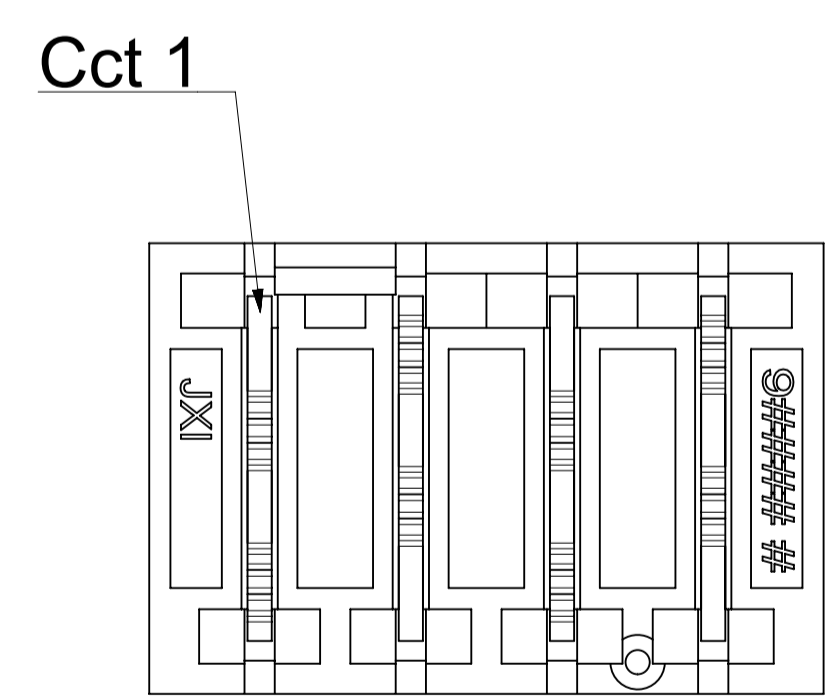
PCB LAYOUT



OPTION "B"



OPTION "A"



| CCT | DIM A | DIM B | DIM C | TOL |
|-----|-------|-------|-------|---------|
| 2 | 5.00 | 10.20 | 12.30 | +/-0.30 |
| 3 | 10.00 | 15.20 | 17.30 | |
| 4 | 15.00 | 20.20 | 22.30 | |
| 5 | 20.00 | 25.20 | 27.30 | |
| 6 | 25.00 | 30.20 | 32.30 | |
| 7 | 30.00 | 35.20 | 37.30 | |
| 8 | 35.00 | 40.20 | 42.30 | |
| 9 | 40.00 | 45.20 | 47.30 | |
| 10 | 45.00 | 50.20 | 52.30 | |
| 11 | 50.00 | 55.20 | 57.30 | |
| 12 | 55.00 | 60.20 | 62.30 | |

- NOTES:
- MATERIALS
HOUSING: PA 66, UL94 V-0 750°C GWT NO FLAME
TERMINAL: BRASS 0.80REF. THICK
PLATING: OPTIONAL (SEE CHARTS SHEETS 2-18)
TIN PLATING OPTION : 3µm TIN OVER 1.27µm NICKEL ALL AREAS
 - PRODUCT CONFORMS TO SPECIFICATION PS-99020-0037/39
 - MATES WITH MOLEX 91338, 90833, 90835, 91777, 91778, 91779, 91954 & 92000.
 - SEE PACKAGING SPECIFICATION PK-90858-001
THREE PACKAGING OPTIONS :
"A" LOOSE IN POLYBAGS IN SHIPPING CARTON
 - PLATED THRU HOLE
 - NON-PLATED THRU HOLE
 - RECCOMMENDED PCB THICKNESS: 1.5mm REF
 - PCB VIEW IS FROM SOLDER SIDE
- SELECTIVE SILVER
CONTACT AREA : 2µm SILVER OVER 1.27µm NICKEL. ALL OTHER AREAS FLASH OF SILVER 0.10µm

THIS DRAWING CONTAINS INFORMATION THAT IS PROPRIETARY TO MOLEX ELECTRONIC TECHNOLOGIES, LLC AND SHOULD NOT BE USED WITHOUT WRITTEN PERMISSION

| | | | | | | | |
|--|---------------------|-------------------------------|---------|--------------------------------|-----------------|-------------------------------|--------------|
| DIMENSION UNITS mm | SCALE 1:1 | CURRENT REV DESC: | | molex | | | |
| GENERAL TOLERANCES (UNLESS SPECIFIED) | | EC NO: 746008 | | | | RAST 5 VERT HDR PA 66 HOUSING | |
| ANGULAR TOL | ± 2.0° | DRWN: RAHULH3 2023/04/10 | | PRODUCT CUSTOMER DRAWING | | | |
| 4 PLACES | ± | CHK'D: RAHULH3 2023/04/14 | | DOCUMENT NUMBER | | | |
| 3 PLACES | ± | APPR: MRAMAKRISHNA 2023/04/14 | | 919990001 | | | |
| 2 PLACES | ± 0.1 | INITIAL REVISION: | | DOC TYPE DOC PART REVISION | | | |
| 1 PLACE | ± 0.2 | DRWN: AKABADI 2017/09/15 | | PSD 000 L4 | | | |
| 0 PLACES | ± | APPR: BRUTTLE 2017/11/10 | | SHEET NUMBER | | | |
| DRAFT WHERE APPLICABLE MUST REMAIN WITHIN DIMENSIONS | | THIRD ANGLE PROJECTION | DRAWING | SERIES | MATERIAL NUMBER | CUSTOMER | SHEET NUMBER |
| | | | A1-SIZE | 91999 | SEE SHEETS 2-18 | GENERAL MARKET | 1 OF 17 |

2 CIRCUIT

SEE CODE DESIGNATION TABLE FOR NUMBERING
FORMAT WHEN ADDING NEW PART NUMBE

| PART NO. (TIN) | TERM NO. (TIN) | MOLEX HOUSING NO. | COLOUR | UNBLOCKED POSITION KEYS | UNBLOCKED CODING KEYS | LATCH POSITION | CONFIGURATION (SEE NOTES) | TERMINAL VOID CKT | TERM NO. (SILVER) | PART NO. (SILVER) | P.C.B. POLARISATION OPTION | PACKAGING OPTION * | COLOUR STRIPE |
|-------------------|-------------------|----------------------|---------|----------------------------|--------------------------|-------------------|------------------------------|----------------------|----------------------|----------------------|----------------------------------|-----------------------|------------------|
| 91999-0003 | 91703-0002 | 93002-0002 | NATURAL | 1b 2a | 01c d20 | 1/2 | | NONE | 91703-0003 | 91999-0499 | A | A | NONE |
| 91999-0004 | 91703-0002 | 93002-0003 | NATURAL | 1a 2b | 01c | 1/2 | | NONE | 91703-0003 | 91999-0482 | A | A | NONE |
| 91999-0007 | 91703-0002 | 93002-0004 | NATURAL | 1b 2b | 01c | 1/2 | | NONE | 91703-0003 | 91999-0497 | A | A | NONE |
| 91999-0018 | 91703-0002 | 93002-0005 | NATURAL | 2a | 01c d20 | 1/2 | | NONE | 91703-0003 | 91999-0495 | A | A | NONE |
| 91999-0019 | 91703-0002 | 93002-0008 | NATURAL | 1a 2b | d20 | 1/2 | | NONE | 91703-0003 | 91999-0478 | A | A | NONE |
| 91999-0021 | 91703-0002 | 93002-0006 | NATURAL | 1b | 01c d20 | 1/2 | | NONE | 91703-0003 | 91999-0492 | A | A | NONE |
| 91999-0022 | 91703-0002 | 93002-0007 | NATURAL | 1a 2b | NONE | 1/2 | | NONE | 91703-0003 | 91999-0491 | A | A | NONE |
| 91999-0027 | 91703-0002 | 93002-0009 | NATURAL | 2b | NONE | 1/2 | | NONE | 91703-0003 | 91999-0487 | A | A | NONE |
| 91999-0029 | 91703-0002 | 93002-0010 | NATURAL | 1a 1b | d20 | 1/2 | | NONE | 91703-0003 | 91999-0486 | A | A | NONE |
| 91999-0030 | 91703-0002 | 93002-0011 | NATURAL | 2a 2b | NONE | 1/2 | | NONE | 91703-0003 | 91999-0485 | A | A | NONE |
| 91999-0032 | 91703-0002 | 93002-0012 | NATURAL | 2b | d20 | 1/2 | | NONE | 91703-0003 | 91999-0484 | A | A | NONE |
| 91999-0047 | 91703-0002 | 93002-0013 | NATURAL | 1a 2a | 01c d20 | 1/2 | | NONE | 91703-0003 | 91999-0483 | A | A | NONE |
| 91999-0055 | 91703-0002 | 93002-0014 | NATURAL | 1a 1b | NONE | 1/2 | | NONE | 91703-0003 | 91999-0480 | A | A | NONE |
| 91999-0020 | 91703-0002 | 93002-0015 | NATURAL | 1a 1b | 01c | 1/2 | | NONE | 91703-0003 | 91999-0475 | A | A | NONE |
| 91999-0054 | 91703-0002 | 93002-0016 | NATURAL | 2b | 01c d20 | 1/2 | | NONE | 91703-0003 | 91999-0476 | A | A | NONE |
| 91999-0057 | 91703-0002 | 93002-0017 | NATURAL | 1a | 01c d20 | 1/2 | | NONE | 91703-0003 | 91999-0477 | A | A | NONE |
| 91999-0058 | 91703-0002 | 93002-0018 | NATURAL | 1a 2a | 01c | 1/2 | | NONE | 91703-0003 | 91999-0472 | A | A | NONE |
| 91999-0059 | 91703-0002 | 93002-0019 | NATURAL | ALL | d20 | 1/2 | | NONE | 91703-0003 | 91999-0474 | A | A | NONE |
| 91999-0060 | 91703-0002 | 93002-0020 | NATURAL | 1b 2a 2b | d20 | 1/2 | | NONE | 91703-0003 | 91999-0473 | A | A | NONE |
| 91999-0061 | 91703-0002 | 93002-0002 | NATURAL | 1b 2a | 01c d20 | 1/2 | | NONE | 91703-0003 | 91999-0471 | B | A | NONE |

NOTES:
* SEE SHEET 1 NOTE 4

| | | | | | | | | | | | |
|---|--|-------------------------------------|--|-------------------------------------|--|--------------------------------|--|---|--|----------------------------|--|
| THIS DRAWING CONTAINS INFORMATION THAT IS PROPRIETARY TO MOLEX ELECTRONIC TECHNOLOGIES, LLC AND SHOULD NOT BE USED WITHOUT WRITTEN PERMISSION | | | | | | | | | | | |
| DIMENSION UNITS mm | | SCALE 1:1 | | CURRENT REV DESC: | | | | | | | |
| GENERAL TOLERANCES (UNLESS SPECIFIED) | | | | EC NO: 746008 | | | | | | | |
| ANGULAR TOL ± 2.0° | | | | DRWN: RAHULH3 2023/04/14 | | | | | | | |
| 4 PLACES ± | | | | CHK'D: RAHULH3 2023/04/14 | | | | | | | |
| 3 PLACES ± | | | | APPR: MRAMAKRISHNA 2023/04/14 | | | | | | | |
| 2 PLACES ± 0.1 | | | | INITIAL REVISION: | | | | | | | |
| 1 PLACE ± 0.2 | | | | DRWN: AKABADI 2017/09/15 | | | | | | | |
| 0 PLACES ± | | | | APPR: BRUTTLE 2017/11/10 | | | | | | | |
| DRAFT WHERE APPLICABLE MUST REMAIN WITHIN DIMENSIONS | | THIRD ANGLE PROJECTION | | DRAWING | | SERIES A1-SIZE 91999 | | MATERIAL NUMBER SEE SHEETS 2-18 | | CUSTOMER GENERAL MARKET | |
| DOCUMENT STATUS P1 | | RELEASE DATE 2023/04/14 14:04:31 | | | | | | RAST 5 VERT HDR PA 66 HOUSING PRODUCT CUSTOMER DRAWING | | | |
| | | | | DOCUMENT NUMBER 919990001 | | DOC TYPE PSD | | DOC PART 000 | | REVISION L4 | |
| SHEET NUMBER 2 OF 17 | | | | | | | | | | | |

2 CIRCUIT

SEE CODE DESIGNATION TABLE FOR NUMBERING
FORMAT WHEN ADDING NEW PART NUMBE

| PART NO. (TIN) | TERM NO. (TIN) | MOLEX HOUSING NO. | COLOUR | UNBLOCKED POSITION KEYS | UNBLOCKED CODING KEYS | LATCH POSITION | CONFIGURATION (SEE NOTES) | TERMINAL VOID CKT | TERM NO. (SILVER) | PART NO. (SILVER) | P.C.B. POLARISATION OPTION | PACKAGING OPTION * | COLOUR STRIPE |
|----------------|----------------|-------------------|---------|-------------------------|-----------------------|----------------|---------------------------|-------------------|-------------------|-------------------|----------------------------|--------------------|---------------|
| 91999-0062 | 91703-0002 | 93002-0021 | NATURAL | 2a | 01c | 1/2 | | NONE | 91703-0003 | 91999-0470 | A | A | NONE |
| 91999-0063 | 91703-0002 | 93002-0022 | NATURAL | 1b 2a | d20 | 1/2 | | NONE | 91703-0003 | 91999-0469 | A | A | NONE |
| 91999-0064 | 91703-0002 | 93002-0023 | NATURAL | 1a 2b | 01c d20 | 1/2 | | NONE | 91703-0003 | 91999-0468 | A | A | NONE |
| 91999-0067 | 91703-0002 | 93002-0024 | NATURAL | ALL | ALL | 1/2 | | NONE | 91703-0003 | 91999-0465 | A | A | NONE |
| 91999-0069 | 91703-0002 | 93002-0025 | NATURAL | 1a | 01c | 1/2 | | NONE | 91703-0003 | 91999-0463 | A | A | NONE |
| 91999-0071 | 91703-0017 | 93002-0004 | NATURAL | 1b 2b | 01c | 1/2 | | NONE | 91703-0018 | 91999-0461 | C | A | NONE |
| 91999-0042 | 91703-0002 | 93002-0027 | NATURAL | NONE | d20 | 1/2 | | NONE | 91703-0003 | 91999-0460 | A | A | NONE |
| 91999-0072 | 91703-0017 | 93002-0002 | NATURAL | 1b 2a | 01c d20 | 1/2 | | NONE | 91703-0018 | 91999-0459 | C | A | NONE |
| 91999-0073 | 91703-0002 | 93002-0002 | NATURAL | 1b 2a | 01c d20 | 1/2 | | NONE | 91703-0003 | 91999-0458 | B | A | NONE |
| 91999-0074 | 91703-0002 | 93002-0003 | NATURAL | 1a 2b | 01c | 1/2 | | NONE | 91703-0003 | 91999-0457 | B | A | NONE |
| 91999-0075 | 91703-0017 | 93002-0005 | NATURAL | 2a | 01c d20 | 1/2 | | NONE | 91703-0018 | 91999-0456 | C | A | NONE |
| 91999-0076 | 91703-0002 | 93002-0005 | NATURAL | 2a | 01c d20 | 1/2 | | NONE | 91703-0003 | 91999-0455 | B | A | NONE |
| 91999-0077 | 91703-0002 | 93002-0028 | NATURAL | 1a 2a 2b | 01c d20 | 1/2 | | NONE | 91703-0003 | 91999-0454 | A | A | NONE |
| 91999-0078 | 91703-0002 | 93002-0029 | NATURAL | 1b | d20 | 1/2 | | NONE | 91703-0003 | 91999-0453 | A | A | NONE |
| 91999-0079 | 91703-0002 | 93002-0030 | NATURAL | 1b | NONE | 1/2 | | NONE | 91703-0003 | 91999-0452 | A | A | NONE |
| 91999-0080 | 91703-0002 | 93002-0031 | NATURAL | NONE | 01c d20 | 1/2 | | NONE | 91703-0003 | 91999-0451 | A | A | NONE |

NOTES:
* SEE SHEET 1 NOTE 4

| | | | | | | | | | | | | | | | | | | | |
|---|--|-------|--|--|--|---------|--|--------|--|-----------------|--|-----------------|--|----------------|--|----------|--|----------|--|
| THIS DRAWING CONTAINS INFORMATION THAT IS PROPRIETARY TO MOLEX ELECTRONIC TECHNOLOGIES, LLC AND SHOULD NOT BE USED WITHOUT WRITTEN PERMISSION | | | | | | | | | | | | | | | | | | | |
| DIMENSION UNITS | | SCALE | | CURRENT REV DESC: | | | | | | | | molex | | | | | | | |
| mm | | 1:1 | | | | | | | | | | | | | | | | | |
| GENERAL TOLERANCES (UNLESS SPECIFIED) | | | | EC NO: 746008 DRWN: RAHULH3 2023/04/10 CHK'D: RAHULH3 2023/04/14 APPR: MRAMAKRISHNA 2023/04/14 INITIAL REVISION: DRWN: AKABADI 2017/09/15 APPR: BRUTTLE 2017/11/10 | | | | | | | | DOCUMENT NUMBER | | DOC TYPE | | DOC PART | | REVISION | |
| ANGULAR TOL ± 2.0° | | | | | | | | | | | | 919990001 | | PSD | | 000 | | L4 | |
| 4 PLACES ± | | | | | | | | | | | | 919990001 | | GENERAL MARKET | | 3 OF 17 | | | |
| 3 PLACES ± | | | | | | | | | | | | | | | | | | | |
| 2 PLACES ± 0.1 | | | | | | | | | | | | | | | | | | | |
| 1 PLACE ± 0.2 | | | | | | | | | | | | | | | | | | | |
| 0 PLACES ± | | | | | | | | | | | | | | | | | | | |
| DRAFT WHERE APPLICABLE MUST REMAIN WITHIN DIMENSIONS | | | | THIRD ANGLE PROJECTION | | DRAWING | | SERIES | | MATERIAL NUMBER | | CUSTOMER | | SHEET NUMBER | | | | | |
| | | | | | | A1-SIZE | | 91999 | | SEE SHEETS 2-18 | | GENERAL MARKET | | 3 OF 17 | | | | | |

2 CIRCUIT

SEE CODE DESIGNATION TABLE FOR NUMBERING
FORMAT WHEN ADDING NEW PART NUMBE

| PART NO. (TIN) | TERM NO. (TIN) | MOLEX HOUSING NO. | COLOUR | UNBLOCKED POSITION KEYS | UNBLOCKED CODING KEYS | LATCH POSITION | CONFIGURATION (SEE NOTES) | TERMINAL VOID CKT | TERM NO. (SILVER) | PART NO. (SILVER) | P.C.B. POLARISATION OPTION | PACKAGING OPTION * | COLOUR STRIPE |
|-------------------|-------------------|----------------------|---------|----------------------------|--------------------------|-------------------|------------------------------|----------------------|----------------------|----------------------|----------------------------------|-----------------------|------------------|
| 91999-0081 | 91703-0002 | 93002-0003 | NATURAL | 1a 2b | 01c | 1/2 | | NONE | 91703-0003 | 91999-0450 | A | A | RED |
| 91999-0082 | 91703-0002 | 93002-0032 | NATURAL | ALL | 01c | 1/2 | | NONE | 91703-0003 | 91999-0449 | A | A | NONE |
| 91999-0083 | 91703-0002 | 93002-0033 | NATURAL | 1a 1b 2a | NONE | 1/2 | | NONE | 91703-0003 | 91999-0448 | A | A | NONE |
| 91999-0084 | 91703-0002 | 93002-0008 | NATURAL | 1a 2b | d20 | 1/2 | | CCT 1 | 91703-0003 | 91999-0447 | A | A | NONE |
| 91999-0085 | 91703-0002 | 93002-0008 | NATURAL | 1a 2b | d20 | 1/2 | | CCT 2 | 91703-0003 | 91999-0446 | A | A | NONE |
| 91999-0086 | 91703-0017 | 93002-0008 | NATURAL | 1a 2b | d20 | 1/2 | | NONE | 91703-0018 | 91999-0445 | C | A | NONE |
| 91999-0087 | 91703-0002 | 93002-0034 | NATURAL | 1a | NONE | 1/2 | | NONE | 91703-0003 | 91999-0444 | A | A | NONE |
| 91999-0088 | 91703-0002 | 93002-0009 | NATURAL | 2b | NONE | 1/2 | | NONE | 91703-0003 | 91999-0443 | B | A | NONE |
| 91999-0089 | 91703-0002 | 93002-0002 | NATURAL | 1b 2a | 01c d20 | 1/2 | | NONE | 91703-0003 | 91999-0442 | A | A | BLACK |
| 91999-0090 | 91703-0002 | 93002-0036 | NATURAL | 1b 2b | 01c d20 | 1/2 | | NONE | 91703-0003 | 91999-0496 | A | A | NONE |
| 91999-0091 | 91703-0002 | 93002-0035 | NATURAL | 1b 2a 2b | 01c d20 | 1/2 | | NONE | 91703-0003 | 91999-0441 | A | A | NONE |
| 91999-0092 | 91703-0002 | 93002-0024 | NATURAL | 1a 1b 2a 2b | 01c d20 | 1/2 | | NONE | 91703-0003 | 91999-0440 | A | A | NONE |
| 91999-0093 | 91703-0002 | 93002-0026 | NATURAL | 2a 2b | 01c | 1/2 | | NONE | 91703-0003 | 91999-0439 | A | A | NONE |
| 91999-0094 | 91703-0002 | 93002-0016 | NATURAL | 2b | 01c d20 | 1/2 | | NONE | 91703-0003 | 91999-0438 | B | A | NONE |

L4

NOTES:

* SEE SHEET 1 NOTE 4

| | | | | | | | | | | | |
|---|--|------------------------|--|--------------------|--|----------------|--|-------------------------------|--|--------------------------------|--|
| THIS DRAWING CONTAINS INFORMATION THAT IS PROPRIETARY TO MOLEX ELECTRONIC TECHNOLOGIES, LLC AND SHOULD NOT BE USED WITHOUT WRITTEN PERMISSION | | | | | | | | | | | |
| DIMENSION UNITS mm | | SCALE 1:1 | | CURRENT REV DESC: | | | | | | | |
| GENERAL TOLERANCES (UNLESS SPECIFIED) | | | | EC NO: 746008 | | | | | | | |
| ANGULAR TOL ± 2.0° | | 4 PLACES ± | | DRWN: RAHULH3 | | 2023/04/10 | | RAST 5 VERT HDR PA 66 HOUSING | | | |
| 3 PLACES ± | | 2 PLACES ± 0.1 | | CHK'D: RAHULH3 | | 2023/04/14 | | PRODUCT CUSTOMER DRAWING | | | |
| 1 PLACE ± 0.2 | | 0 PLACES ± | | APPR: MRAMAKRISHNA | | 2023/04/14 | | INITIAL REVISION: | | | |
| DRAFT WHERE APPLICABLE MUST REMAIN WITHIN DIMENSIONS | | THIRD ANGLE PROJECTION | | DRAWING | | SERIES | | DOCUMENT NUMBER | | DOC TYPE DOC PART REVISION | |
| | | | | A1-SIZE | | 91999 | | 919990001 | | PSD 000 L4 | |
| | | | | SEE SHEETS 2-18 | | GENERAL MARKET | | 4 OF 17 | | | |

3 CIRCUIT

SEE CODE DESIGNATION TABLE FOR NUMBERING
FORMAT WHEN ADDING NEW PART NUMBE

| PART NO. (TIN) | TERM NO. (TIN) | MOLEX HOUSING NO. | COLOUR | UNBLOCKED POSITION KEYS | UNBLOCKED CODING KEYS | LATCH POSITION | CONFIGURATION (SEE NOTES) | TERMINAL VOID CKT | TERM NO. (SILVER) | PART NO. (SILVER) | P.C.B. POLARISATION OPTION | PACKAGING OPTION * | COLOUR STRIPE |
|-------------------|-------------------|----------------------|---------|----------------------------|--------------------------|-------------------|------------------------------|----------------------|----------------------|----------------------|----------------------------------|-----------------------|------------------|
| 91999-0502 | 91703-0002 | 93002-1000 | NATURAL | 1b | 01c d20 | 1/2 | | NONE | 91703-0003 | 91999-1249 | A | A | NONE |
| 91999-0508 | 91703-0002 | 93002-1001 | NATURAL | 1a | 03c | 1/2 | | NONE | 91703-0003 | 91999-1248 | A | A | NONE |
| 91999-0511 | 91703-0002 | 93002-1002 | NATURAL | 1a 1b | d30 | 1/2 | | NONE | 91703-0003 | 91999-1247 | A | A | NONE |
| 91999-0512 | 91703-0002 | 93002-1003 | NATURAL | 1a 3b | 01c | 1/2 | | NONE | 91703-0003 | 91999-1246 | A | A | NONE |
| 91999-0513 | 91703-0002 | 93002-1004 | NATURAL | 1b | d20 03c | 1/2 | | NONE | 91703-0003 | 91999-1245 | A | A | NONE |
| 91999-0524 | 91703-0002 | 93002-1005 | NATURAL | 1b 2a 2b | d30 | 1/2 | | NONE | 91703-0003 | 91999-1244 | A | A | NONE |
| 91999-0525 | 91703-0002 | 93002-1006 | NATURAL | 2b | d20 | 1/2 | | NONE | 91703-0003 | 91999-1243 | A | A | NONE |
| 91999-0528 | 91703-0002 | 93002-1007 | NATURAL | ALL | d10 d30 | 2/3 | | NONE | 91703-0003 | 91999-1242 | A | A | NONE |
| 91999-0527 | 91703-0002 | 93002-1008 | NATURAL | ALL | d20 | 1/2 | | NONE | 91703-0003 | 91999-1240 | A | A | NONE |
| 91999-0526 | 91703-0002 | 93002-1009 | NATURAL | 2b 3b | d10 02c | 2/3 | | NONE | 91703-0003 | 91999-1241 | A | A | NONE |
| 91999-0529 | 91703-0002 | 93002-1000 | NATURAL | 1b | 01c d20 | 1/2 | | 2 | 91703-0003 | 91999-1239 | A | A | NONE |
| 91999-0530 | 91703-0002 | 93002-1010 | NATURAL | 2b 3b | 01c d10 02c d30 | 2/3 | | NONE | 91703-0003 | 91999-1238 | A | A | NONE |
| 91999-0531 | 91703-0002 | 93002-1011 | NATURAL | 3b | 01c d30 | 2/3 | | NONE | 91703-0003 | 91999-1237 | A | A | NONE |
| 91999-0532 | 91703-0002 | 93002-1012 | NATURAL | 3b | d10 02c | 2/3 | | NONE | 91703-0003 | 91999-1236 | A | A | NONE |
| 91999-0534 | 91703-0002 | 93002-1014 | NATURAL | ALL | ALL | 1/2 | | NONE | 91703-0003 | 91999-1234 | A | A | NONE |
| 91999-0506 | 91703-0002 | 93002-1015 | NATURAL | 1a 3a | d20 | 1/2 | | NONE | 91703-0003 | 91999-1233 | A | A | NONE |
| 91999-0507 | 91703-0002 | 93002-1016 | NATURAL | 2a | d10 d30 | 2/3 | | NONE | 91703-0003 | 91999-1232 | A | A | NONE |
| 91999-0535 | 91703-0002 | 93002-1017 | NATURAL | 3b | d10 d30 | 2/3 | | NONE | 91703-0003 | 91999-1231 | A | A | NONE |
| 91999-0536 | 91703-0002 | 93002-1018 | NATURAL | 1b | 01c | 1/2 | | NONE | 91703-0003 | 91999-1230 | A | A | NONE |

NOTES:
* SEE SHEET 1 NOTE 4

| | | | | | | | | | | | | | | | |
|---|--|---------------------|--|------------------------|--|----------------|--|-----------------------------------|--|-----------------|--|--|--|--------------|--|
| THIS DRAWING CONTAINS INFORMATION THAT IS PROPRIETARY TO MOLEX ELECTRONIC TECHNOLOGIES, LLC AND SHOULD NOT BE USED WITHOUT WRITTEN PERMISSION | | | | | | | | | | | | | | | |
| DIMENSION UNITS mm | | SCALE 1:1 | | CURRENT REV DESC: | | | | RAST 5 VERT HDR PA 66 HOUSING | | | | | | | |
| GENERAL TOLERANCES (UNLESS SPECIFIED) | | | | EC NO: 746008 | | | | | | | | | | | |
| ANGULAR TOL ± 2.0° | | 4 PLACES ± | | 3 PLACES ± | | 2 PLACES ± 0.1 | | 1 PLACE ± 0.2 | | 0 PLACES ± | | DRWN: RAHULH3 2023/04/14 CHK'D: RAHULH3 2023/04/14 APPR: MRAMAKRISHNA 2023/04/14 | | | |
| DRAFT WHERE APPLICABLE MUST REMAIN WITHIN DIMENSIONS | | | | THIRD ANGLE PROJECTION | | DRAWING | | SERIES | | MATERIAL NUMBER | | CUSTOMER | | SHEET NUMBER | |
| | | | | A1-SIZE | | 91999 | | SEE SHEETS 2-18 | | GENERAL MARKET | | 5 OF 17 | | | |
| INITIAL REVISION: | | | | DOCUMENT NUMBER | | | | DOC TYPE DOC PART REVISION | | | | | | | |
| DRWN: AKABADI 2017/09/15 | | | | 919990001 | | | | PSD 000 L4 | | | | | | | |
| APPR: BRUTTLE 2017/11/10 | | | | | | | | | | | | | | | |

3 CIRCUIT

SEE CODE DESIGNATION TABLE FOR NUMBERING
FORMAT WHEN ADDING NEW PART NUMBE

| PART NO. (TIN) | TERM NO. (TIN) | MOLEX HOUSING NO. | COLOUR | UNBLOCKED POSITION KEYS | UNBLOCKED CODING KEYS | LATCH POSITION | CONFIGURATION (SEE NOTES) | TERMINAL VOID CKT | TERM NO. (SILVER) | PART NO. (SILVER) | P.C.B. POLARISATION OPTION | PACKAGING OPTION * | COLOUR STRIPE |
|-------------------|-------------------|----------------------|---------|----------------------------|--------------------------|-------------------|------------------------------|----------------------|----------------------|----------------------|----------------------------------|-----------------------|------------------|
| 91999-0537 | 91703-0017 | 93002-1000 | NATURAL | 1b | 01c d20 | 1/2 | | NONE | 91703-0018 | 91999-1229 | C | A | NONE |
| 91999-0538 | 91703-0017 | 93002-1009 | NATURAL | 2b 3b | d10 02c | 2/3 | | NONE | 91703-0018 | 91999-1228 | C | A | NONE |
| 91999-0539 | 91703-0002 | 93002-1000 | NATURAL | 1b | 01c d20 | 1/2 | | NONE | 91703-0003 | 91999-1227 | B | A | NONE |
| 91999-0540 | 91703-0002 | 93002-1009 | NATURAL | 2b 3b | d10 02c | 2/3 | | NONE | 91703-0003 | 91999-1226 | B | A | NONE |
| 91999-0541 | 91703-0002 | 93002-1019 | NATURAL | 2a | 01c d30 | 1/2 | | NONE | 91703-0003 | 91999-1225 | A | A | NONE |
| 91999-0542 | 91703-0002 | 93002-1020 | NATURAL | 3b | 01c d30 | 1/2 | | NONE | 91703-0003 | 91999-1224 | A | A | NONE |
| 91999-0543 | 91703-0002 | 93002-1022 | NATURAL | 1b 2a | NONE | 1/2 | | NONE | 91703-0003 | 91999-1223 | A | A | NONE |
| 91999-0544 | 91703-0002 | 93002-1030 | NATURAL | 1b 2a 2b 3b | NONE | 2/3 | | NONE | 91703-0003 | 91999-1222 | A | A | NONE |
| 91999-0545 | 91703-0002 | 93002-1025 | NATURAL | 1a 1b | d20 | 1/2 | | NONE | 91703-0003 | 91999-1221 | A | A | NONE |
| 91999-0546 | 91703-0002 | 93002-1026 | NATURAL | 2a 3a | 01c d20 03c | 1/2 | | NONE | 91703-0003 | 91999-1220 | A | A | NONE |
| 91999-0548 | 91703-0002 | 93002-1027 | NATURAL | 1a 3a | d30 | 2/3 | | NONE | 91703-0003 | 91999-1218 | A | A | NONE |
| 91999-0549 | 91703-0002 | 93002-1028 | NATURAL | ALL | 01c d10 02c d30 | 2/3 | | NONE | 91703-0003 | 91999-1217 | A | A | NONE |
| 91999-0550 | 91703-0017 | 93002-1029 | NATURAL | 2a | d10 02c d30 | 2/3 | | NONE | 91703-0018 | 91999-1216 | C | A | NONE |
| 91999-0551 | 91703-0002 | 93002-1030 | NATURAL | 1b 2a 2b 3b | NONE | 2/3 | | NONE | 91703-0003 | 91999-1215 | B | A | NONE |
| 91999-0552 | 91703-0020 | 93002-1031 | NATURAL | 1b 2b | 01c d20 | 1/2 | | NONE | 91703-0021 | 91999-1214 | A | A | NONE |
| 91999-0553 | 91703-0017 | 93002-1014 | NATURAL | ALL | ALL | 1/2 | | NONE | 91703-0018 | 91999-1213 | C | A | NONE |
| 91999-0554 | 91703-0002 | 93002-1032 | NATURAL | 1a 3a | 03c | 1/2 | | NONE | 91703-0003 | 91999-1212 | A | A | NONE |
| 91999-0555 | 91703-0002 | 93002-1033 | NATURAL | 1b 2a 3b | 01c d20 | 1/2 | | NONE | 91703-0003 | 91999-1211 | A | A | NONE |

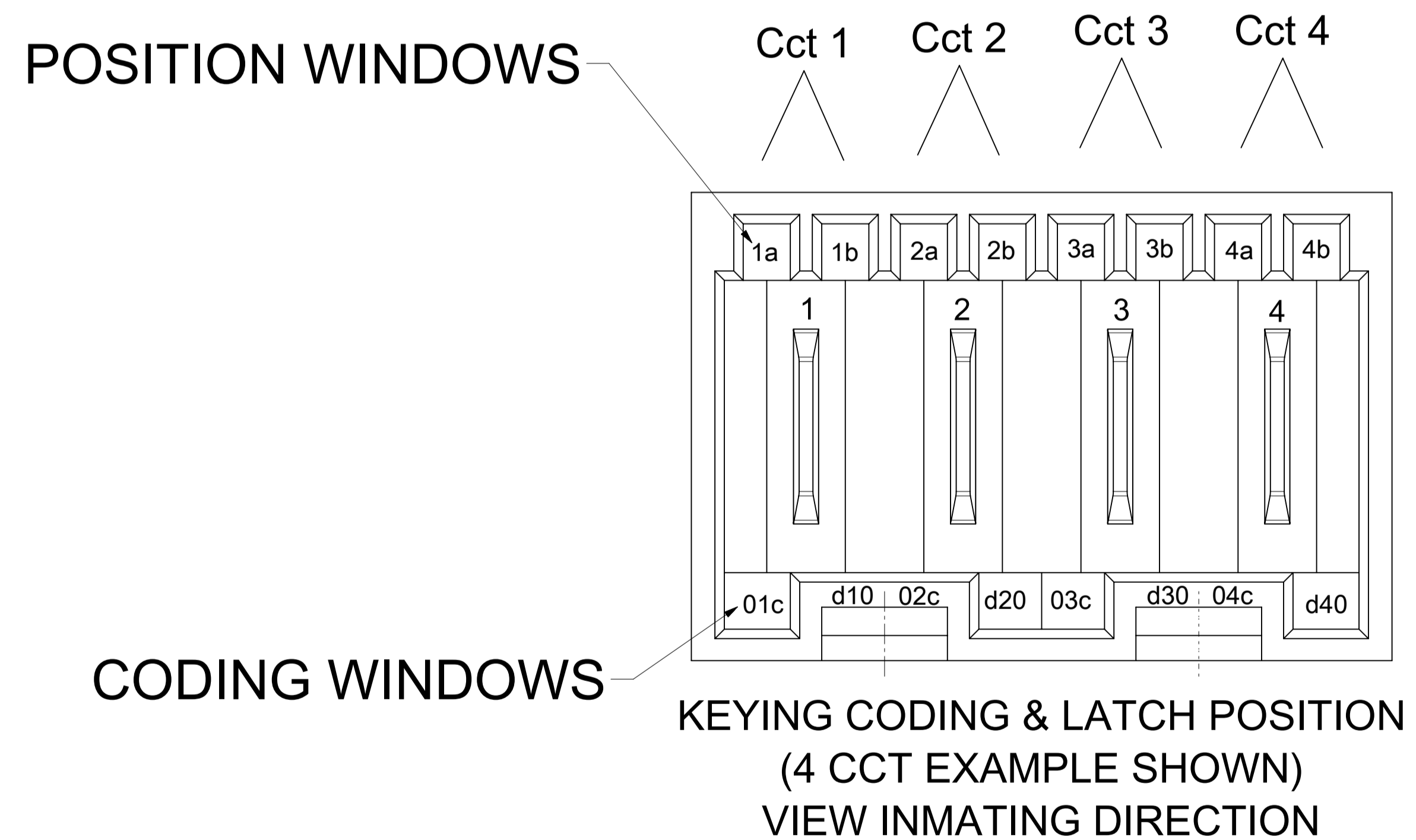
NOTES:
* SEE SHEET 1 NOTE 4

| | | | | | | | | | | | |
|---|--|------------------------|--|-------------------------|--|----------------------|--|--|--|--|--|
| THIS DRAWING CONTAINS INFORMATION THAT IS PROPRIETARY TO MOLEX ELECTRONIC TECHNOLOGIES, LLC AND SHOULD NOT BE USED WITHOUT WRITTEN PERMISSION | | | | | | | | | | | |
| DIMENSION UNITS mm | | SCALE 1:1 | | CURRENT REV DESC: | | | | RAST 5 VERT HDR PA 66 HOUSING | | | |
| GENERAL TOLERANCES (UNLESS SPECIFIED) | | | | EC NO: 746008 | | | | | | | |
| ANGULAR TOL ± 2.0° | | 4 PLACES ± | | DRWN: RAHULH3 | | 2023/04/10 | | PRODUCT CUSTOMER DRAWING DOCUMENT NUMBER: 919990001 DOC TYPE: PSD DOC PART: 000 REVISION: L4 | | | |
| 3 PLACES ± | | 2 PLACES ± 0.1 | | CHK'D: RAHULH3 | | 2023/04/14 | | | | | |
| 2 PLACES ± 0.1 | | 1 PLACE ± 0.2 | | APPR: MRAMAKRISHNA | | 2023/04/14 | | | | | |
| 1 PLACE ± 0.2 | | 0 PLACES ± | | INITIAL REVISION: | | | | MATERIAL NUMBER: 91999 CUSTOMER: GENERAL MARKET SHEET NUMBER: 6 OF 17 | | | |
| DRAFT WHERE APPLICABLE MUST REMAIN WITHIN DIMENSIONS | | THIRD ANGLE PROJECTION | | DRAWING: A1-SIZE | | SERIES: 91999 | | | | | |

3 CIRCUIT

SEE CODE DESIGNATION TABLE FOR NUMBERING
FORMAT WHEN ADDING NEW PART NUMBE

| PART NO. (TIN) | TERM NO. (TIN) | MOLEX HOUSING NO. | COLOUR | UNBLOCKED POSITION KEYS | UNBLOCKED CODING KEYS | LATCH POSITION | CONFIGURATION (SEE NOTES) | TERMINAL VOID CKT | TERM NO. (SILVER) | PART NO. (SILVER) | P.C.B. POLARISATION OPTION | PACKAGING OPTION * | COLOUR STRIPE |
|-------------------|-------------------|----------------------|---------|----------------------------|--------------------------|-------------------|------------------------------|----------------------|----------------------|----------------------|----------------------------------|-----------------------|------------------|
| 91999-0557 | 91703-0002 | 93002-1034 | NATURAL | 3a | 03c d30 | 1/2 | | NONE | 91703-0003 | 91999-1209 | A | A | NONE |
| 91999-0558 | 91703-0002 | 93002-1025 | NATURAL | 1a 1b | d20 | 1/2 | | 2 | 91703-0003 | 91999-1208 | A | A | NONE |
| 91999-0559 | 91703-0002 | 93002-1037 | NATURAL | 1a 3a | 01c | 1/2 | | 2 | 91703-0003 | 91999-1207 | A | A | NONE |
| 91999-0560 | 91703-0002 | 93002-1037 | NATURAL | 1a 3a | 01c | 1/2 | | 2 | 91703-0003 | 91999-1206 | B | A | NONE |
| 91999-0561 | 91703-0002 | 93002-1038 | NATURAL | 2a 2b | NONE | 2/3 | | 2 | 91703-0003 | 91999-1205 | A | A | NONE |
| 91999-0562 | 91703-0002 | 93002-1021 | NATURAL | 1b 3a | 01c | 1/2 | | NONE | 91703-0003 | 91999-1204 | A | A | NONE |



NOTES:
* SEE SHEET 1 NOTE 4

| | | | | | | | | | | | |
|---|------------------------|---|--------|-----------------|----------------|--------------|--|--|--|--|--|
| THIS DRAWING CONTAINS INFORMATION THAT IS PROPRIETARY TO MOLEX ELECTRONIC TECHNOLOGIES, LLC AND SHOULD NOT BE USED WITHOUT WRITTEN PERMISSION | | | | | | | | | | | |
| DIMENSION UNITS | SCALE | CURRENT REV DESC: | | | | | | | | | |
| mm | 1:1 | <p>molex</p> <p>RAST 5 VERT HDR PA 66 HOUSING</p> <p>PRODUCT CUSTOMER DRAWING</p> <p>DOCUMENT NUMBER: 919990001 DOC TYPE: PSD DOC PART: 000 REVISION: L4</p> <p>EC NO: 746008 DRWN: RAHULH3 2023/04/10 CHK'D: RAHULH3 2023/04/14 APPR: MRAMAKRISHNA 2023/04/14</p> <p>INITIAL REVISION: DRWN: AKABADI 2017/09/15 APPR: BRUTTLE 2017/11/10</p> | | | | | | | | | |
| GENERAL TOLERANCES (UNLESS SPECIFIED) | | | | | | | | | | | |
| ANGULAR TOL | ± 2.0° | | | | | | | | | | |
| 4 PLACES | ± | | | | | | | | | | |
| 3 PLACES | ± | | | | | | | | | | |
| 2 PLACES | ± 0.1 | | | | | | | | | | |
| 1 PLACE | ± 0.2 | | | | | | | | | | |
| 0 PLACES | ± | | | | | | | | | | |
| DRAFT WHERE APPLICABLE MUST REMAIN WITHIN DIMENSIONS | THIRD ANGLE PROJECTION | DRAWING | SERIES | MATERIAL NUMBER | CUSTOMER | SHEET NUMBER | | | | | |
| | | A1-SIZE | 91999 | SEE SHEETS 2-18 | GENERAL MARKET | 7 OF 17 | | | | | |

4 CIRCUIT

SEE CODE DESIGNATION TABLE FOR NUMBERING
FORMAT WHEN ADDING NEW PART NUMBE

| PART NO. (TIN) | TERM NO. (TIN) | MOLEX HOUSING NO. | COLOUR | UNBLOCKED POSITION KEYS | UNBLOCKED CODING KEYS | LATCH POSITION | CONFIGURATION (SEE NOTES) | TERMINAL VOID CKT | TERM NO. (SILVER) | PART NO. (SILVER) | P.C.B. POLARISATION OPTION | PACKAGING OPTION * | COLOUR STRIPE |
|-------------------|-------------------|----------------------|---------|----------------------------|--------------------------|-------------------|------------------------------|----------------------|----------------------|----------------------|----------------------------------|-----------------------|------------------|
| 91999-1254 | 91703-0002 | 93002-2000 | NATURAL | 1b | 03c d40 | 1/2 3/4 | | NONE | 91703-0003 | 91999-1999 | A | A | NONE |
| 91999-1264 | 91703-0002 | 93002-2001 | NATURAL | 1a 4b | d40 | 1/2 3/4 | | NONE | 91703-0003 | 91999-1998 | A | A | NONE |
| 91999-1265 | 91703-0002 | 93002-2002 | NATURAL | 2a 4b | d20 | 1/2 3/4 | | NONE | 91703-0003 | 91999-1996 | A | A | NONE |
| 91999-1267 | 91703-0002 | 93002-2003 | NATURAL | 1b 2a 3a 4b | 01c d40 | 1/2 3/4 | | NONE | 91703-0003 | 91999-1994 | A | A | NONE |
| 91999-1270 | 91703-0002 | 93002-2004 | NATURAL | 1a 2b 4b | 01c 03c d40 | 1/2 3/4 | | NONE | 91703-0003 | 91999-1993 | A | A | NONE |
| 91999-1274 | 91703-0002 | 93002-2005 | NATURAL | 1a 3a 3b | 01c d20 d40 | 1/2 3/4 | | NONE | 91703-0003 | 91999-1992 | A | A | NONE |
| 91999-1275 | 91703-0002 | 93002-2006 | NATURAL | 1b 2a 4b | 01c d20 03c | 1/2 3/4 | | NONE | 91703-0003 | 91999-1991 | A | A | NONE |
| 91999-1278 | 91703-0002 | 93002-2007 | NATURAL | 1a 3a | d40 | 1/2 3/4 | | NONE | 91703-0003 | 91999-1987 | A | A | NONE |
| 91999-1280 | 91703-0002 | 93002-2008 | NATURAL | 1a 2b 3b 4a | 01c 03c d40 | 1/2 3/4 | | NONE | 91703-0003 | 91999-1988 | A | A | NONE |
| 91999-1281 | 91703-0002 | 93002-2009 | NATURAL | 2a 4b | d20 03c | 1/2 3/4 | | NONE | 91703-0003 | 91999-1986 | A | A | NONE |
| 91999-1282 | 91703-0002 | 93002-2010 | NATURAL | 3b | d30 | 2/3 | | NONE | 91703-0003 | 91999-1985 | A | A | NONE |
| 91999-1283 | 91703-0002 | 93002-2011 | NATURAL | 1b 2a 4b | 01c d20 03c d40 | 1/2 3/4 | | NONE | 91703-0003 | 91999-1984 | A | A | NONE |
| 91999-1284 | 91703-0002 | 93002-2012 | NATURAL | 2a 3a 3b 4b | 01c d20 03c d40 | 1/2 3/4 | | NONE | 91703-0003 | 91999-1983 | A | A | NONE |
| 91999-1285 | 91703-0002 | 93002-2013 | NATURAL | 2a 2b 3b 4b | 01c d20 03c d40 | 1/2 3/4 | | NONE | 91703-0003 | 91999-1982 | A | A | NONE |
| 91999-1287 | 91703-0002 | 93002-2015 | NATURAL | 1a 4b | 01c | 1/2 3/4 | | NONE | 91703-0003 | 91999-1980 | A | A | NONE |
| 91999-1288 | 91703-0002 | 93002-2016 | NATURAL | 1b 2b 3b 4a | 01c 03c d40 | 1/2 3/4 | | NONE | 91703-0003 | 91999-1979 | A | A | NONE |
| 91999-1289 | 91703-0017 | 93002-2000 | NATURAL | 1b | 03c d40 | 1/2 3/4 | | NONE | 91703-0018 | 91999-1978 | C | A | NONE |
| 91999-1290 | 91703-0002 | 93002-2017 | NATURAL | 1b 2a 2b 3a 4a 4b | 03c d40 | 1/2 3/4 | | NONE | 91703-0003 | 91999-1977 | A | A | NONE |
| 91999-1291 | 91703-0002 | 93002-2018 | NATURAL | ALL | ALL | 1/2 3/4 | | NONE | 91703-0003 | 91999-1976 | A | A | NONE |

NOTES:
* SEE SHEET 1 NOTE 4

| | | | | | | | | | | | | | | | | | | | | | |
|---|--|---------------------|--|---|--|----------------|--|-----------------------------------|--|------------------------------------|--|----------------------------|--|-------------------------------------|--|-----------------|--|-----------------|--|-----------------------|--|
| THIS DRAWING CONTAINS INFORMATION THAT IS PROPRIETARY TO MOLEX ELECTRONIC TECHNOLOGIES, LLC AND SHOULD NOT BE USED WITHOUT WRITTEN PERMISSION | | | | | | | | | | | | | | | | | | | | | |
| DIMENSION UNITS mm | | SCALE 1:1 | | CURRENT REV DESC: | | | | RAST 5 VERT HDR PA 66 HOUSING | | | | | | | | | | | | | |
| GENERAL TOLERANCES (UNLESS SPECIFIED) | | | | EC NO: 746008 DRWN: RAHULH3 2023/04/10 CHK'D: RAHULH3 2023/04/14 APPR: MRAMAKRISHNA 2023/04/14 | | | | | | | | | | | | | | | | | |
| ANGULAR TOL ± 2.0° | | 4 PLACES ± | | 3 PLACES ± | | 2 PLACES ± 0.1 | | 1 PLACE ± 0.2 | | 0 PLACES ± | | PRODUCT CUSTOMER DRAWING | | | | | | | | | |
| DRAFT WHERE APPLICABLE MUST REMAIN WITHIN DIMENSIONS | | | | THIRD ANGLE PROJECTION | | DRAWING | | SERIES A1-SIZE 91999 | | MATERIAL NUMBER SEE SHEETS 2-18 | | CUSTOMER GENERAL MARKET | | DOCUMENT NUMBER 919990001 | | DOC TYPE PSD | | DOC PART 000 | | REVISION L4 | |

4 CIRCUIT

SEE CODE DESIGNATION TABLE FOR NUMBERING
FORMAT WHEN ADDING NEW PART NUMBE

| PART NO. (TIN) | TERM NO. (TIN) | MOLEX HOUSING NO. | COLOUR | UNBLOCKED POSITION KEYS | UNBLOCKED CODING KEYS | LATCH POSITION | CONFIGURATION (SEE NOTES) | TERMINAL VOID CKT | TERM NO. (SILVER) | PART NO. (SILVER) | P.C.B. POLARISATION OPTION | PACKAGING OPTION * | COLOUR STRIPE |
|----------------|----------------|-------------------|---------|-------------------------|-----------------------|----------------|---------------------------|-------------------|-------------------|-------------------|----------------------------|--------------------|---------------|
| 91999-1292 | 91703-0002 | 93002-2019 | NATURAL | 1b 2a 3a 4a | 01c d20 03c | 1/2 3/4 | | NONE | 91703-0003 | 91999-1975 | A | A | NONE |
| 91999-1293 | 91703-0002 | 93002-2020 | NATURAL | 1b 2b 3b 4a | 01c 03c d40 | 1/2 3/4 | | NONE | 91703-0003 | 91999-1974 | A | A | NONE |
| 91999-1294 | 91703-0002 | 93002-2021 | NATURAL | 1a 2a 2b 3a 3b 4a 4b | NONE | 1/2 3/4 | | NONE | 91703-0003 | 91999-1973 | A | A | NONE |
| 91999-1295 | 91703-0002 | 93002-2023 | NATURAL | 1b 3b 4b | 01c d20 03c | 1/2 3/4 | | NONE | 91703-0003 | 91999-1972 | A | A | NONE |
| 91999-1296 | 91703-0002 | 93002-2000 | NATURAL | 1b | 03c d40 | 1/2 3/4 | | NONE | 91703-0003 | 91999-1971 | B | A | NONE |
| 91999-1297 | 91703-0002 | 93002-2015 | NATURAL | 1a 4b | 01c | 1/2 3/4 | | NONE | 91703-0003 | 91999-1970 | B | A | NONE |
| 91999-1298 | 91703-0002 | 93002-2026 | RED | 1a 2a 4b | 01c d20 03c d40 | 1/2 3/4 | | NONE | 91703-0003 | 91999-1969 | A | A | NONE |
| 91999-1299 | 91703-0002 | 93002-2027 | GREEN | 2a 3a 3b 4b | 01c d20 03c d40 | 1/2 3/4 | | NONE | 91703-0003 | 91999-1968 | A | A | NONE |
| 91999-1300 | 91703-0002 | 93002-2001 | NATURAL | 1a 4b | d40 | 1/2 3/4 | | NONE | 91703-0003 | 91999-1951 | B | A | NONE |
| 91999-1301 | 91703-0002 | 93002-2047 | GREEN | 1b | 03c d40 | 1/2 3/4 | | NONE | 91703-0003 | 91999-1950 | A | A | NONE |
| 91999-1255 | 91703-0002 | 93002-2033 | NATURAL | 1b 2a 3a 4b | 01c d20 03c | 1/2 3/4 | | NONE | 91703-0003 | 91999-1963 | A | A | NONE |
| 91999-1256 | 91703-0002 | 93002-2034 | NATURAL | 1b 2b 3a 4b | 01c d40 | 1/2 3/4 | | NONE | 91703-0003 | 91999-1962 | A | A | NONE |
| 91999-1257 | 91703-0002 | 93002-2035 | NATURAL | 2a 2b 3a 4a | 01c 03c | 1/2 3/4 | | NONE | 91703-0003 | 91999-1961 | A | A | NONE |
| 91999-1258 | 91703-0017 | 93002-2015 | NATURAL | 1a 4b | 01c | 1/2 3/4 | | NONE | 91703-0018 | 91999-1960 | C | A | NONE |
| 91999-1259 | 91703-0017 | 93002-2010 | NATURAL | 3b | d30 | 2/3 | | NONE | 91703-0018 | 91999-1959 | C | A | NONE |
| 91999-1260 | 91703-0017 | 93002-2011 | NATURAL | 1b 2a 4b | 01c d20 03c d40 | 1/2 3/4 | | NONE | 91703-0018 | 91999-1958 | C | A | NONE |
| 91999-1261 | 91703-0002 | 93002-2036 | NATURAL | 1b 2a 3a 3b 4b | 01c d20 03c d40 | 1/2 3/4 | | NONE | 91703-0003 | 91999-1957 | A | A | NONE |
| 91999-1262 | 91703-0002 | 93002-2000 | NATURAL | 1b | 03c d40 | 1/2 3/4 | | CCT 3 | 91703-0003 | 91999-1956 | A | A | NONE |
| 91999-1263 | 91703-0002 | 93002-2037 | NATURAL | 1b 3b | d10 03c d40 | 3/4 | | NONE | 91703-0003 | 91999-1955 | A | A | NONE |
| 91999-1266 | 91703-0002 | 93002-2038 | NATURAL | 2a 3b 4b | 01c d20 03c d40 | 1/2 3/4 | | NONE | 91703-0003 | 91999-1954 | A | A | NONE |

NOTES:
* SEE SHEET 1 NOTE 4

| | | | | | | | | | | | |
|---|--|---------------------|--|------------------------|--|------------|--|-----------------------------------|--|-----------------|--|
| THIS DRAWING CONTAINS INFORMATION THAT IS PROPRIETARY TO MOLEX ELECTRONIC TECHNOLOGIES, LLC AND SHOULD NOT BE USED WITHOUT WRITTEN PERMISSION | | | | | | | | | | | |
| DIMENSION UNITS mm | | SCALE 1:1 | | CURRENT REV DESC: | | | | RAST 5 VERT HDR PA 66 HOUSING | | | |
| GENERAL TOLERANCES (UNLESS SPECIFIED) | | | | EC NO: 746008 | | | | | | | |
| ANGULAR TOL ± 2.0° | | 4 PLACES ± | | DRWN: RAHULH3 | | 2023/04/14 | | PRODUCT CUSTOMER DRAWING | | | |
| 3 PLACES ± | | 2 PLACES ± 0.1 | | CHK'D: RAHULH3 | | 2023/04/14 | | DOCUMENT NUMBER | | | |
| 1 PLACE ± 0.2 | | 0 PLACES ± | | APPR: MRAMAKRISHNA | | 2023/04/14 | | DOC TYPE DOC PART REVISION | | | |
| INITIAL REVISION: | | | | DRWN: AKABADI | | | | 919990001 | | | |
| DRAFT WHERE APPLICABLE MUST REMAIN WITHIN DIMENSIONS | | | | THIRD ANGLE PROJECTION | | DRAWING | | SERIES | | MATERIAL NUMBER | |
| | | | | | | A1-SIZE | | 91999 | | CUSTOMER | |
| | | | | | | | | SEE SHEETS 2-18 | | GENERAL MARKET | |
| | | | | | | | | | | SHEET NUMBER | |
| | | | | | | | | | | 9 OF 17 | |

4 CIRCUIT

SEE CODE DESIGNATION TABLE FOR NUMBERING
FORMAT WHEN ADDING NEW PART NUMBE

| PART NO. (TIN) | TERM NO. (TIN) | MOLEX HOUSING NO. | COLOUR | UNBLOCKED POSITION KEYS | UNBLOCKED CODING KEYS | LATCH POSITION | CONFIGURATION (SEE NOTES) | TERMINAL VOID CKT | TERM NO. (SILVER) | PART NO. (SILVER) | P.C.B. POLARISATION OPTION | PACKAGING OPTION * | COLOUR STRIPE |
|-------------------|-------------------|----------------------|---------|----------------------------|--------------------------|-------------------|------------------------------|----------------------|----------------------|----------------------|----------------------------------|-----------------------|------------------|
| 91999-1268 | 91703-0002 | 93002-2039 | NATURAL | 1b | 01c d20 03c d40 | 1/2 3/4 | | NONE | 91703-0003 | 91999-1953 | A | A | NONE |
| 91999-1269 | 91703-0017 | 93002-2002 | NATURAL | 2a 4b | d20 | 1/2 3/4 | | NONE | 91703-0018 | 91999-1989 | C | A | NONE |
| 91999-1253 | 91703-0017 | 93002-2004 | NATURAL | 1a 2b 4b | 01c 03c d40 | 1/2 3/4 | | NONE | 91703-0018 | 91999-1952 | C | A | NONE |
| 91999-7000 | 91703-0002 | 93002-2999 | NATURAL | 1b 2b 3b 4a | 01c 03c d40 | 1/2 3/4 | | NONE | 91703-0003 | 91999-7500 | A | A | NONE |
| 91999-7001 | 91703-0002 | 93002-2040 | NATURAL | 1a 1b 2a 3b 4a 4b | 01c 02c 03c d40 | 3/4 | | NONE | 91703-0003 | 91999-7501 | A | A | NONE |
| 91999-7002 | 91703-0002 | 93002-2041 | NATURAL | 1a | 01c d20 03c | 1/2 | | NONE | 91703-0003 | 91999-7502 | A | A | NONE |
| 91999-7003 | 91703-0002 | 93002-2042 | NATURAL | 2a 2b 3b 4a | 01c 03c d40 | 1/2 | | NONE | 91703-0003 | 91999-7503 | A | A | NONE |
| 91999-7004 | 91703-0017 | 93002-2036 | NATURAL | 1b 2a 3a 3b 4b | 01c d20 03c d40 | 1/2 3/4 | | NONE | 91703-0018 | 91999-7504 | C | A | NONE |
| 91999-7005 | 91703-0002 | 93002-2044 | NATURAL | 2a 3b | 01c d40 | 1/2 3/4 | | NONE | 91703-0003 | 91999-7505 | A | A | NONE |
| 91999-7006 | 91703-0002 | 93002-2046 | NATURAL | 1b 2a 3a 4b | d20 03c | 1/2 3/4 | | NONE | 91703-0003 | 91999-7506 | A | A | NONE |
| 91999-1279 | 91703-0002 | 93002-2028 | NATURAL | 1b 2a 4b | d20 03c d40 | 1/2 3/4 | | NONE | 91703-0003 | 91999-1967 | A | A | NONE |
| 91999-1251 | 91703-0002 | 93002-2029 | NATURAL | 1a 3b 4a | 01c d20 d40 | 1/2 3/4 | | NONE | 91703-0003 | 91999-1966 | A | A | NONE |
| 91999-1252 | 91703-0002 | 93002-2030 | NATURAL | 1a 2b 3b 4a | d20 d40 | 1/2 3/4 | | NONE | 91703-0003 | 91999-1965 | A | A | NONE |
| 91999-1302 | 91703-0002 | 93002-2000 | NATURAL | 1b | 03c d40 | 1/2 3/4 | | CCT 3 | 91703-0003 | 91999-1952 | B | A | NONE |

NOTES:

* SEE SHEET 1 NOTE 4

| | | | | | | | | | | | | | |
|---|--|---------------------|--|------------------------------------|--|---------------------------|--|----------------------------|--|-------------------------------------|--|--------------------------|--|
| THIS DRAWING CONTAINS INFORMATION THAT IS PROPRIETARY TO MOLEX ELECTRONIC TECHNOLOGIES, LLC AND SHOULD NOT BE USED WITHOUT WRITTEN PERMISSION | | | | | | | | | | | | | |
| DIMENSION UNITS mm | | SCALE 1:1 | | CURRENT REV DESC: | | | | | | | | | |
| GENERAL TOLERANCES (UNLESS SPECIFIED) | | | | EC NO: 746008 | | | | | | | | | |
| ANGULAR TOL ± 2.0° | | 4 PLACES ± | | 3 PLACES ± | | 2 PLACES ± 0.1 | | 1 PLACE ± 0.2 | | 0 PLACES ± | | | |
| DRAFT WHERE APPLICABLE MUST REMAIN WITHIN DIMENSIONS | | | | THIRD ANGLE PROJECTION | | DRAWING A1-SIZE | | SERIES 91999 | | DOCUMENT NUMBER 919990001 | | | |
| DOCUMENT STATUS P1 RELEASE DATE 2023/04/14 14:04:31 | | | | MATERIAL NUMBER SEE SHEETS 2-18 | | | | CUSTOMER GENERAL MARKET | | DOC TYPE PSD | | DOC PART 000 | |
| | | | | | | | | | | REVISION L4 | | SHEET NUMBER 10 OF 17 | |

5 CIRCUIT

SEE CODE DESIGNATION TABLE FOR NUMBERING
FORMAT WHEN ADDING NEW PART NUMBE

| PART NO. (TIN) | TERM NO. (TIN) | MOLEX HOUSING NO. | COLOUR | UNBLOCKED POSITION KEYS | UNBLOCKED CODING KEYS | LATCH POSITION | CONFIGURATION (SEE NOTES) | TERMINAL VOID CKT | TERM NO. (SILVER) | PART NO. (SILVER) | P.C.B. POLARISATION OPTION | PACKAGING OPTION * | COLOUR STRIPE |
|-------------------|-------------------|----------------------|---------|----------------------------|--------------------------|-------------------|------------------------------|----------------------|----------------------|----------------------|----------------------------------|-----------------------|------------------|
| 91999-2000 | 91703-0002 | 93002-3000 | NATURAL | 1a 5b | 01c d30 | 1/2 2/3 | | NONE | 91703-0003 | 91999-2749 | A | A | NONE |
| 91999-2001 | 91703-0002 | 93002-3001 | NATURAL | 1a 3a | 01c d30 | 1/2 4/5 | | NONE | 91703-0003 | 91999-2748 | A | A | NONE |
| 91999-2002 | 91703-0002 | 93002-3002 | NATURAL | 1a 5b | 01c d20 03c d50 | 1/2 3/4 | | NONE | 91703-0003 | 91999-2747 | A | A | NONE |
| 91999-2003 | 91703-0002 | 93002-3003 | NATURAL | 1b 2a 3b 5a | 01c 03c | 1/2 3/4 | | NONE | 91703-0003 | 91999-2746 | A | A | NONE |
| 91999-2004 | 91703-0002 | 93002-3004 | NATURAL | 1a 2a 2b 4b 5b | 01c d30 04c d50 | 1/2 2/3 4/5 | | NONE | 91703-0003 | 91999-2745 | A | A | NONE |
| 91999-2006 | 91703-0002 | 93002-3005 | NATURAL | 2a | 01c d50 | 2/3 4/5 | | NONE | 91703-0003 | 91999-2742 | A | A | NONE |
| 91999-2012 | 91703-0002 | 93002-3006 | NATURAL | 2a 4b | 01c d20 d40 | 1/2 3/4 | | NONE | 91703-0003 | 91999-2743 | A | A | NONE |
| 91999-2013 | 91703-0002 | 93002-3007 | NATURAL | 2b | d20 | 1/2 4/5 | | NONE | 91703-0003 | 91999-2741 | A | A | NONE |
| 91999-2014 | 91703-0002 | 93002-3008 | NATURAL | 4b 5a | 01c d30 04c d50 | 1/2 4/5 | | NONE | 91703-0003 | 91999-2740 | A | A | NONE |
| 91999-2015 | 91703-0002 | 93002-3009 | NATURAL | NONE | 01c d40 | 1/2 3/4 | | NONE | 91703-0003 | 91999-2739 | A | A | NONE |
| 91999-2017 | 91703-0002 | 93002-3010 | NATURAL | 1a 4a | d30 | 1/2 4/5 | | NONE | 91703-0003 | 91999-2737 | A | A | NONE |
| 91999-2024 | 91703-0002 | 93002-3011 | NATURAL | 1a 5b | d20 d40 | 1/2 3/4 | | NONE | 91703-0003 | 91999-2732 | A | A | NONE |
| 91999-2025 | 91703-0002 | 93002-3019 | NATURAL | 2b | d20 d50 | 1/2 3/4 | | NONE | 91703-0003 | 91999-2733 | A | A | NONE |
| 91999-2006 | 91703-0002 | 93002-3005 | NATURAL | 2a | 01c d50 | 2/3 4/5 | | NONE | 91703-0003 | 91999-2742 | A | A | NONE |
| 91999-2027 | 91703-0002 | 93002-3020 | NATURAL | 1a 3a 4b 5a | 03c 04c | 1/2 4/5 | | NONE | 91703-0003 | 91999-2735 | A | A | NONE |
| 91999-2029 | 91703-0002 | 93002-3016 | NATURAL | 1b 2a 4a | 01c 04c d50 | 1/2 4/5 | | NONE | 91703-0003 | 91999-2730 | A | A | NONE |
| 91999-2030 | 91703-0002 | 93002-3017 | NATURAL | 2b 3b 4a | 01c d20 d40 | 1/2 3/4 | | NONE | 91703-0003 | 91999-2729 | A | A | NONE |
| 91999-2031 | 91703-0002 | 93002-3022 | NATURAL | 1a 5b | 01c d20 03c d50 | 1/2 4/5 | | NONE | 91703-0003 | 91999-2728 | A | A | NONE |
| 91999-2032 | 91703-0002 | 93002-3023 | NATURAL | 1a 1b 4a | d30 04c d50 | 1/2 4/5 | | NONE | 91703-0003 | 91999-2727 | A | A | NONE |

NOTES:
* SEE SHEET 1 NOTE 4

| | | | | | | | | | | | |
|---|--|------------------------|--|--------------------|--|---------------------|--|-----------------------------------|--|----------------|--|
| THIS DRAWING CONTAINS INFORMATION THAT IS PROPRIETARY TO MOLEX ELECTRONIC TECHNOLOGIES, LLC AND SHOULD NOT BE USED WITHOUT WRITTEN PERMISSION | | | | | | | | | | | |
| DIMENSION UNITS mm | | SCALE 1:1 | | CURRENT REV DESC: | | | | RAST 5 VERT HDR PA 66 HOUSING | | | |
| GENERAL TOLERANCES (UNLESS SPECIFIED) | | | | EC NO: 746008 | | | | | | | |
| ANGULAR TOL ± 2.0° | | 4 PLACES ± | | DRWN: RAHULH3 | | 2023/04/10 | | PRODUCT CUSTOMER DRAWING | | | |
| 3 PLACES ± | | 2 PLACES ± 0.1 | | CHK'D: RAHULH3 | | 2023/04/14 | | DOCUMENT NUMBER | | | |
| 1 PLACE ± 0.2 | | 0 PLACES ± | | APPR: MRAMAKRISHNA | | 2023/04/14 | | 919990001 | | PSD 000 L4 | |
| DRAFT WHERE APPLICABLE MUST REMAIN WITHIN DIMENSIONS | | THIRD ANGLE PROJECTION | | DRAWING | | SERIES | | MATERIAL NUMBER | | CUSTOMER | |
| | | | | A1-SIZE | | 91999 | | SEE SHEETS 2-18 | | GENERAL MARKET | |
| DOCUMENT STATUS | | P1 | | RELEASE DATE | | 2023/04/14 14:04:31 | | SHEET NUMBER | | 11 OF 17 | |

5 CIRCUIT

SEE CODE DESIGNATION TABLE FOR NUMBERING
FORMAT WHEN ADDING NEW PART NUMBE

| PART NO. (TIN) | TERM NO. (TIN) | MOLEX HOUSING NO. | COLOUR | UNBLOCKED POSITION KEYS | UNBLOCKED CODING KEYS | LATCH POSITION | CONFIGURATION (SEE NOTES) | TERMINAL VOID CKT | TERM NO. (SILVER) | PART NO. (SILVER) | P.C.B. POLARISATION OPTION | PACKAGING OPTION * | COLOUR STRIPE |
|-------------------|-------------------|----------------------|---------|----------------------------|--------------------------|-------------------|------------------------------|----------------------|----------------------|----------------------|----------------------------------|-----------------------|------------------|
| 91999-2033 | 91703-0002 | 93002-3002 | NATURAL | 1a 5b | 01c d20 03c d50 | 1/2 3/4 | | NONE | 91703-0003 | 91999-2726 | B | A | NONE |
| 91999-2034 | 91703-0017 | 93002-3001 | NATURAL | 1a 3a | 01c d30 | 1/2 4/5 | | NONE | 91703-0018 | 91999-2725 | C | A | NONE |
| 91999-2035 | 91703-0002 | 93002-3024 | NATURAL | ALL | ALL | 1/2 3/4 | | NONE | 91703-0003 | 91999-2724 | A | A | NONE |
| 91999-2036 | 91703-0017 | 93002-3000 | NATURAL | 1a 5b | 01c d30 | 1/2 2/3 | | NONE | 91703-0018 | 91999-2723 | C | A | NONE |
| 91999-2038 | 91703-0002 | 93002-3000 | NATURAL | 1a 5b | 01c d30 | 1/2 2/3 | | NONE | 91703-0003 | 91999-2721 | B | A | NONE |
| 91999-2039 | 91703-0017 | 93002-3003 | NATURAL | 1b 2a 3b 5a | 01c 03c | 1/2 3/4 | | NONE | 91703-0018 | 91999-2720 | C | A | NONE |
| 91999-2040 | 91703-0002 | 93002-3003 | NATURAL | 1b 2a 3b 5a | 01c 03c | 1/2 3/4 | | NONE | 91703-0003 | 91999-2719 | B | A | NONE |
| 91999-2041 | 91703-0002 | 93002-3026 | NATURAL | 2a 2b 3b 4a | d20 d40 | 1/2 3/4 | | NONE | 91703-0003 | 91999-2718 | A | A | NONE |
| 91999-2042 | 91703-0017 | 93002-3002 | NATURAL | 1a 5b | 01c d20 03c d50 | 1/2 3/4 | | NONE | 91703-0018 | 91999-2717 | C | A | NONE |
| 91999-2043 | 91703-0002 | 93002-3029 | NATURAL | 1b 3b 4b | 01c d20 d50 | 1/2 4/5 | | 2,4 | 91703-0003 | 91999-2716 | A | A | NONE |
| 91999-2044 | 91703-0002 | 93002-3007 | NATURAL | 2b | d20 | 1/2 4/5 | | 4 | 91703-0003 | 91999-2715 | A | A | NONE |
| 91999-2045 | 91703-0002 | 93002-3030 | NATURAL | 1a 2b 4b | 03c d50 | 1/2 4/5 | | NONE | 91703-0003 | 91999-2714 | A | A | NONE |
| 91999-2046 | 91703-0002 | 93002-3031 | NATURAL | 2b | d20 | 1/2 | | 2,4 | 91703-0003 | 91999-2713 | A | A | NONE |
| ---- | 91703-0002 | 93002-3022 | NATURAL | 1a 5b | 01c d20 03c d50 | 1/2 4/5 | | 2,4 | 91703-0003 | 91999-2712 | A | A | NONE |
| 91999-2048 | 91703-0002 | 93002-3022 | NATURAL | 1a 5b | 01c d20 03c d50 | 1/2 4/5 | | 2,4 | 91703-0003 | 91999-2711 | B | A | NONE |
| 91999-2049 | 91703-0002 | 93002-3007 | NATURAL | 2b | d20 | 1/2 4/5 | | 2,4 | 91703-0003 | 91999-2710 | B | A | NONE |
| 91999-2050 | 91703-0002 | 93002-3020 | NATURAL | 1a 3a 4b 5a | 03c 04c | 1/2 4/5 | | 4 | 91703-0003 | 91999-2709 | A | A | NONE |
| 91999-2051 | 91703-0002 | 93002-3006 | NATURAL | 2a 4b | 01c d20 d40 | 1/2 3/4 | | NONE | 91703-0003 | 91999-2708 | B | A | NONE |
| 91999-2052 | 91703-0002 | 93002-3006 | NATURAL | 2a 4b | 01c d20 d40 | 1/2 3/4 | | 4 | 91703-0003 | 91999-2708 | A | A | NONE |

NOTES:

* SEE SHEET 1 NOTE 4

| | | | | | | | | | | | |
|---|--|------------------------|--|--------------------|--|----------------|--|-------------------------------|--|--------------------------------|--|
| THIS DRAWING CONTAINS INFORMATION THAT IS PROPRIETARY TO MOLEX ELECTRONIC TECHNOLOGIES, LLC AND SHOULD NOT BE USED WITHOUT WRITTEN PERMISSION | | | | | | | | | | | |
| DIMENSION UNITS mm | | SCALE 1:1 | | CURRENT REV DESC: | | | | | | | |
| GENERAL TOLERANCES (UNLESS SPECIFIED) | | | | EC NO: 746008 | | | | | | | |
| ANGULAR TOL ± 2.0° | | 4 PLACES ± | | DRWN: RAHULH3 | | 2023/04/10 | | RAST 5 VERT HDR PA 66 HOUSING | | | |
| 3 PLACES ± | | 2 PLACES ± 0.1 | | CHK'D: RAHULH3 | | 2023/04/14 | | PRODUCT CUSTOMER DRAWING | | | |
| 1 PLACE ± 0.2 | | 0 PLACES ± | | APPR: MRAMAKRISHNA | | 2023/04/14 | | INITIAL REVISION: | | | |
| DRAFT WHERE APPLICABLE MUST REMAIN WITHIN DIMENSIONS | | THIRD ANGLE PROJECTION | | DRAWING | | SERIES | | DOCUMENT NUMBER | | DOC TYPE DOC PART REVISION | |
| A1-SIZE | | 91999 | | DRWN: AKABADI | | 2017/09/15 | | 919990001 | | PSD 000 L4 | |
| SEE SHEETS 2-18 | | GENERAL MARKET | | APPR: BRUTTLE | | 2017/11/10 | | MATERIAL NUMBER | | CUSTOMER | |
| SHEET NUMBER | | 12 OF 17 | | CUSTOMER | | GENERAL MARKET | | SHEET NUMBER | | 12 OF 17 | |

6 CIRCUIT

SEE CODE DESIGNATION TABLE FOR NUMBERING
FORMAT WHEN ADDING NEW PART NUMBE

| PART NO. (TIN) | TERM NO. (TIN) | MOLEX HOUSING NO. | COLOUR | UNBLOCKED POSITION KEYS | UNBLOCKED CODING KEYS | LATCH POSITION | CONFIGURATION (SEE NOTES) | TERMINAL VOID CKT | TERM NO. (SILVER) | PART NO. (SILVER) | P.C.B. POLARISATION OPTION | PACKAGING OPTION * | COLOUR STRIPE |
|-------------------|-------------------|----------------------|---------|----------------------------|--------------------------|-------------------|------------------------------|----------------------|----------------------|----------------------|----------------------------------|-----------------------|------------------|
| 91999-2753 | 91703-0002 | 93002-4000 | NATURAL | 1b | 03c d60 | 1/2 4/5 | | NONE | 91703-0003 | 91999-3499 | A | A | NONE |
| 91999-2754 | 91703-0002 | 93002-4001 | NATURAL | 1a 3b 4b | 01c d50 06c | 1/2 4/5 | | NONE | 91703-0003 | 91999-3498 | A | A | NONE |
| 91999-2755 | 91703-0002 | 93002-4002 | NATURAL | 1a 1b 2b 3a 3b 4b | d30 04c d50 | 1/2 2/3 4/5 | | NONE | 91703-0003 | 91999-3497 | A | A | NONE |
| 91999-2756 | 91703-0002 | 93002-4003 | NATURAL | 1a 1b 4a 4b | d10 d50 | 2/3 4/5 | | NONE | 91703-0003 | 91999-3496 | A | A | NONE |
| 91999-2757 | 91703-0002 | 93002-4004 | NATURAL | 2a 4b 5a 6b | d20 03c 05c | 1/2 3/4 5/6 | | NONE | 91703-0003 | 91999-3495 | A | A | NONE |
| 91999-2758 | 91703-0002 | 93002-4005 | NATURAL | 1a 2b 3a 3b 5b 6b | 01c d40 d60 | 1/2 3/4 5/6 | | NONE | 91703-0003 | 91999-3494 | A | A | NONE |
| 91999-2759 | 91703-0002 | 93002-4006 | NATURAL | 1b 2a 3a 4b 5a 5b 6b | 01c 03c d60 | 1/2 3/4 5/6 | | NONE | 91703-0003 | 91999-3493 | A | A | NONE |
| 91999-2761 | 91703-0002 | 93002-4007 | NATURAL | 2b | d20 d60 | 1/2 5/6 | | NONE | 91703-0003 | 91999-3492 | A | A | NONE |
| 91999-2762 | 91703-0002 | 93002-4008 | NATURAL | 2b 3b 4a | 01c d50 06c | 1/2 4/5 | | NONE | 91703-0003 | 91999-3491 | A | A | NONE |
| 91999-2768 | 91703-0002 | 93002-4009 | NATURAL | 1b 4b | d20 03c d50 06c | 1/2 4/5 | | NONE | 91703-0003 | 91999-3486 | A | A | NONE |
| 91999-2769 | 91703-0002 | 93002-4010 | NATURAL | 1a 2b 3b 4a 6b | 01c 03c d40 05c d60 | 1/2 3/4 5/6 | | NONE | 91703-0003 | 91999-3485 | A | A | NONE |
| 91999-2770 | 91703-0002 | 93002-4011 | NATURAL | 1a 2b 4a 6b | 01c d40 | 1/2 3/4 5/6 | | NONE | 91703-0003 | 91999-3484 | A | A | NONE |
| 91999-2771 | 91703-0002 | 93002-4030 | NATURAL | 1b 6b | d40 | 1/2 5/6 | | 2 & 5 | 91703-0003 | 91999-3483 | A | A | NONE |
| 91999-2772 | 91703-0002 | 93002-4016 | NATURAL | 1b 2a 3a 4b 5a 5b 6b | 01c d60 | 2/3 5/6 | | NONE | 91703-0003 | 91999-3482 | A | A | NONE |
| 91999-2773 | 91703-0017 | 93002-4000 | NATURAL | 1b | 03c d60 | 1/2 4/5 | | NONE | 91703-0018 | 91999-3481 | C | A | NONE |
| 91999-2774 | 91703-0017 | 93002-4017 | NATURAL | 1a 1b 2b 3b | d20 05c d60 | 1/2 3/4 5/6 | | NONE | 91703-0018 | 91999-3480 | C | A | NONE |
| 91999-2775 | 91703-0017 | 93002-4016 | NATURAL | 1b 2a 3a 4b 5a 5b 6b | 01c d60 | 2/3 5/6 | | NONE | 91703-0018 | 91999-3479 | C | A | NONE |
| 91999-2776 | 91703-0002 | 93002-4018 | NATURAL | ALL | ALL | 1/2 4/5 | | NONE | 91703-0003 | 91999-3478 | A | A | NONE |
| 91999-2777 | 91703-0002 | 93002-4019 | NATURAL | 1b | 03c d60 | 1/2 5/6 | | NONE | 91703-0003 | 91999-3477 | A | A | NONE |
| 91999-2778 | 91703-0002 | 93002-4020 | NATURAL | 1b 2b 3b | 01c 05c d60 | 1/2 3/4 5/6 | | NONE | 91703-0003 | 91999-3476 | A | A | NONE |

NOTES:
* SEE SHEET 1 NOTE 4

| | | | | | | | | | | | |
|---|--|--|--|---|--|---------|--|-----------------------------------|--|---|--|
| THIS DRAWING CONTAINS INFORMATION THAT IS PROPRIETARY TO MOLEX ELECTRONIC TECHNOLOGIES, LLC AND SHOULD NOT BE USED WITHOUT WRITTEN PERMISSION | | | | | | | | | | | |
| DIMENSION UNITS mm | | SCALE 1:1 | | CURRENT REV DESC: | | | | RAST 5 VERT HDR PA 66 HOUSING | | | |
| GENERAL TOLERANCES (UNLESS SPECIFIED) | | | | EC NO: 746008 DRWN: RAHULH3 2023/04/10 CHK'D: RAHULH3 2023/04/14 APPR: MRAMAKRISHNA 2023/04/14 | | | | | | | |
| ANGULAR TOL ± 2.0° | | | | INITIAL REVISION: | | | | PRODUCT CUSTOMER DRAWING | | | |
| 4 PLACES ± | | 3 PLACES ± | | DRWN: AKABADI 2017/09/15 | | | | DOCUMENT NUMBER | | DOC TYPE DOC PART REVISION | |
| 2 PLACES ± 0.1 | | 1 PLACE ± 0.2 | | APPR: BRUTTLE 2017/11/10 | | | | 919990001 | | PSD 000 L4 | |
| 0 PLACES ± | | DRAFT WHERE APPLICABLE MUST REMAIN WITHIN DIMENSIONS | | THIRD ANGLE PROJECTION | | DRAWING | | SERIES | | MATERIAL NUMBER CUSTOMER SHEET NUMBER | |
| | | | | A1-SIZE | | 91999 | | SEE SHEETS 2-18 | | GENERAL MARKET 13 OF 17 | |

6 CIRCUIT

SEE CODE DESIGNATION TABLE FOR NUMBERING
FORMAT WHEN ADDING NEW PART

| PART NO. (TIN) | TERM NO. (TIN) | MOLEX HOUSING NO. | COLOUR | UNBLOCKED POSITION KEYS | UNBLOCKED CODING KEYS | LATCH POSITION | CONFIGURATION (SEE NOTES) | TERMINAL VOID CKT | TERM NO. (SILVER) | PART NO. (SILVER) | P.C.B. POLARISATION OPTION | PACKAGING OPTION * | COLOUR STRIPE |
|-------------------|-------------------|----------------------|---------|----------------------------|--------------------------------|-------------------|------------------------------|----------------------|----------------------|----------------------|----------------------------------|-----------------------|------------------|
| 91999-2779 | 91703-0002 | 93002-4021 | NATURAL | ALL | ALL | 2/3 4/5 | | NONE | 91703-0003 | 91999-3475 | A | A | NONE |
| 91999-2780 | 91703-0002 | 93002-4023 | NATURAL | 1b 6a | 04c | 1/2 5/6 | | NONE | 91703-0003 | 91999-3474 | A | A | NONE |
| 91999-2781 | 91703-0017 | 93002-4000 | NATURAL | 1b | 03c d60 | 1/2 4/5 | | NONE | 91703-0018 | 91999-3473 | C | A | NONE |
| 91999-2782 | 91703-0002 | 93002-4022 | NATURAL | 1b 2a 2b 3a 3b 6a | ALL | 4/5 | | NONE | 91703-0003 | 91999-3472 | A | A | NONE |
| 91999-2783 | 91703-0002 | 93002-4025 | NATURAL | 1b 2a 3a 4b 5b 6a 6b | 01c d20 03c d60 | 1/2 3/4 5/6 | | NONE | 91703-0003 | 91999-3471 | A | A | NONE |
| 91999-2784 | 91703-0002 | 93002-4012 | NATURAL | 2b 6b | d40 | 1/2 5/6 | | NONE | 91703-0003 | 91999-3470 | A | A | NONE |
| 91999-2785 | 91703-0002 | 93002-4026 | NATURAL | 1a 1b 2a 2b 3a 3b 6a | 01c d10 02c d30 d50 06c | 4/5 | | NONE | 91703-0003 | 91999-3469 | A | A | NONE |
| 91999-2786 | 91703-0002 | 93002-4000 | NATURAL | 1b | 03c d60 | 1/2 4/5 | | 2 | 91703-0003 | 91999-3468 | A | A | NONE |
| 91999-2787 | 91703-0002 | 93002-4027 | NATURAL | 1a 1b 2a 2b 3a 3b 5b 6b | 01c d20 03c d30 04c 05c d60 | 1/2 5/6 | | NONE | 91703-0003 | 91999-3467 | A | A | NONE |
| 91999-2788 | 91703-0002 | 93002-4028 | NATURAL | 1b 5b 6a | d20 03c d40 05c | 1/2 3/4 5/6 | | NONE | 91703-0003 | 91999-3487 | A | A | NONE |
| 91999-2789 | 91703-0002 | 93002-4000 | NATURAL | 1b | 03c d60 | 1/2 4/5 | | NONE | 91703-0003 | 91999-3490 | B | A | NONE |

NOTES:
* SEE SHEET 1 NOTE 4

| | | | | | | | | | | | | | |
|---|--|---------------------|--|--|--|---------------------------|--|---|--|-------------------------------------|--|--------------------------|--|
| THIS DRAWING CONTAINS INFORMATION THAT IS PROPRIETARY TO MOLEX ELECTRONIC TECHNOLOGIES, LLC AND SHOULD NOT BE USED WITHOUT WRITTEN PERMISSION | | | | | | | | | | | | | |
| DIMENSION UNITS mm | | SCALE 1:1 | | CURRENT REV DESC: | | | | RAST 5 VERT HDR PA 66 HOUSING | | | | | |
| GENERAL TOLERANCES (UNLESS SPECIFIED) | | | | EC NO: 746008 | | | | | | | | | |
| ANGULAR TOL ± 2.0° | | 4 PLACES ± | | 3 PLACES ± | | 2 PLACES ± 0.1 | | 1 PLACE ± 0.2 | | 0 PLACES ± | | | |
| DRAFT WHERE APPLICABLE MUST REMAIN WITHIN DIMENSIONS | | | | THIRD ANGLE PROJECTION | | DRAWING A1-SIZE | | SERIES 91999 | | MATERIAL NUMBER 919990001 | | | |
| DOCUMENT STATUS P1 RELEASE DATE 2023/04/14 14:04:31 | | | | DRWN: RAHULH3 2023/04/10 CHK'D: RAHULH3 2023/04/14 APPR: MRAMAKRISHNA 2023/04/14 | | | | INITIAL REVISION: DRWN: AKABADI 2017/09/15 APPR: BRUTTLE 2017/11/10 | | DOC TYPE PSD | | DOC PART 000 | |
| | | | | PRODUCT CUSTOMER DRAWING | | | | REVISION L4 | | CUSTOMER GENERAL MARKET | | SHEET NUMBER 14 OF 17 | |

7 CIRCUIT

SEE CODE DESIGNATION TABLE FOR NUMBERING
FORMAT WHEN ADDING NEW PART NUMBE

| PART NO. (TIN) | TERM NO. (TIN) | MOLEX HOUSING NO. | COLOUR | UNBLOCKED POSITION KEYS | UNBLOCKED CODING KEYS | LATCH POSITION | CONFIGURATION (SEE NOTES) | TERMINAL VOID CKT | TERM NO. (SILVER) | PART NO. (SILVER) | P.C.B. POLARISATION OPTION | PACKAGING OPTION * | COLOUR STRIPE |
|-------------------|-------------------|----------------------|---------|----------------------------|----------------------------|-------------------|------------------------------|----------------------|----------------------|----------------------|----------------------------------|-----------------------|------------------|
| 91999-3511 | 91703-0002 | 93002-5000 | NATURAL | NONE | 03c d40 07c | 1/2 5/6 | | NONE | 91703-0003 | 91999-4249 | A | A | NONE |
| 91999-3512 | 91703-0002 | 93002-5001 | NATURAL | 3a 4a | d30 d70 | 1/2 5/6 | | NONE | 91703-0003 | 91999-4248 | A | A | NONE |
| 91999-3504 | 91703-0002 | 93002-5002 | NATURAL | 2b | d20 d60 | 1/2 5/6 | | NONE | 91703-0003 | 91999-4247 | A | A | NONE |
| 91999-3508 | 91703-0002 | 93002-5003 | NATURAL | 1a 1b 3a 4b 5a | 01c 07c | 1/2 3/4 5/6 | | NONE | 91703-0003 | 91999-4243 | A | A | NONE |
| 91999-3509 | 91703-0002 | 93002-5004 | NATURAL | 2a | 01c d50 | 2/3 4/5 | | NONE | 91703-0003 | 91999-4242 | A | A | NONE |
| 91999-3515 | 91703-0002 | 93002-5005 | NATURAL | 7b | 01c d40 d70 | 1/2 3/4 6/7 | | NONE | 91703-0003 | 91999-4240 | A | A | NONE |
| 91999-3516 | 91703-0002 | 93002-5006 | NATURAL | 1b | 03c d60 | 1/2 4/5 | | NONE | 91703-0003 | 91999-4239 | A | A | NONE |
| 91999-3517 | 91703-0002 | 93002-5007 | NATURAL | 1a 3a 4b 7b | 01c d20 03c 06c | 1/2 3/4 6/7 | | NONE | 91703-0003 | 91999-4238 | A | A | NONE |
| 91999-3519 | 91703-0002 | 93002-5008 | NATURAL | 1b 7a | 02c d50 | 2/3 6/7 | | NONE | 91703-0003 | 91999-4237 | A | A | NONE |
| 91999-3521 | 91703-0002 | 93002-5009 | NATURAL | 1a 2b 3a 4b 6a | d20 03c d40 d50 d70 | 1/2 3/4 6/7 | | NONE | 91703-0003 | 91999-4236 | A | A | NONE |
| 91999-3522 | 91703-0002 | 93002-5010 | NATURAL | 1b 6a | d20 03c d50 d70 | 1/2 3/4 6/7 | | NONE | 91703-0003 | 91999-4235 | A | A | NONE |
| 91999-3523 | 91703-0002 | 93002-5011 | NATURAL | 1b 2a 5a 5b 7b | d20 d50 06c d70 | 1/2 4/5 6/7 | | NONE | 91703-0003 | 91999-4234 | A | A | NONE |
| 91999-3524 | 91703-0002 | 93002-5012 | NATURAL | 2b | d20 07c | 1/2 3/4 5/6 | | NONE | 91703-0003 | 91999-4233 | A | A | NONE |
| 91999-3525 | 91703-0002 | 93002-5013 | NATURAL | 2a 2b 4b 5b 6a | d20 03c d40 d60 | 1/2 3/4 5/6 | | NONE | 91703-0003 | 91999-4232 | A | A | NONE |
| 91999-3526 | 91703-0002 | 93002-5014 | NATURAL | 2b 4a 4b 5b 6a | 01c d20 d40 d60 | 1/2 3/4 5/6 | | NONE | 91703-0003 | 91999-4231 | A | A | NONE |
| 91999-3527 | 91703-0002 | 93002-5015 | NATURAL | 1b 2a 3a 5b 6a 6b 7b | 01c d70 | 2/3 6/7 | | NONE | 91703-0003 | 91999-4230 | A | A | NONE |
| 91999-3528 | 91703-0002 | 93002-5016 | NATURAL | ALL | ALL | 1/2 5/6 | | NONE | 91703-0003 | 91999-4229 | A | A | NONE |
| 91999-3529 | 91703-0002 | 93002-5017 | NATURAL | 2a 3b 4b 5a 6a 6b 7a | 01c d30 04c 06c d60 d70 | 1/2 4/5 | | NONE | 91703-0003 | 91999-4228 | A | A | NONE |
| 91999-3530 | 91703-0002 | 93002-5018 | NATURAL | NONE | 04c 07c | 1/2 5/6 | | NONE | 91703-0003 | 91999-4227 | A | A | NONE |
| 91999-3531 | 91703-0017 | 93002-5000 | NATURAL | NONE | 03c d40 07c | 1/2 5/6 | | NONE | 91703-0018 | 91999-4226 | C | A | NONE |

NOTES:
* SEE SHEET 1 NOTE 4

| | | | | | | | | | | | |
|---|--|------------------------|--|--------------------|--|------------|--|--|--|--------------------------|--|
| THIS DRAWING CONTAINS INFORMATION THAT IS PROPRIETARY TO MOLEX ELECTRONIC TECHNOLOGIES, LLC AND SHOULD NOT BE USED WITHOUT WRITTEN PERMISSION | | | | | | | | | | | |
| DIMENSION UNITS mm | | SCALE 1:1 | | CURRENT REV DESC: | | | | RAST 5 VERT HDR PA 66 HOUSING | | | |
| GENERAL TOLERANCES (UNLESS SPECIFIED) | | | | EC NO: 746008 | | | | | | | |
| ANGULAR TOL ± 2.0° | | 4 PLACES ± | | DRWN: RAHULH3 | | 2023/04/10 | | PRODUCT CUSTOMER DRAWING DOCUMENT NUMBER: 919990001 PSD 000 L4 REVISION: 2017/11/10 | | | |
| 3 PLACES ± | | 2 PLACES ± 0.1 | | CHK'D: RAHULH3 | | 2023/04/14 | | | | | |
| 1 PLACE ± 0.2 | | 0 PLACES ± | | APPR: MRAMAKRISHNA | | 2023/04/14 | | INITIAL REVISION: DRWN: AKABADI 2017/09/15 APPR: BRUTTLE 2017/11/10 | | | |
| DRAFT WHERE APPLICABLE MUST REMAIN WITHIN DIMENSIONS | | THIRD ANGLE PROJECTION | | DRAWING | | SERIES | | | | | |
| | | | | A1-SIZE | | 91999 | | MATERIAL NUMBER | | CUSTOMER | |
| | | | | | | | | SEE SHEETS 2-18 | | GENERAL MARKET | |
| | | | | | | | | | | SHEET NUMBER 15 OF 17 | |

7 CIRCUIT

SEE CODE DESIGNATION TABLE FOR NUMBERING
FORMAT WHEN ADDING NEW PART NUMBE

| PART NO. (TIN) | TERM NO. (TIN) | MOLEX HOUSING NO. | COLOUR | UNBLOCKED POSITION KEYS | UNBLOCKED CODING KEYS | LATCH POSITION | CONFIGURATION (SEE NOTES) | TERMINAL VOID CKT | TERM NO. (SILVER) | PART NO. (SILVER) | P.C.B. POLARISATION OPTION | PACKAGING OPTION * | COLOUR STRIPE |
|-------------------|-------------------|----------------------|---------|----------------------------|----------------------------|--------------------|------------------------------|----------------------|----------------------|----------------------|----------------------------------|-----------------------|------------------|
| 91999-3532 | 91703-0002 | 93002-5021 | NATURAL | 5b | d30 d70 | 1/2 6/7 | | NONE | 91703-0003 | 91999-4225 | A | A | NONE |
| 91999-3533 | 91703-0002 | 93002-5022 | NATURAL | 1a 1b 2b 3a 4b 6a | d10 d30 04c d40 d50 d70 | 2/3 6/7 | | NONE | 91703-0003 | 91999-4224 | A | A | NONE |
| 91999-3534 | 91703-0002 | 93002-5023 | NATURAL | 1b 2b 3a 4a 7b | d20 03c d70 | 1/2 3/4 4/5 6/7 | | NONE | 91703-0003 | 91999-4223 | A | A | NONE |
| 91999-3535 | 91703-0002 | 93002-5021 | NATURAL | 5b | d30 d70 | 1/2 6/7 | | 2, 4 & 6 | 91703-0003 | 91999-4222 | A | A | NONE |
| 91999-3536 | 91703-0002 | 93002-5001 | NATURAL | 3a 4a | d30 d70 | 1/2 5/6 | | NONE | 91703-0003 | 91999-4221 | A | A | NONE |
| 91999-3537 | 91703-0002 | 93002-5021 | NATURAL | 5b | d30 d70 | 1/2 6/7 | | 2, 4 & 6 | 91703-0003 | 91999-4220 | B | A | NONE |
| 91999-3538 | 91703-0002 | 93002-5001 | NATURAL | 3a 4a | d30 d70 | 1/2 5/6 | | 2, 4 & 6 | 91703-0003 | 91999-4219 | B | A | NONE |
| 91999-3539 | 91703-0002 | 93002-5000 | NATURAL | NONE | 03c d40 07c | 1/2 5/6 | | NONE | 91703-0003 | 91999-4218 | B | A | NONE |
| 91999-3540 | 91703-0002 | 93002-5025 | NATURAL | 5b | d30 d70 | 2/3 5/6 | | 2, 4 & 6 | 91703-0003 | 91999-4217 | B | A | NONE |

NOTES:
* SEE SHEET 1 NOTE 4

| | | | | | | | | | |
|---|--------|-------------------------------|---------|--------|--|--|--|--|--|
| THIS DRAWING CONTAINS INFORMATION THAT IS PROPRIETARY TO MOLEX ELECTRONIC TECHNOLOGIES, LLC AND SHOULD NOT BE USED WITHOUT WRITTEN PERMISSION | | | | | | | | | |
| DIMENSION UNITS | SCALE | CURRENT REV DESC: | | | | | | | |
| mm | 1:1 | | | | | | | | |
| GENERAL TOLERANCES (UNLESS SPECIFIED) | | EC NO: 746008 | | | RAST 5 VERT HDR PA 66 HOUSING | | | | |
| ANGULAR TOL | ± 2.0° | DRWN: RAHULH3 2023/04/10 | | | | | | | |
| 4 PLACES | ± | CHK'D: RAHULH3 2023/04/14 | | | PRODUCT CUSTOMER DRAWING | | | | |
| 3 PLACES | ± | APPR: MRAMAKRISHNA 2023/04/14 | | | | | | | |
| 2 PLACES | ± 0.1 | INITIAL REVISION: | | | DOCUMENT NUMBER: 919990001 DOC TYPE: PSD DOC PART: 000 REVISION: L4 | | | | |
| 1 PLACE | ± 0.2 | DRWN: AKABADI 2017/09/15 | | | | | | | |
| 0 PLACES | ± | APPR: BRUTTLE 2017/11/10 | | | MATERIAL NUMBER: 91999 CUSTOMER: GENERAL MARKET SHEET NUMBER: 16 OF 17 | | | | |
| DRAFT WHERE APPLICABLE MUST REMAIN WITHIN DIMENSIONS | | THIRD ANGLE PROJECTION | DRAWING | SERIES | | | | | |
| | | | A1-SIZE | 91999 | | | | | |

8 CIRCUIT

SEE CODE DESIGNATION TABLE FOR NUMBERING
FORMAT WHEN ADDING NEW PART NUMBE

| PART NO. (TIN) | TERM NO. (TIN) | MOLEX HOUSING NO. | COLOUR | UNBLOCKED POSITION KEYS | UNBLOCKED CODING KEYS | LATCH POSITION | CONFIGURATION (SEE NOTES) | TERMINAL VOID CKT | TERM NO. (SILVER) | PART NO. (SILVER) | P.C.B. POLARISATION OPTION | PACKAGING OPTION * | COLOUR STRIPE |
|-------------------|-------------------|----------------------|---------|-------------------------------|---|--------------------|------------------------------|----------------------|----------------------|----------------------|----------------------------------|-----------------------|------------------|
| 91999-4250 | 91703-0002 | 93002-6010 | NATURAL | 8b | 01c d10 04c d40 05c d50 06c d60 07c d70 08c d80 | 2/3 | | NONE | 91703-0003 | 91999-4999 | A | A | NONE |
| 91999-4251 | 91703-0002 | 93002-6011 | NATURAL | 1a 4b 5a 6b 7b 8a | d40 d60 07c d80 | 1/2 3/4 5/6 7/8 | | NONE | 91703-0003 | 91999-4998 | A | A | NONE |
| 91999-4252 | 91703-0002 | 93002-6012 | NATURAL | ALL | d20 03c d60 07c | 1/2 7/8 | | 2, 4 & 6 | 91703-0003 | 91999-4997 | A | A | NONE |
| 91999-4253 | 91703-0002 | 93002-6013 | NATURAL | 1a 2a 3a 4b 5a 5b 6b 7b 8b | 01c 03c d60 07c | 1/2 3/4 5/6 7/8 | | NONE | 91703-0003 | 91999-4996 | A | A | NONE |
| 91999-4254 | 91703-0002 | 93002-6012 | NATURAL | ALL | d20 03c d60 07c | 1/2 7/8 | | NONE | 91703-0003 | 91999-4995 | A | A | NONE |

NOTES:

* SEE SHEET 1 NOTE 4

| | | | | | | | | | | | |
|---|--------|--|---------|--------|--|--|--|--|--|--|--|
| THIS DRAWING CONTAINS INFORMATION THAT IS PROPRIETARY TO MOLEX ELECTRONIC TECHNOLOGIES, LLC AND SHOULD NOT BE USED WITHOUT WRITTEN PERMISSION | | | | | | | | | | | |
| DIMENSION UNITS | SCALE | CURRENT REV DESC: | | | | | | | | | |
| mm | 1:1 | <p>molex</p> <p>RAST 5 VERT HDR PA 66 HOUSING</p> <p>PRODUCT CUSTOMER DRAWING</p> <p>DOCUMENT NUMBER: 919990001 DOC TYPE: PSD DOC PART: 000 REVISION: L4</p> <p>MATERIAL NUMBER: SEE SHEETS 2-18 CUSTOMER: GENERAL MARKET SHEET NUMBER: 17 OF 17</p> | | | | | | | | | |
| GENERAL TOLERANCES (UNLESS SPECIFIED) | | | | | | | | | | | |
| ANGULAR TOL | ± 2.0° | | | | | | | | | | |
| 4 PLACES | ± | | | | | | | | | | |
| 3 PLACES | ± | | | | | | | | | | |
| 2 PLACES | ± 0.1 | | | | | | | | | | |
| 1 PLACE | ± 0.2 | | | | | | | | | | |
| 0 PLACES | ± | | | | | | | | | | |
| DRAFT WHERE APPLICABLE MUST REMAIN WITHIN DIMENSIONS | | THIRD ANGLE PROJECTION | DRAWING | SERIES | <p>EC NO: 746008</p> <p>DRWN: RAHULH3 2023/04/10</p> <p>CHK'D: RAHULH3 2023/04/14</p> <p>APPR: MRAMAKRISHNA 2023/04/14</p> <p>INITIAL REVISION:</p> <p>DRWN: AKABADI 2017/09/15</p> <p>APPR: BRUTTLE 2017/11/10</p> | | | | | | |
| | | | A1-SIZE | 91999 | | | | | | | |