

REVISIONS				
P	LTN	DESCRIPTION	DATE	APPV
A		NEW RELEASE PER PCN E-21-003453	26NOV2021	MK 1G

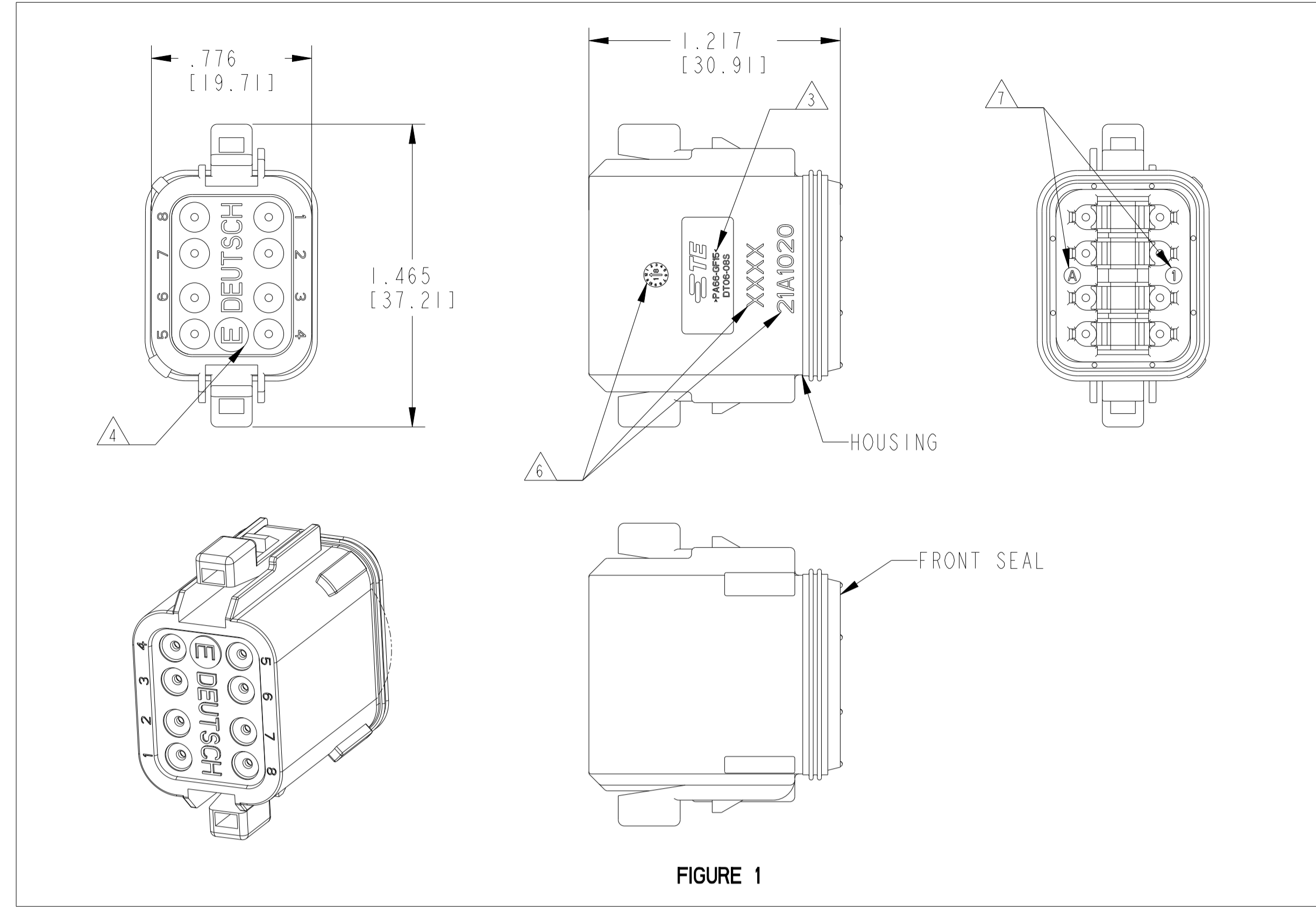


FIGURE 1

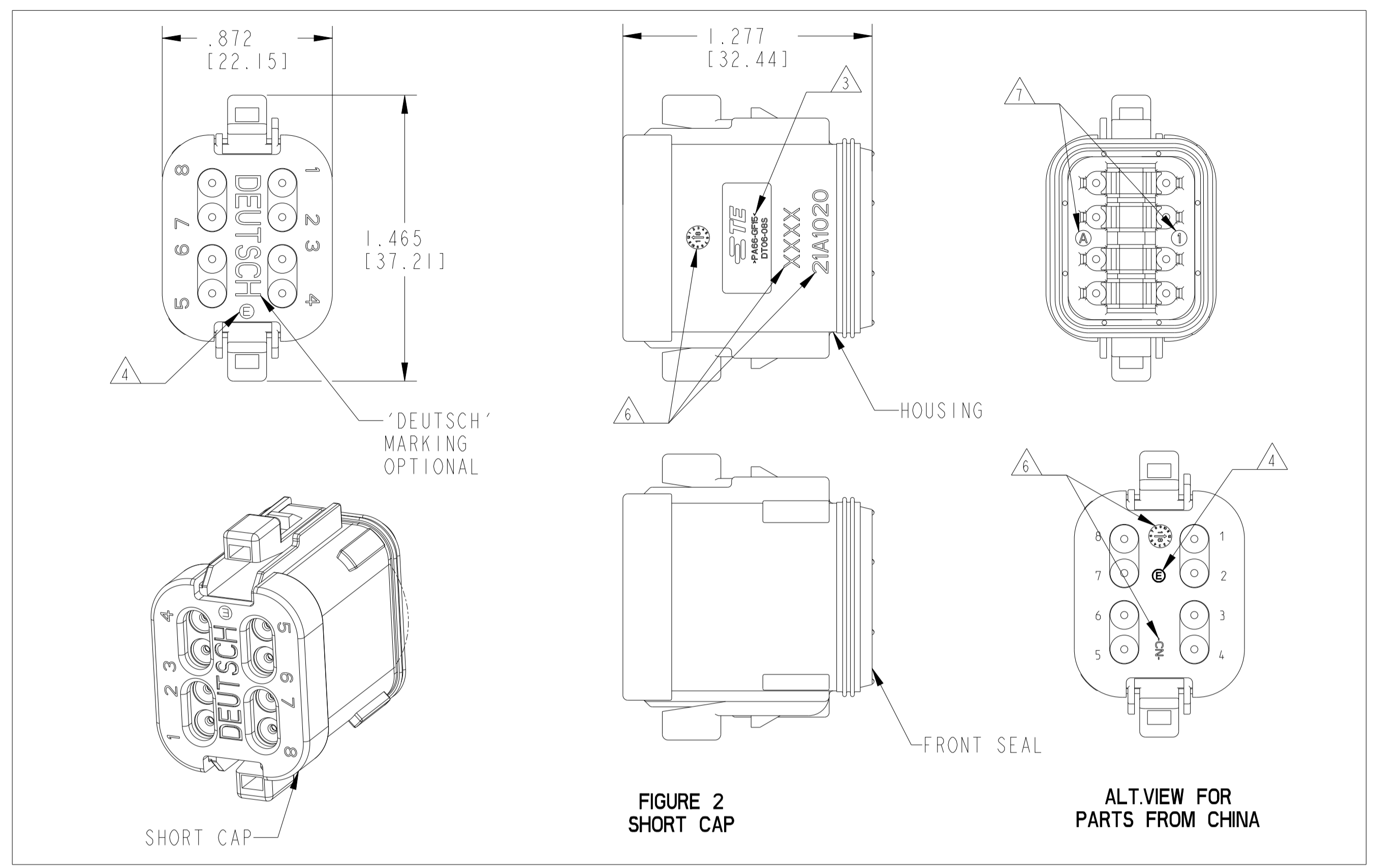


FIGURE 2 SHORT CAP

ALT.VIEW FOR PARTS FROM CHINA

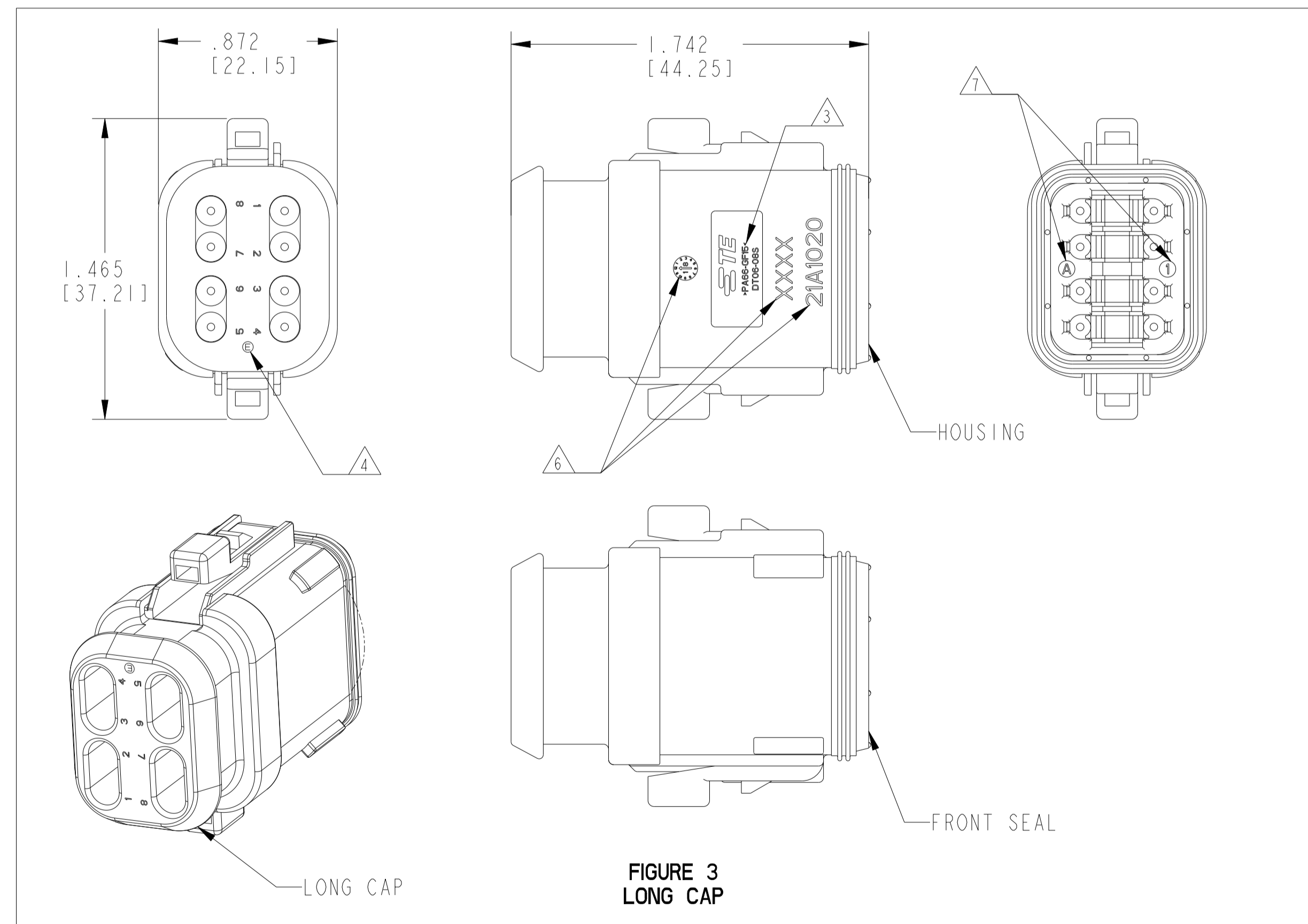


FIGURE 3 LONG CAP

TE INTERNAL PART NUMBER	DEUTSCH PART NUMBER	PN REV	COLOR	STANDARD SEAL	EXTRA THIN SEAL E-SEAL	BLOCKED SEAL	SHORT CAP	LONG CAP	FIGURE
DT06-08SX	DT06-08SX	B	ALL	X					1
DT06-08SX-C015	DT06-08SX-C015	G	ALL		X				1
DT06-08SX-C017	DT06-08SX-C017	C	ALL			X	X		2
DT06-08SX-CE01	DT06-08SX-CE01	D	ALL		X		X		2
DT06-08SA-CE02	DT06-08SA-CE02	A	BLACK		X				1
DT06-08SA-CE03	DT06-08SA-CE03	A	BLACK		X		X		2
DT06-08SA-CE04	DT06-08SA-CE04	B	GRAY		X			X	3
DT06-08SX-CE05	DT06-08SX-CE05	B	ALL		X		X		2
DT06-08SX-CE06	DT06-08SX-CE06	C	ALL		X				1
DT06-08SA-CE10	DT06-08SA-CE10	B	BLACK		X				1
DT06-08SA-CE11	DT06-08SA-CE11	B	BLACK		X		X		2
DT06-08SA-CE12	DT06-08SA-CE12	B	BLACK		X			X	3
DT06-08SX-CE13	DT06-08SX-CE13	B	ALL		X			X	3
DT06-08SX-E003	DT06-08SX-E003	B	ALL	X			X		2
DT06-08SA-E004	DT06-08SA-E004	A	BLACK	X					1
DT06-08SA-E005	DT06-08SA-E005	B	BLACK	X			X		2
DT06-08SA-E008	DT06-08SA-E008	B	GRAY	X				X	3
DT06-08SX-EP04	DT06-08SX-EP04	C	ALL	X			X		2
DT06-08SX-EP06	DT06-08SX-EP06	B	ALL	X			X		2
DT06-08SA-EP07	DT06-08SA-EP07	A	BLACK	X					1
DT06-08SA-EP08	DT06-08SA-EP08	B	BLACK	X			X		2
DT06-08SA-EPI1	DT06-08SA-EPI1	A	BLACK	X				X	3
DT06-08SX-P004	DT06-08SX-P004	C	ALL	X					1
DT06-08SX-P012	DT06-08SX-P012	A	ALL	X					1

4 "E" IDENTIFIES E-SEAL, LOCATED APPROX. AS SHOWN.

3 MATERIAL: HOUSING: PA66 GF15. SEE TABLE FOR COLOR
 SHORT, LONG CAP: PA66 GF15, SEE TABLE FOR COLOR
 GROMMET: E-SEAL VMO (BURNT RED)
 N-SEAL VMO (RED-ORANGE)
 BLOCKED VMO (RED-ORANGE)
 FRONT SEAL: VMO (RED-ORANGE),

2. THIS PLUG MATES WITH DT04-8PX-XXXX RECEPTACLE.
 (XXXX = ALL MODIFICATION)

1. SECONDARY WEDGE LOCK SOLD SEPARATELY: W8S-XXXX.
 (XXXX = ALL MODIFICATIONS)
 W8S OR W8S-P012 MAY BE USED WITH THESE PLUGS.
 W8S-P012 IS RECOMMENDED.

NOTE: UNLESS OTHERWISE SPECIFIED

6 MARKING FOR PARTS PRODUCED IN CHINA:

-XXXX IDENTIFIES THE MODIFICATION NUMBER, IF APPLICABLE. EXAMPLE: "E003" FOR DT06-08SX-E003, OR BLANK FOR DT06-08SX

-DATE CODE: IDENTIFIES THE YEAR, MONTH, DAY AND HOUR OF ASSEMBLY.
 YEAR: FIRST AND SECOND DIGITS. (17 = 2017)
 MONTH: THIRD DIGIT, EXCLUDING 1. A = JAN, B = FEB, C = MARCH... (K = OCTOBER)
 DAY: FOURTH AND FIFTH DIGITS (14 = 14th DAY)
 HOUR: SIXTH AND SEVENTH DIGITS (11 = 11AM)

-DIAL DATE CODE LOCATED ON HOUSING AND/OR CAP.
 -CN LOCATED ON HOUSING AND/OR CAP.

5. FOR CONTACTS AND WIRE PERFORMANCE AND APPLICATION CHARACTERISTICS SEE CUSTOMER DRAWING 0425-015-0000.

7 MARKING FOR PARTS PRODUCED IN US:

-DATE CODE:
 YEAR TO BE LAST NUMERICAL DIGIT,
 EX: 1=2021
 MONTH USES SEQUENTIAL ALPHA CHARACTERS,
 EX: A=JANUARY

CONTACT SIZE	WIRE RANGE	INSULATION OD SEALING RANGE	SEAL IDENTIFICATION
16	14-20 AWG [2.5-0.5 mm ²]	.088-.145 [2.23-3.68] .053-.120 [1.35-3.05]	STANDARD SEAL EXTRA THIN SEAL E-SEAL

THIS DRAWING IS A CONTROLLED DOCUMENT.

DIMENSIONS: 1 IN(mm)

TOLERANCES UNLESS OTHERWISE SPECIFIED:
 0 PLC ±
 1 PLC ±
 2 PLC ±
 3 PLC ±.025(0.64)
 4 PLC ±
 ANGLES 40°30'00"

MATERIAL

APPROVED: R. MESSENGER
 DATE: 26NOV2021
 NAME: 8 WAY PLUG, STANDARD SEAL, EXTRA THIN SEAL, SHORT AND LONG CAP DT SERIES
 SIZE: 4AFU8
 CAGE CODE: 114-151009
 DRAWING NO: DT06-08SX-XXXX
 RESTRICTED TO: A

SCALE: 2:1 SHEET 1 OF 3 REV A

REVISIONS				
P	LTN	DESCRIPTION	DATE	APVD
-		SEE SHEET 1	-	-

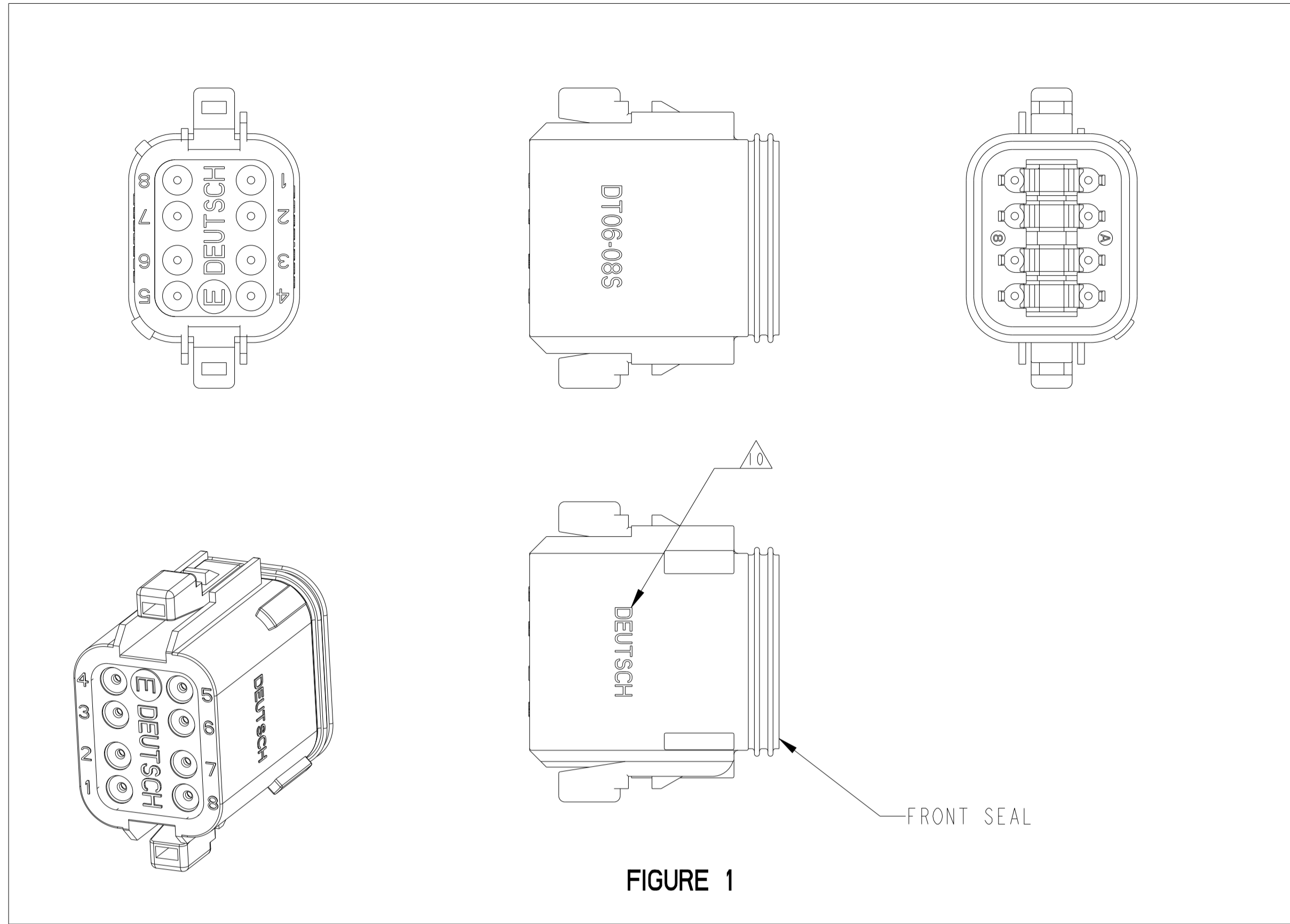


FIGURE 1

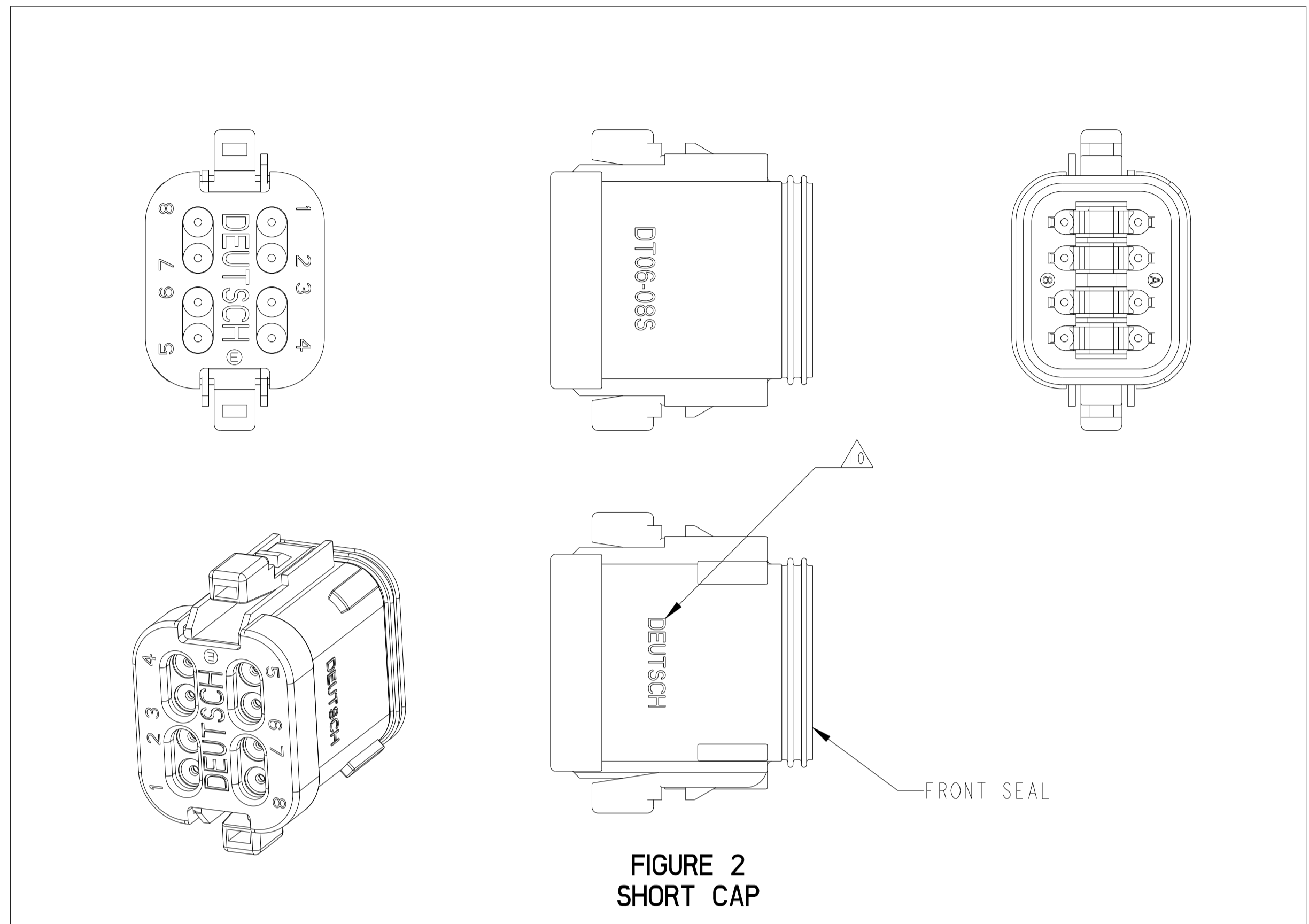


FIGURE 2
SHORT CAP

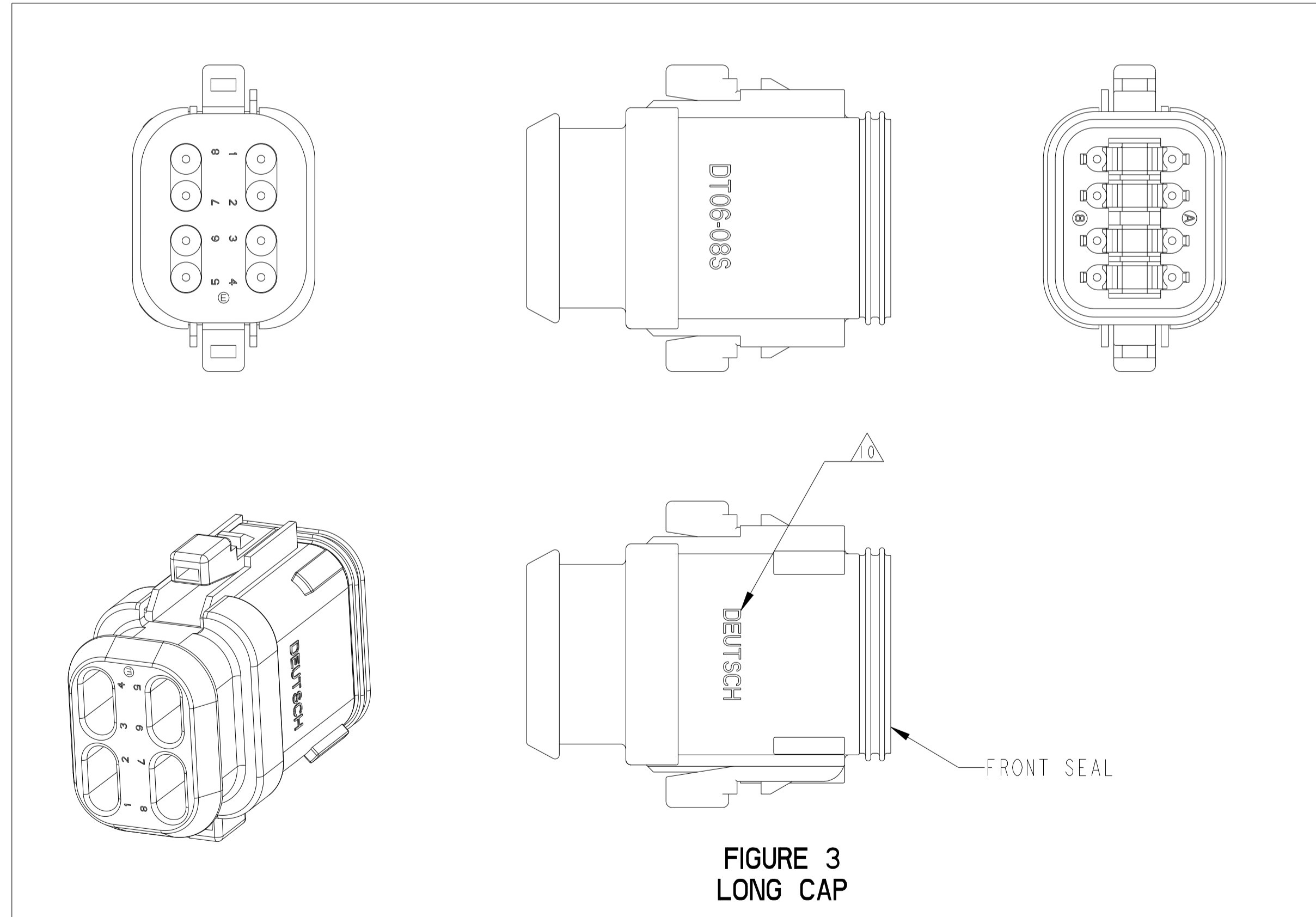


FIGURE 3
LONG CAP

AFFECTED PART NUMBERS	PN REV	COLOR	STANDARD SEAL	EXTRA THIN SEAL E-SEAL	BLOCKED SEAL	SHORT CAP	LONG CAP	FIGURE
DT06-08SX	A	ALL	X					1
DT06-08SX-C015	F	ALL		X				1
DT06-08SX-C017	B	ALL			X	X		2
DT06-08SX-CE01	C	ALL		X		X		2
DT06-08SA-CE02	-	BLACK		X				1
DT06-08SA-CE03	-	BLACK		X		X		2
DT06-08SA-CE04	A	GRAY		X			X	3
DT06-08SX-E003	A	ALL	X			X		2
DT06-08SA-E004	-	BLACK	X					1
DT06-08SA-E005	A	BLACK	X			X		2
DT06-08SA-E008	A	GRAY	X				X	3
DT06-08SX-EP04	B	ALL	X			X		2
DT06-08SX-P004	B	ALL	X					1

- 10 PARTS IN THE STANDARD TYPE CONFIGURATION WILL HAVE 'DEUTSCH' ID TEXT ON THE HOUSING.
- 9. SECONDARY WEDGE LOCK SOLD SEPARATELY: W8S. W8S MUST BE USED WITH THE STANDARD TYPE PLUGS.
- 8 THE AFFECTED PARTS NUMBERS LISTED ARE CHANGING FROM STANDARD TYPE SEAL (SHEET 2) TO RETENTION TYPE SEAL (SHEET 1). PARTS WILL BE SUPPLIED FROM THE NORTH AMERICA REGION IN THE STANDARD TYPE CONFIGURATION UNTIL THE STANDARD TYPE TOOLING REACHES ITS END OF LIFE, PARTS PRODUCED IN CHINA WILL BE RETENTION TYPE ONLY.

THIS DRAWING IS A CONTROLLED DOCUMENT.

DIMENSIONS: IN (mm)	TOLERANCES UNLESS OTHERWISE SPECIFIED: 0 PLC ± 1 PLC ± 2 PLC ± 3 PLC ±0.25(0.64) 4 PLC ± ANGLES ±0°30'00"	FINISH	OWN: R. MUKESH 26NOV2021 CHK: R. MESSENGER 26NOV2021 APVD: J. GRANTCHAROVA 28NOV2021 PRODUCT SPEC: 108-151009 APPLICATION SPEC: 114-151009 WEIGHT: -	NAME: 8 WAY PLUG, STANDARD SEAL EXTRA THIN SEAL, SHORT AND LONG CAP DT SERIES SIZE: A 4AFU8 CAGE CODE: DT06-08SX-XXXX DRAWING NO: 114-151009 RESTRICTED TO: -
------------------------	-----------------------------------------------------------------------------------------------------------------------------	--------	---------------------------------------------------------------------------------------------------------------------------------------------------------------------	-----------------------------------------------------------------------------------------------------------------------------------------------------------------------------

CUSTOMER DRAWING SCALE: 5:1 SHEET 2 OF 3 REV A

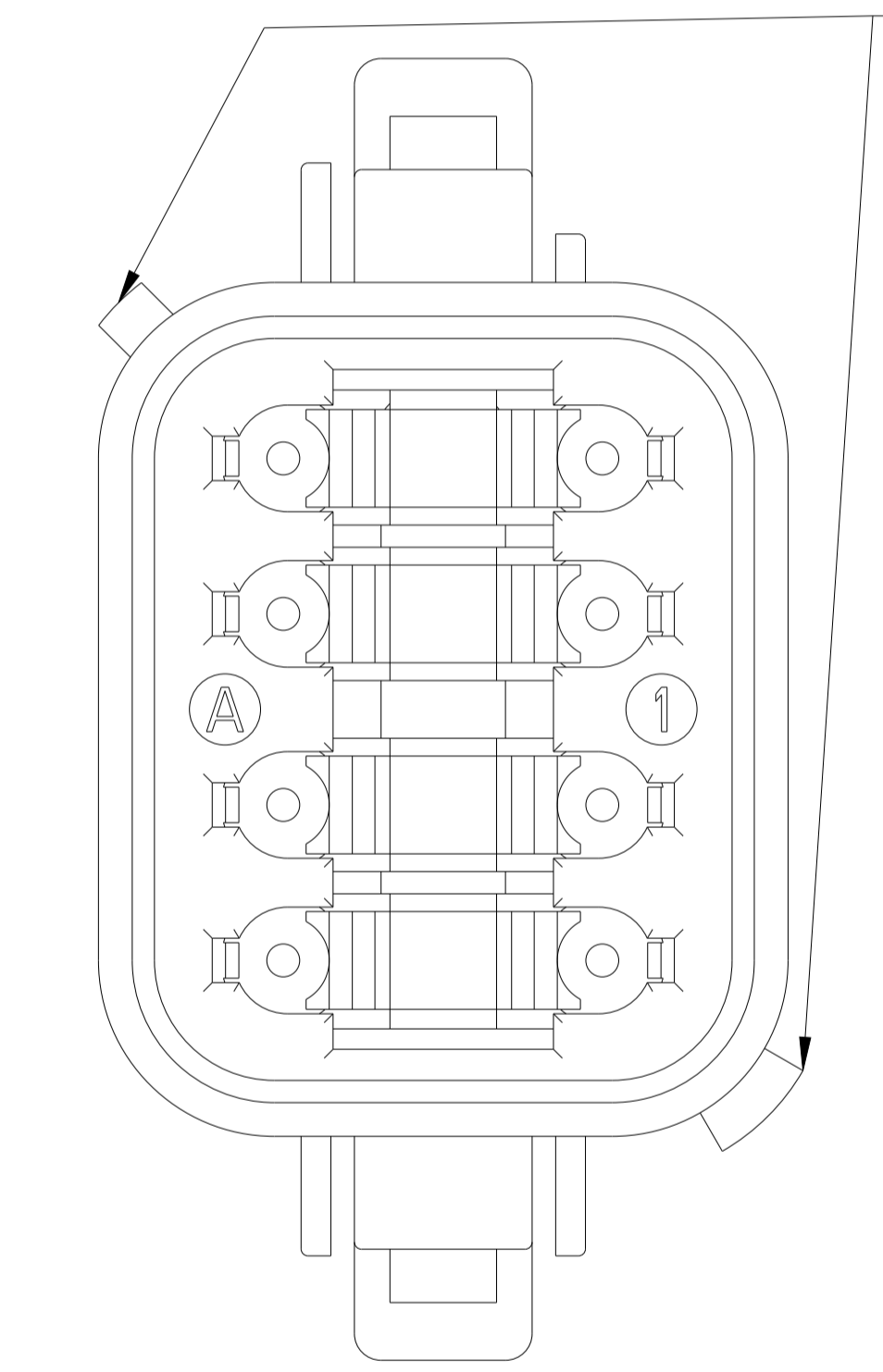
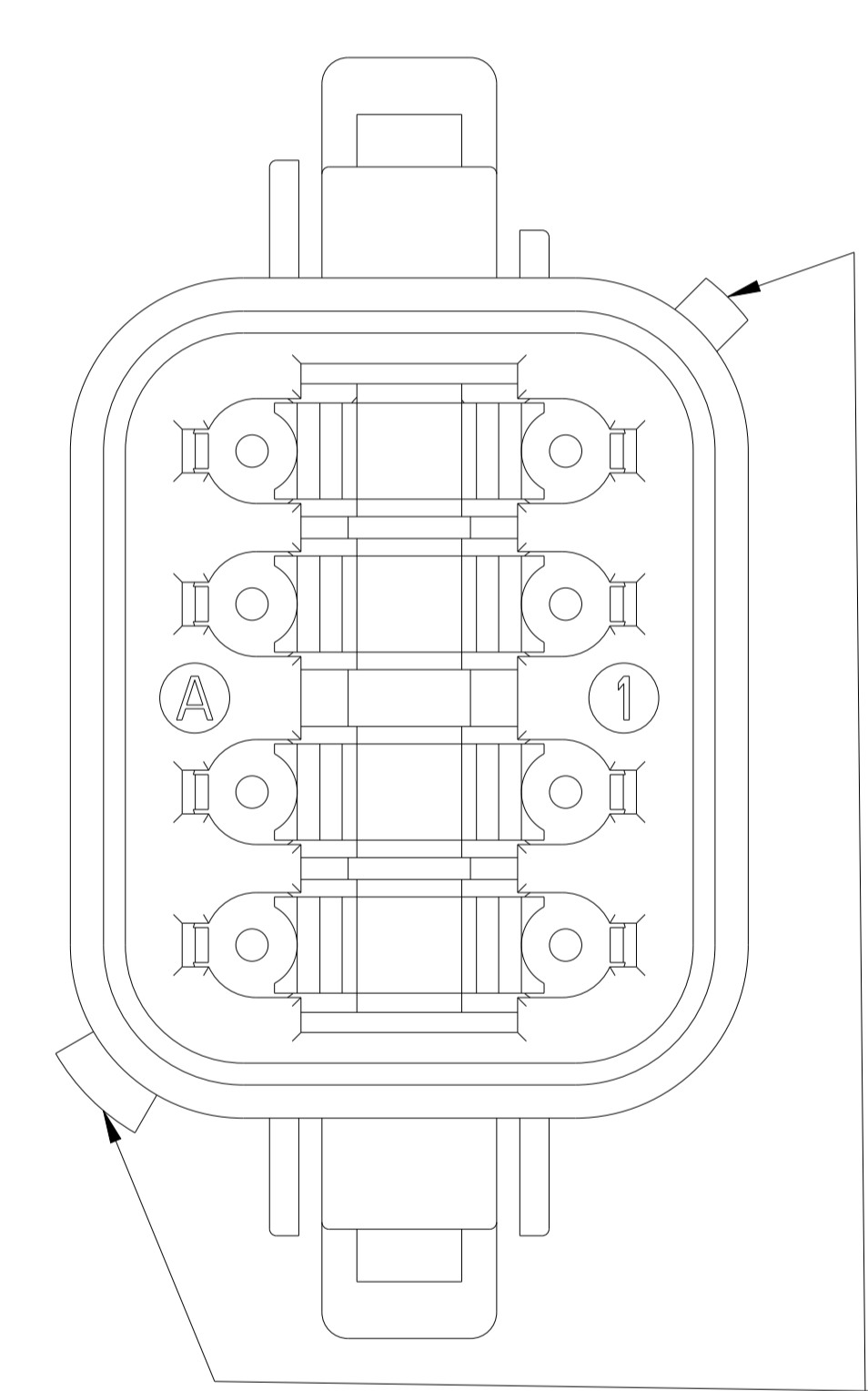
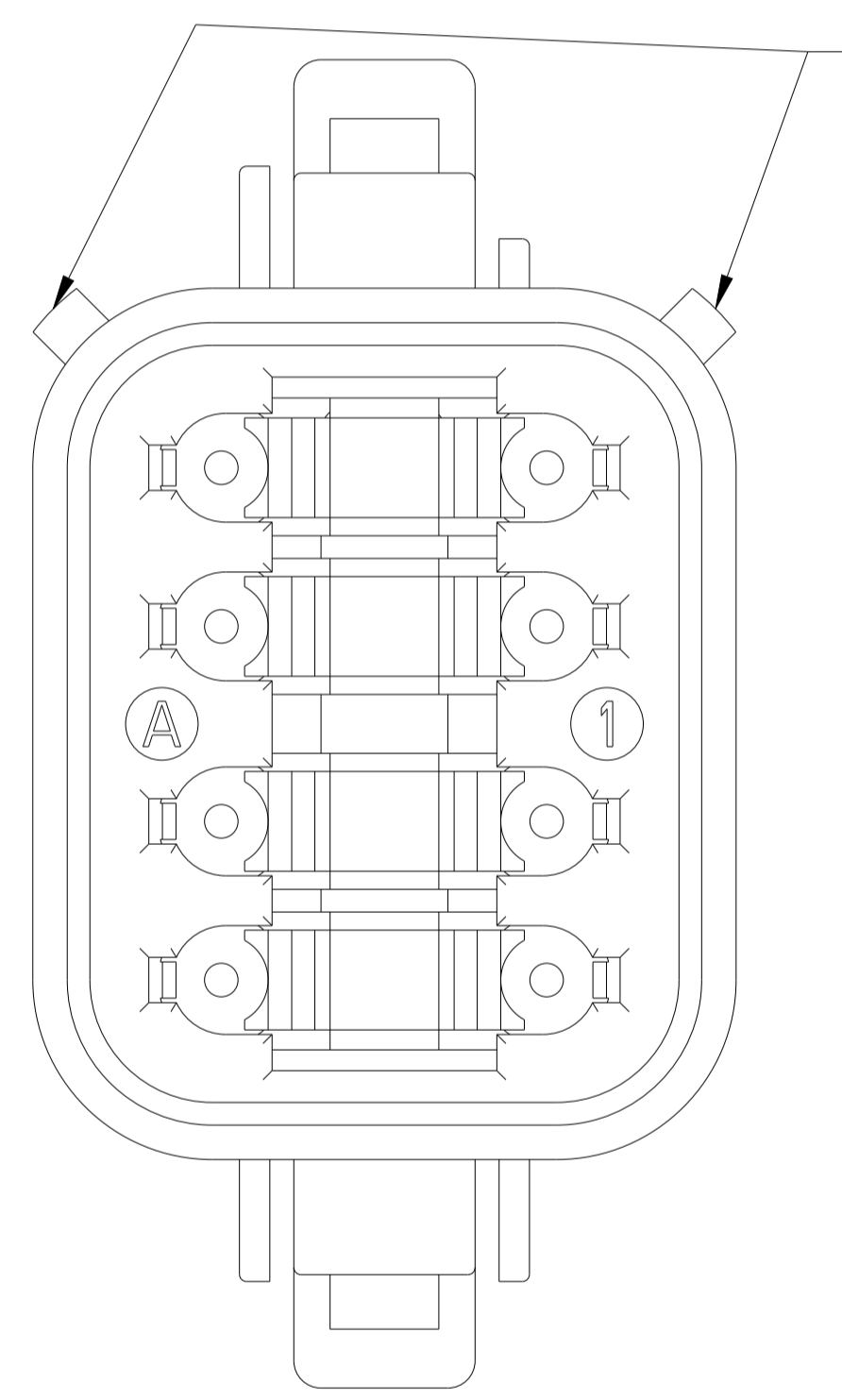
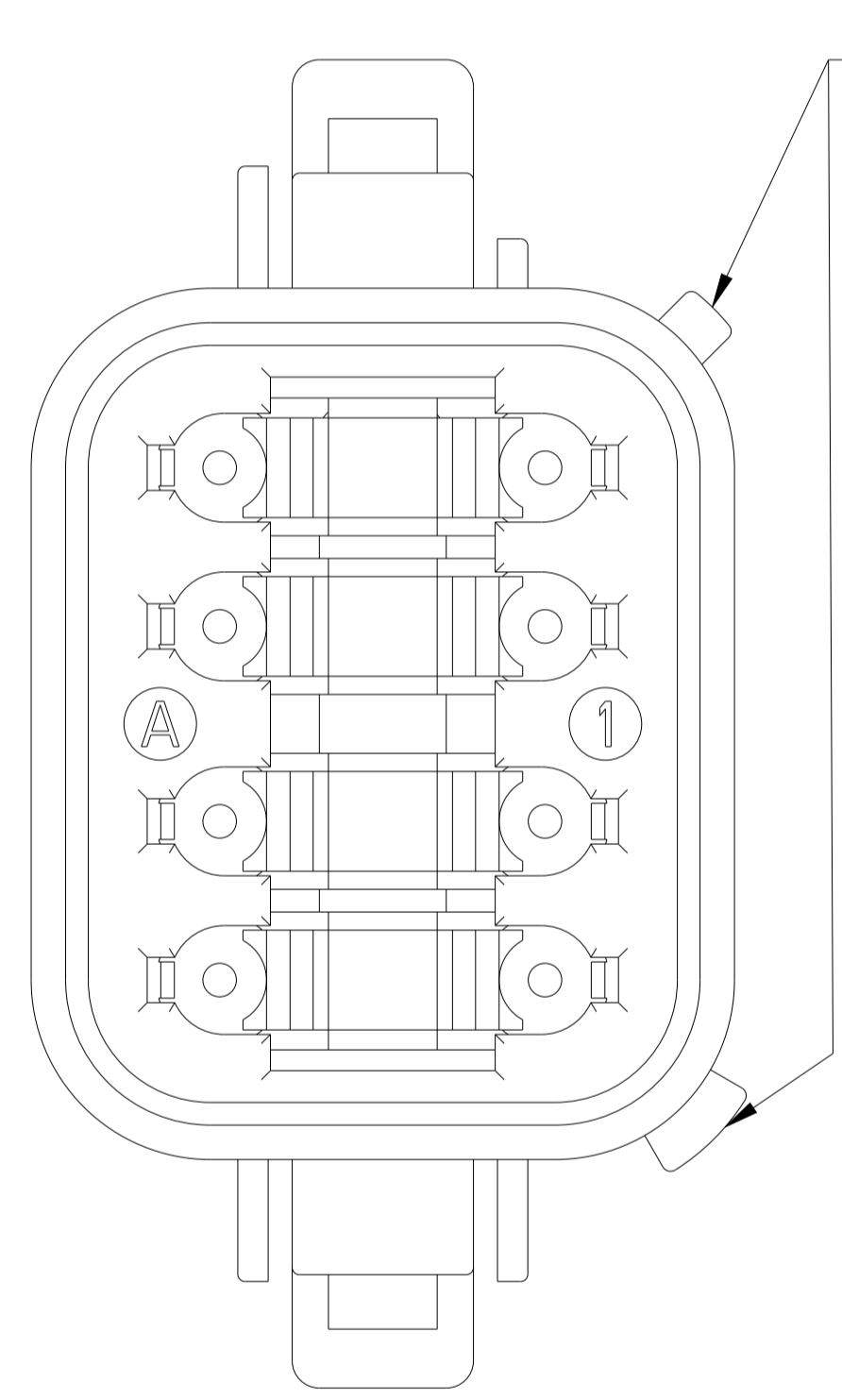
REVISIONS				
P	LTN	DESCRIPTION	DATE	APVD
-		SEE SHEET 1	-	-

DT06-08SA-XXXX
 KEY ARR. -A-
 COLOR: GRAY
 SEE PN TABLE FOR BLACK PNs

DT06-08SB-XXXX
 KEY ARR. -B-
 COLOR: BLACK

DT06-08SC-XXXX
 KEY ARR. -C-
 COLOR: GREEN

DT06-08SD-XXXX
 KEY ARR. -D-
 COLOR: BROWN



THIS DRAWING IS A CONTROLLED DOCUMENT.		DWN R. MUKESH 26NOV2021	
DIMENSIONS: IN[mm]		CHK R. MESSENGER 26NOV2021	
TOLERANCES UNLESS OTHERWISE SPECIFIED:		APVD I. GRANTCHAROVA 28NOV2021	NAME 8 WAY PLUG, STANDARD SEAL EXTRA THIN SEAL, SHORT AND LONG CAP DT SERIES
0 PLC ± 1 PLC ± 2 PLC ± 3 PLC ±0.25(0.64) 4 PLC ± ANGLES ±0°30'00"		PRODUCT SPEC 108-151009	
MATERIAL		APPLICATION SPEC 114-151009	RESTRICTED TO
FINISH		WEIGHT	SIZE CAGE CODE DRAWING NO A 4AFU8 ©=DT06-08SX-XXXX
CUSTOMER DRAWING		SCALE 5:1	SHEET 3 OF 3 REV A