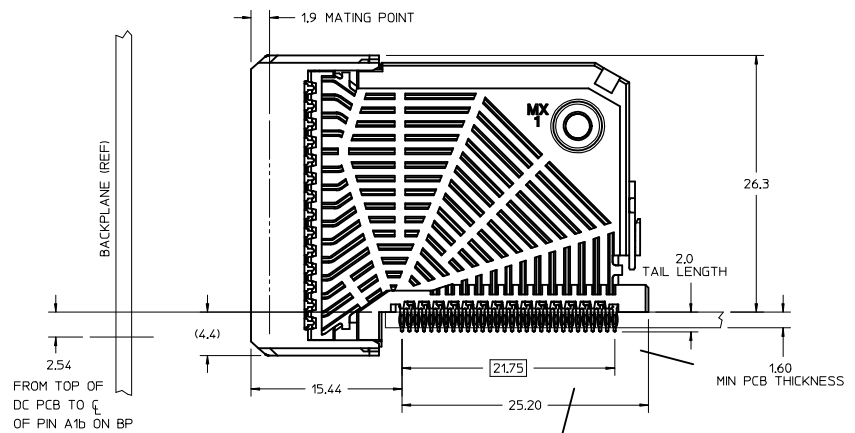
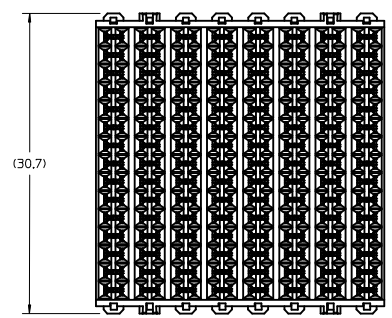
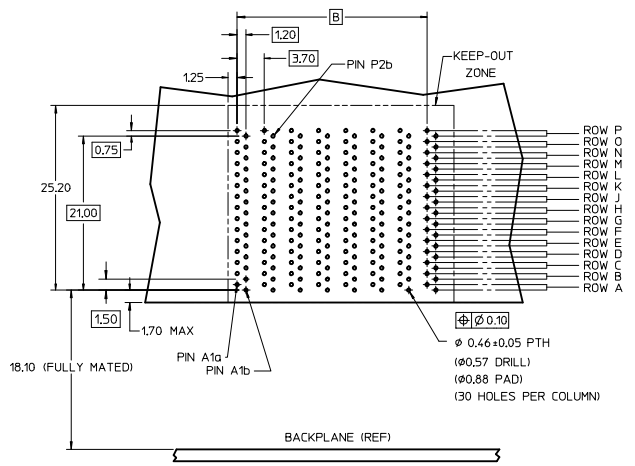
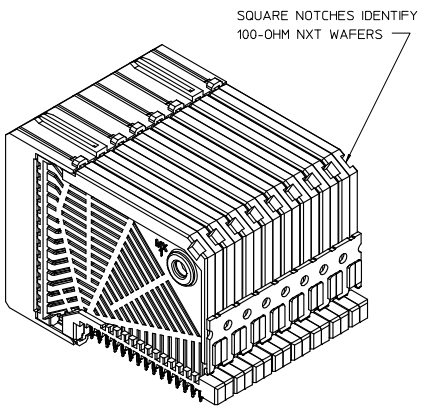
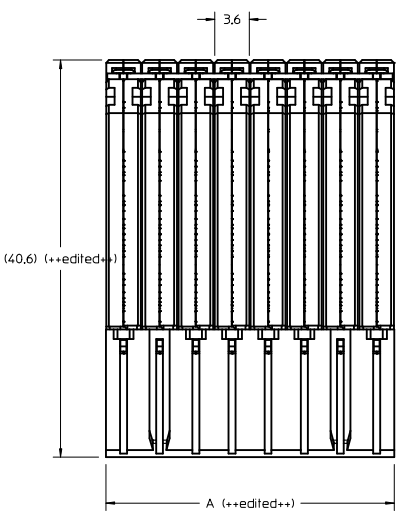


20 19 18 17 16 15 14 13 12 11 10 9 8 7 6 5 4 3 2 1

MATERIAL NUMBER	# OF COLUMNS	DIM. 'A' MAX	DIM. 'B'
171910-1008	8	29.60	25.90
171910-1009	9	33.30	29.60
171910-1010	10	37.00	33.30



171910-***0****

MODULE TYPE -- TAIL PLATING
 UNGUIDED -- TIN ONLY = 1

POLARIZATION KEY ORIENTATION
 0 = NO KEY

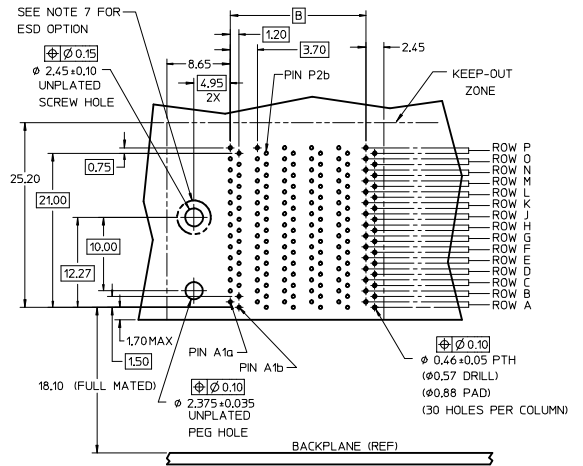
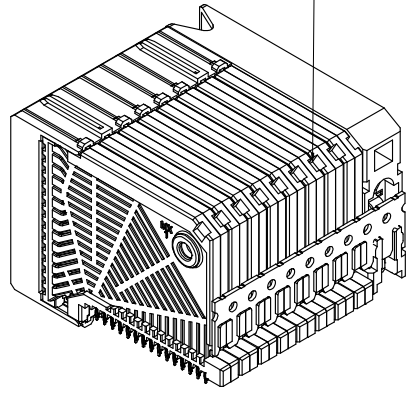
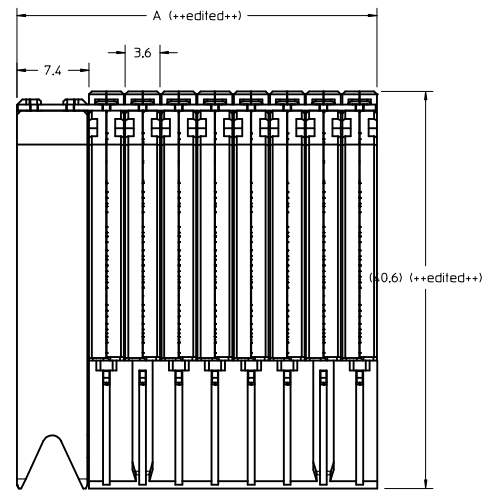
OF COLUMNS
 08 = 8 COL
 09 = 9 COL
 10 = 10 COL

- NOTES:
1. MATERIALS:
 HOUSING - LIQUID CRYSTAL POLYMER (LCP) GLASS-FILLED, UL94V-0.
 TERMINALS - HIGH PERFORMANCE COPPER ALLOY.
 2. FINISH:
 30 μ IN MIN GOLD IN CONTACT AREA, SELECTIVE TIN ON PCB TAILS, NICKEL OVERALL.
 3. REFER TO MOLEX PRODUCT SPEC PS-75710-999 FOR PERFORMANCE SPECIFICATIONS.
 4. PRODUCT IS PACKAGED PER PK-70873-608.
 5. THIS PART CONFORMS TO CLASS B REQUIREMENTS OF COSMETIC SPEC PS-45499-002.

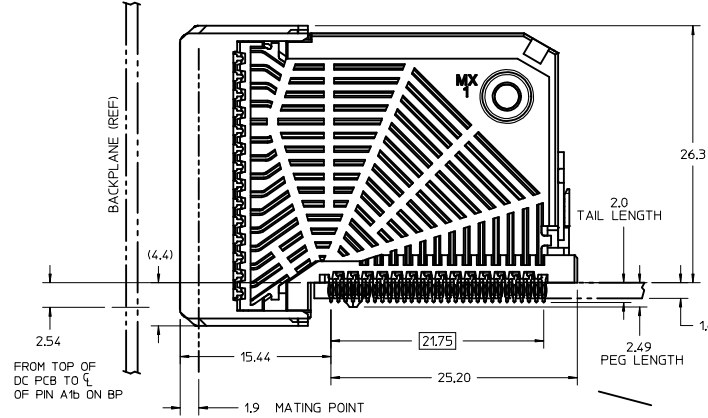
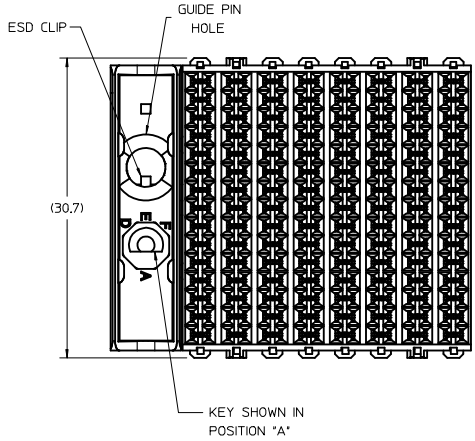
INITIAL RELEASE EC NO: UCP2013-2975 DRAWN: KHUGHES 2013/01/18 CHKD: CHYK APPR: B INGHAM DATE: 2013/03/01	QUALITY SYMBOLS $\nabla=0$ $\nabla=0$	GENERAL TOLERANCES (UNLESS SPECIFIED) <table border="1"> <thead> <tr> <th></th> <th>mm</th> <th>INCH</th> </tr> </thead> <tbody> <tr> <td>4 PLACES</td> <td>±0.10</td> <td>±---</td> </tr> <tr> <td>3 PLACES</td> <td>±0.15</td> <td>±---</td> </tr> <tr> <td>2 PLACES</td> <td>±0.20</td> <td>±---</td> </tr> <tr> <td>1 PLACE</td> <td>±0.25</td> <td>±---</td> </tr> </tbody> </table> ANGULAR ± 5°		mm	INCH	4 PLACES	±0.10	±---	3 PLACES	±0.15	±---	2 PLACES	±0.20	±---	1 PLACE	±0.25	±---	DIMENSION STYLE MM ONLY	SCALE 4:1	DESIGN UNITS METRIC	THIRD ANGLE PROJECTION
		mm	INCH																		
4 PLACES	±0.10	±---																			
3 PLACES	±0.15	±---																			
2 PLACES	±0.20	±---																			
1 PLACE	±0.25	±---																			
DRAWN BY KHUGHES DATE 2013/01/11 CHECKED BY JB INGHAM DATE 2014/01/14 APPROVED BY JB INGHAM DATE 2013/03/01	DRAFT WHERE APPLICABLE MUST REMAIN WITHIN DIMENSIONS	MATERIAL NO. SEE CHART	DOCUMENT NO. SD-171910-0001	SHEET NO. 1 OF 1	I-TRAC 15R HYBRID NXT 100 OHM OPEN SGNL MODULE SALES DRAWING MOLEX INCORPORATED																

19 18 17 16 15 14 13 12 11 10 9 8 7 6 5 4 3 2 1

MATERIAL NUMBER	# OF COLUMNS	DIM. 'A' MAX	DIM. 'B'
171910-3+08	8	37.00	25.90
171910-3+09	9	40.70	29.60
171910-3+10	10	44.40	33.30



(CONNECTOR SIDE)
DAUGHTERCARD HOLE PATTERN



171910-****

MODULE TYPE -- TAIL PLATING
GUIDE LEFT -- TIN ONLY - 3

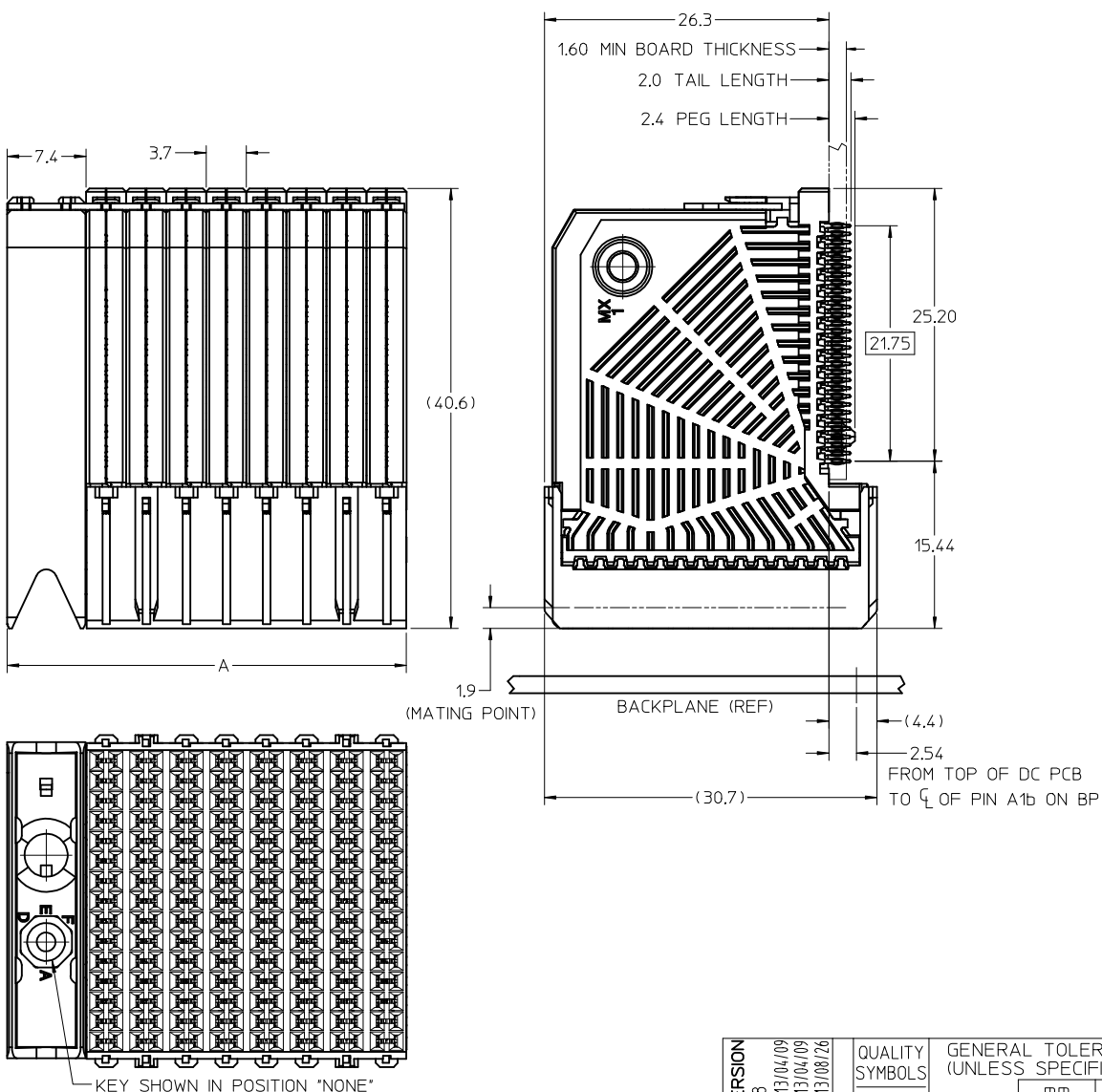
OF COLUMNS
06 = 6 COL
08 = 8 COL
09 = 9 COL
10 = 10 COL
56 = 6 COL W/ESD CLIP
58 = 8 COL W/ESD CLIP
59 = 9 COL W/ESD CLIP
50 = 10 COL W/ESD CLIP

POLARIZATION KEY ORIENTATION

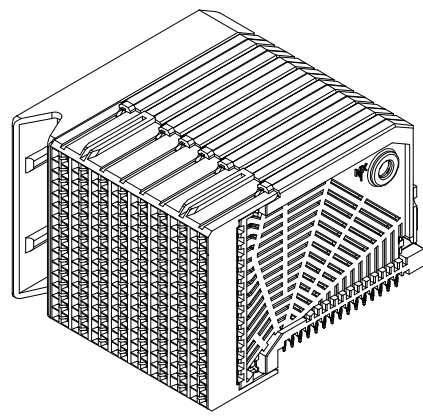
0 - NO KEY	5 - E
1 - A	6 - F
2 - B	7 - G
3 - C	8 - H
4 - D	

- NOTES:
- MATERIALS:
HOUSING - LIQUID CRYSTAL POLYMER (LCP) GLASS-FILLED, UL94V-0.
TERMINALS - HIGH PERFORMANCE COPPER ALLOY.
 - FINISH:
30 µm MIN GOLD IN CONTACT AREA. SELECTIVE TIN ON PCB TAILS. NICKEL OVERALL.
 - REFER TO MOLEX PRODUCT SPEC PS-75710-999 FOR PERFORMANCE SPECIFICATIONS.
 - PRODUCT IS PACKAGED PER PK-70873-608.
 - THIS PART CONFORMS TO CLASS B REQUIREMENTS OF COSMETIC SPEC PS-45499-002.
 - GUIDED PARTS TO BE SHIPPED WITH 2-32 TYPE AB SELF-TAPPING SCREW P/N 73726-0000.
 - FOR GROUNDED GUIDE MODULES USE DIA 2.45+/-0.10 (PTH), DIA 2.58 (DRILL) AND DIA 4.50 (PAD).

INITIAL RELEASE EC NO: UCP2013-2975 DRAWN: KHUGHES 2013/01/18 CHKD: CHKD APPR: JB INGHAM 2013/03/01 REV DESCRIPTION	QUALITY SYMBOLS	GENERAL TOLERANCES (UNLESS SPECIFIED)	DIMENSION STYLE	SCALE	DESIGN UNITS	THIRD ANGLE PROJECTION
	▽=0 ▽=0	4 PLACES ± mm ± INCH 3 PLACES ± --- ± --- 2 PLACES ± 0.10 ± --- 1 PLACE ± 0.2 ± --- ANGULAR ± 5 °	MM ONLY DRAWN BY DATE KHUGHES 2013/01/10 CHECKED BY DATE JB INGHAM 2014/01/14 APPROVED BY DATE JB INGHAM 2013/03/01	4:1	METRIC	I-TRAC 15R HYBRID NXT 100 OHM GL SIGNAL MODULE SALES DRAWING
DRAFT WHERE APPLICABLE MUST REMAIN WITHIN DIMENSIONS		MATERIAL NO. SEE CHART DOCUMENT NO. SD-171910-0002		MOLEX INCORPORATED		
		SIZE D THIS DRAWING CONTAINS INFORMATION THAT IS PROPRIETARY TO MOLEX INCORPORATED AND SHOULD NOT BE USED WITHOUT WRITTEN PERMISSION		SHEET NO. 1 OF 1		



- NOTES:
1. MATERIALS: HOUSING - LIQUID CRYSTAL POLYMER (LCP)
GLASS-FILLED, UL 94V-0
TERMINALS - HIGH PERFORMANCE COPPER ALLOY
 2. FINISH: SELECTIVE 10 MICROINCH GOLD (MAPS) OR 30 MICROINCH GOLD IN CONTACT AREA.
SELECTIVE MATTE TIN ON PCB TAILS,
NICKEL OVERALL.
 3. REFER TO MOLEX PRODUCT SPEC PS-75710-999 FOR PERFORMANCE SPECIFICATIONS.
 4. PRODUCT IS PACKAGED PER PK-70873-608.
 5. THIS PART CONFORMS TO CLASS B REQUIREMENTS OF COSMETIC SPEC PS-45499-002.
 6. GUIDED PARTS TO BE SHIPPED WITH 2-32 TYPE AB SELF-TAPPING SCREW P/N 73726-0000.
 7. FOR GROUNDED GUIDE MODULES USE DIA 2.45+/-0.10 (PTH), DIA 2.58 (DRILL), AND DIA 4.50 (PAD).
 8. MAPS (MOLEX ADVANCED PLATING SYSTEM).



LEAD FREE CONVERSION EEC NO: UCP2013-4288 DRW:RMH/PPLE 2013/04/09 CHKD:MM/LFE 2013/04/09 APPR:SM/ILLER 2013/08/26	QUALITY SYMBOLS ▽=0 ▽=0 ▽=0	GENERAL TOLERANCES (UNLESS SPECIFIED)		DIMENSION STYLE MM ONLY		SCALE 3:1	DESIGN UNITS METRIC	THIRD ANGLE PROJECTION		
		4 PLACES ± --- ± ---	DRAWN BY MCARRANZA	DATE 3/20/06	TITLE I-TRAC DAUGHTERCARD 15 ROW GUIDE LEFT SIGNAL MODULE					
		3 PLACES ± --- ± ---	CHECKED BY JLAURX	DATE 3/21/06	MATERIAL NO. SEE CHART					
		2 PLACES ± 0.13 ± ---	APPROVED BY JLAURX	DATE 3/21/06	DOCUMENT NO. SD-76040-002					
1 PLACE ± 0.25 ± ---	ANGULAR ±1/2°		DRAFT WHERE APPLICABLE MUST REMAIN WITHIN DIMENSIONS		SIZE C	THIS DRAWING CONTAINS INFORMATION THAT IS PROPRIETARY TO MOLEX. INCORPORATED AND SHOULD NOT BE USED WITHOUT WRITTEN PERMISSION				
0 PLACE ± ±	SHEET NO. 1 OF 2									

MATERIAL NUMBER	# OF COLUMNS	DIM. "A" MAX	DIM. "B"
76040-***8	8	37.00	25.90
76040-***9	9	40.70	29.60
76040-***0	10	44.40	33.30

76040-***

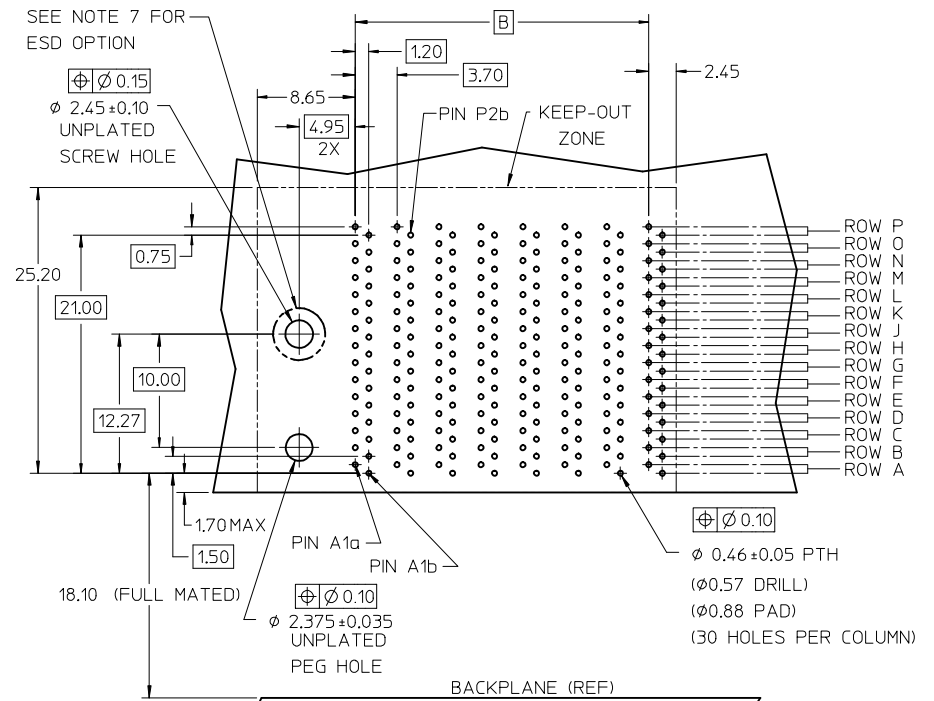
MODULE TYPE -- TAIL PLATING TYPE
 GUIDE LEFT -- MATTE TIN (FORMERLY TIN/LEAD) = 2
 GUIDE LEFT -- MATTE TIN = 3

POLARIZATION KEY ORIENTATION

- 0 = NO KEY
 1 = A 5 = E
 2 = B 6 = F
 3 = C 7 = G
 4 = D 8 = H

OF COLUMNS/PLATING

- 08 = 8 COL 30 GOLD
 09 = 9 COL 30 GOLD
 10 = 10 COL 30 GOLD
 58 = 8 COL W/ESD CLIP 30 GOLD
 59 = 9 COL W/ESD CLIP 30 GOLD
 50 = 10 COL W/ESD CLIP 30 GOLD
 48 = 8 COL 10 GOLD (MAPS)
 49 = 9 COL 10 GOLD (MAPS)
 40 = 10 COL 10 GOLD (MAPS)
 78 = 8 COL W/ESD CLIP 10 GOLD (MAPS)
 79 = 9 COL W/ESD CLIP 10 GOLD (MAPS)
 70 = 10 COL W/ESD CLIP 10 GOLD (MAPS)



DAUGHTERCARD HOLE PATTERN
(CONNECTOR SIDE)

SEE SHEET 1 EC NO: UCP2013-4288 DRAWN: WHIPPLE 2013/04/09 CHKD: WOLFE 2013/04/09 APPR: MILLER 2013/08/26	QUALITY SYMBOLS $\nabla = 0$ $\nabla = 0$ $\nabla = 0$	GENERAL TOLERANCES (UNLESS SPECIFIED) <table border="1"> <thead> <tr> <th></th> <th>mm</th> <th>INCH</th> </tr> </thead> <tbody> <tr> <td>4 PLACES</td> <td>± 0.13</td> <td>± 0.005</td> </tr> <tr> <td>3 PLACES</td> <td>± 0.25</td> <td>± 0.010</td> </tr> <tr> <td>2 PLACES</td> <td>± 0.38</td> <td>± 0.015</td> </tr> <tr> <td>1 PLACE</td> <td>± 0.51</td> <td>± 0.020</td> </tr> <tr> <td>0 PLACE</td> <td>± 0.64</td> <td>± 0.025</td> </tr> </tbody> </table>		mm	INCH	4 PLACES	± 0.13	± 0.005	3 PLACES	± 0.25	± 0.010	2 PLACES	± 0.38	± 0.015	1 PLACE	± 0.51	± 0.020	0 PLACE	± 0.64	± 0.025	DIMENSION STYLE MM ONLY DRAWN BY: MCARRANZA DATE: 3/20/06 CHECKED BY: JLAURX DATE: 3/21/06 APPROVED BY: JLAURX DATE: 3/21/06	SCALE: 2:1 DESIGN UNITS: METRIC THIRD ANGLE PROJECTION	TITLE: I-TRAC DAUGHTERCARD 15 ROW GUIDE LEFT SIGNAL MODULE
		mm	INCH																				
	4 PLACES	± 0.13	± 0.005																				
	3 PLACES	± 0.25	± 0.010																				
2 PLACES	± 0.38	± 0.015																					
1 PLACE	± 0.51	± 0.020																					
0 PLACE	± 0.64	± 0.025																					
MATERIAL NO. SEE CHART	DOCUMENT NO. SD-76040-002	SHEET NO. 2 OF 2																					
DRAFT WHERE APPLICABLE MUST REMAIN WITHIN DIMENSIONS			THIS DRAWING CONTAINS INFORMATION THAT IS PROPRIETARY TO MOLEX INCORPORATED AND SHOULD NOT BE USED WITHOUT WRITTEN PERMISSION																				
MOLEX																							