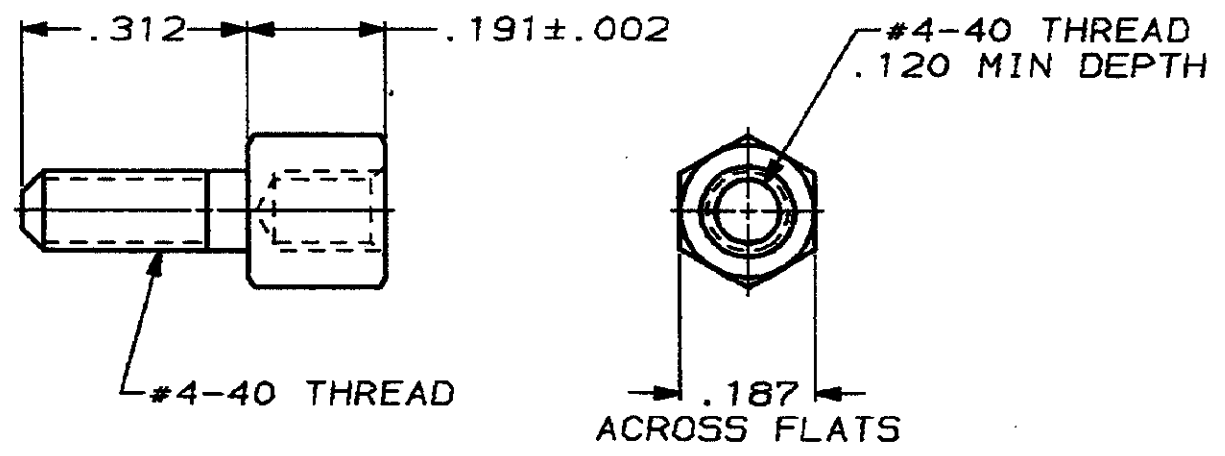


THIS DRAWING IS UNPUBLISHED. RELEASED FOR PUBLICATION .19
 © COPYRIGHT 19 BY AMP INCORPORATED. ALL INTERNATIONAL RIGHTS RESERVED.

LOC	DIST	P	F	REVISIONS				
				ZONE	LTR	DESCRIPTION	DATE	APPD
BD	39			B	B	REV & REDRAWN ECNS-2261 & 2262	-	-



- ① ZINC PLATED PER ASTM B633, TYPE II, CLASS SC1, YELLOW CHROMATE.
- ② ZINC PLATED PER ASTM B633, TYPE III, CLASS SC1, CLEAR CHROMATE.

②	205818-3
①	205818-2
FINISH	PART NO

DO NOT SCALE PRINT. UNLESS SPECIFIED DIMENSIONS IN INCHES TOLERANCES ON: 2 PLC DEC ± - 3 PLC DEC ± .005 ANGLES ± -	DR <i>R. Whyne</i> 5-23-88	AMP AMP INCORPORATED Harrisburg, Pa. 17105	
	CHE <i>W. Wilson</i> 5-23-88		
MATERIAL COLD ROLLED STEEL PER ASTM A108	APPD <i>R. Whyne</i> 5-24-88	NAME SCREWLOCK, FEMALE, AMPLIMITE®	
FINISH SEE TABLE	APPD <i>V. K. MAY</i> 5/24/88	SIZE B	FSCM NO 00779
	PRODUCT SPEC -	DRAWING NO 205818	
	APPLICATION SPEC -	SCALE 4:1	SHEET 1 OF 1
	WEIGHT -		