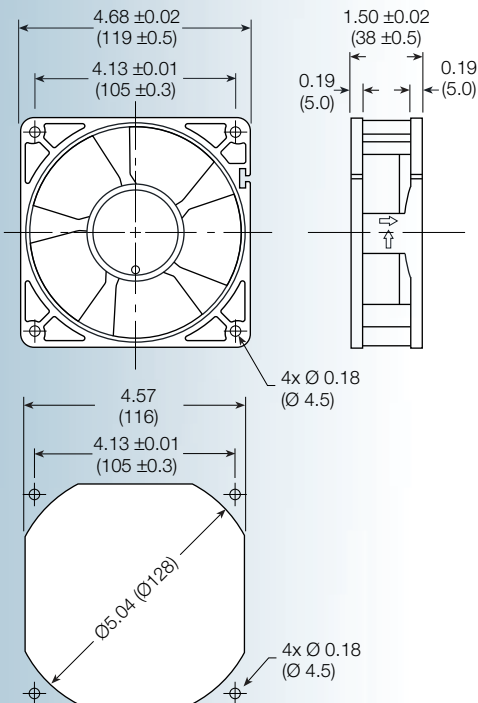
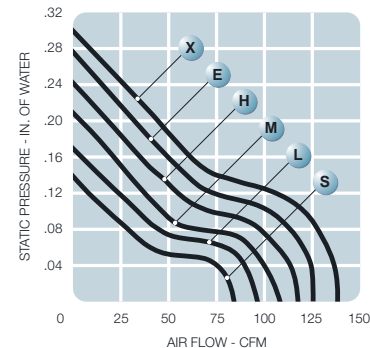


## F1238-S series



**Size: (119 x 119 x 38 mm)  
4.69 x 4.69 x 1.5 inches**

- Broad range of models to meet air flow and sound noise targets
- Electronic locked rotor sensor, auto-restart, reverse polarity protection
- 5, 12, 24 or 48 VDC
- Lead wires or terminal version; reinforced flanged frame; ball bearings
- Options include tachometer or locked rotor output signal



Model No.	Rated Voltage V	Current mA				Revolution RPM	Air Volume CFM	Maximum Static Pressure (in H <sub>2</sub> O)	Sound Noise dBA	Weight oz
		5	12	24	48					
<b>F1238S-S</b>	5/12/24/48	520	180	90	60	1,800	83	0.14	34	8.58
<b>F1238L-S</b>	5/12/24/48	800	290	145	80	2,050	94	0.17	36	8.58
<b>F1238M-S</b>	12/24/48	-	360	180	120	2,300	105	0.21	38	8.58
<b>F1238H-S</b>	12/24/48	-	440	220	140	2,500	115	0.25	41	8.58
<b>F1238E-S</b>	12/24/48	-	700	350	210	2,800	126	0.28	43	8.58
<b>F1238X-S</b>	12/24	-	950	500	-	3,100	140	0.30	45	8.58

\* Available with quick disconnect terminal block.