

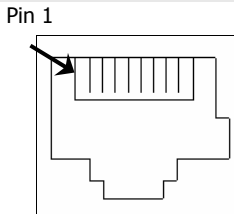
Cable Adapters

Digi CM, RJ-45 to DB-9 Modem Adapter

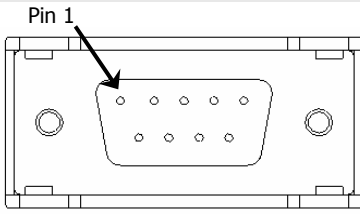
For use with Digi CM 8, 16, 32, 48 – All Models

Digi Cable Adapters allow you to connect your serial devices using commercially available CAT 5 cable of any length. Simply plug standard CAT 5 cable into your Digi Product, connect a Cable Adapter to the other end and plug the adapter into your device.

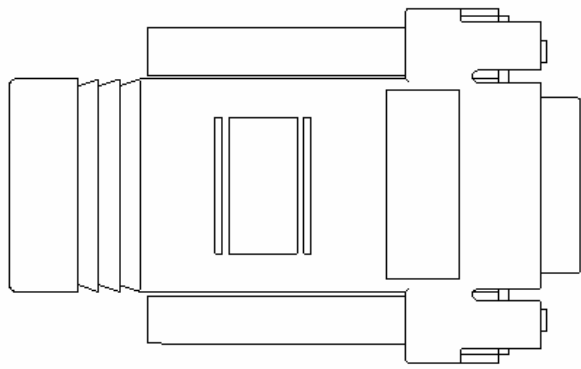
From RJ-45	Signal	Direction	Signal	To DB-9
1	CTS	←	CTS	8
2	DSR	←	DSR	6
3	RxD	←	RxD	2
4	Ground	↔	SG	5
5	DCD	←	DCD	1
6	TxD	→	TxD	3
7	DTR	→	DTR	4
8	RTS	→	RTS	7



Female RJ-45
8-pin



Male DB-9



Cable Adapter not to scale

* Arrows indicate which direction the signal is flowing

Notes:

- All RJ45 cable adapters are 8-pin.

Digi Part Number 76000702 Digi CM DB9M Modem Adapter (8-pack)