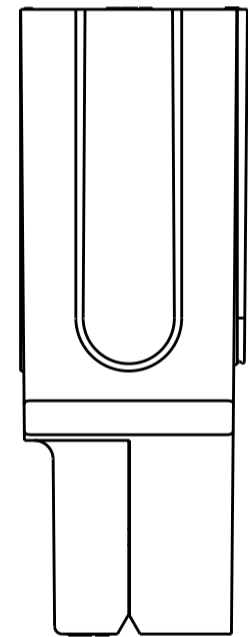
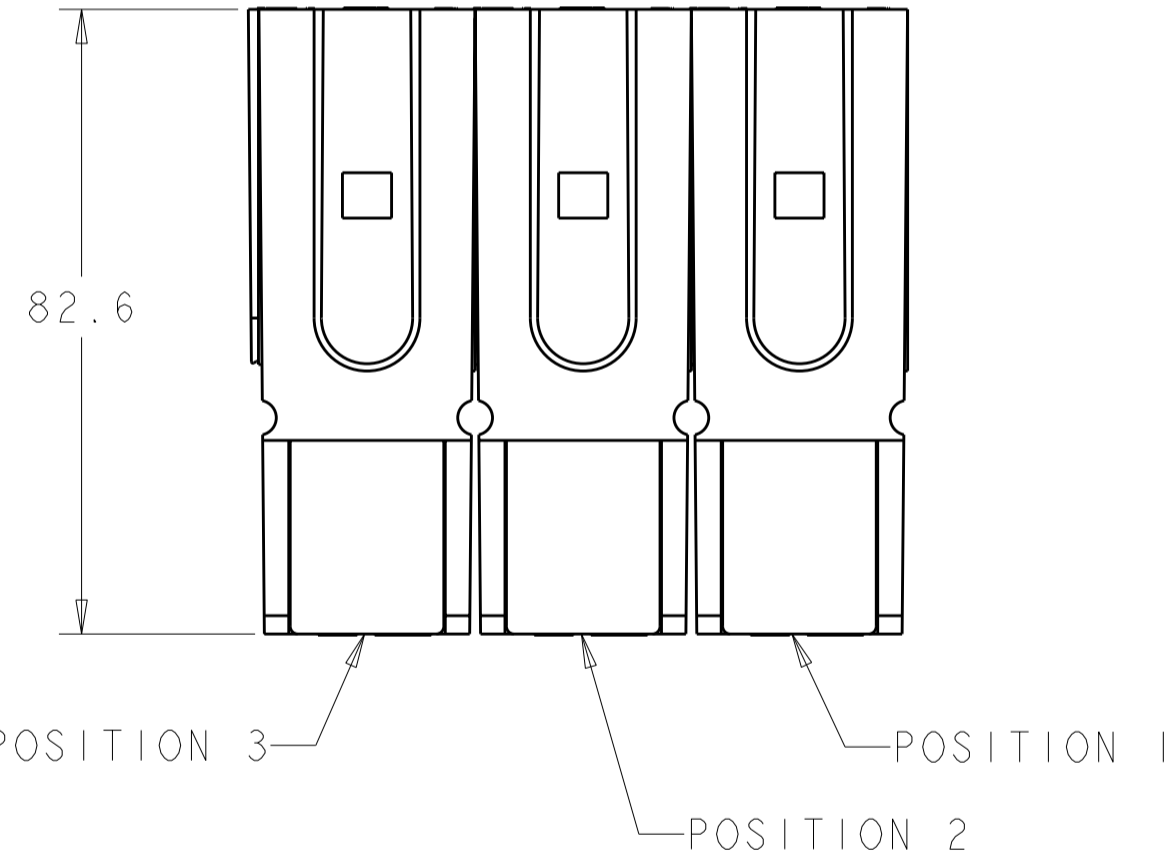
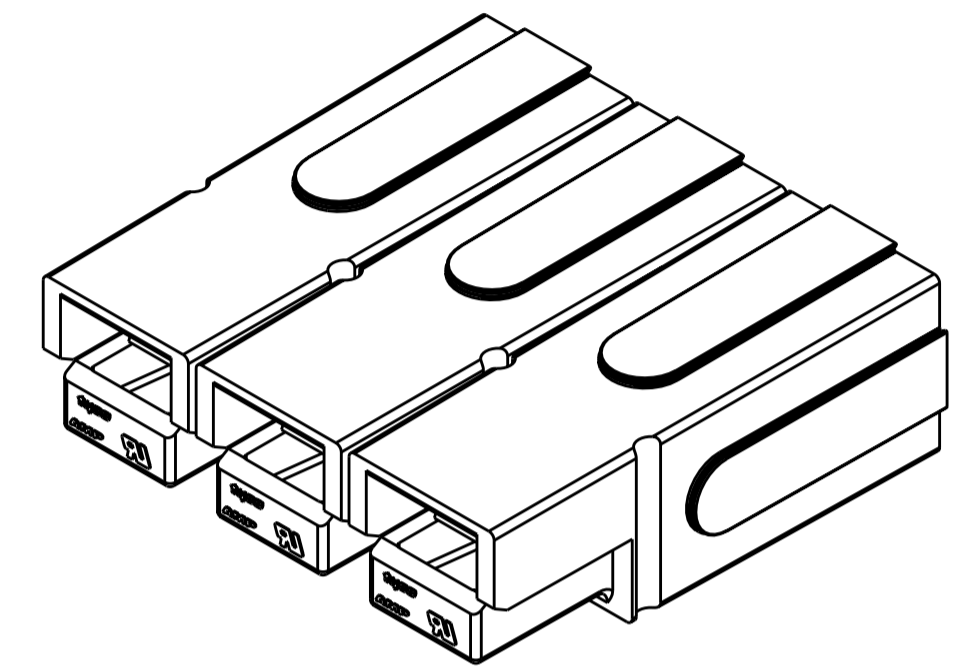
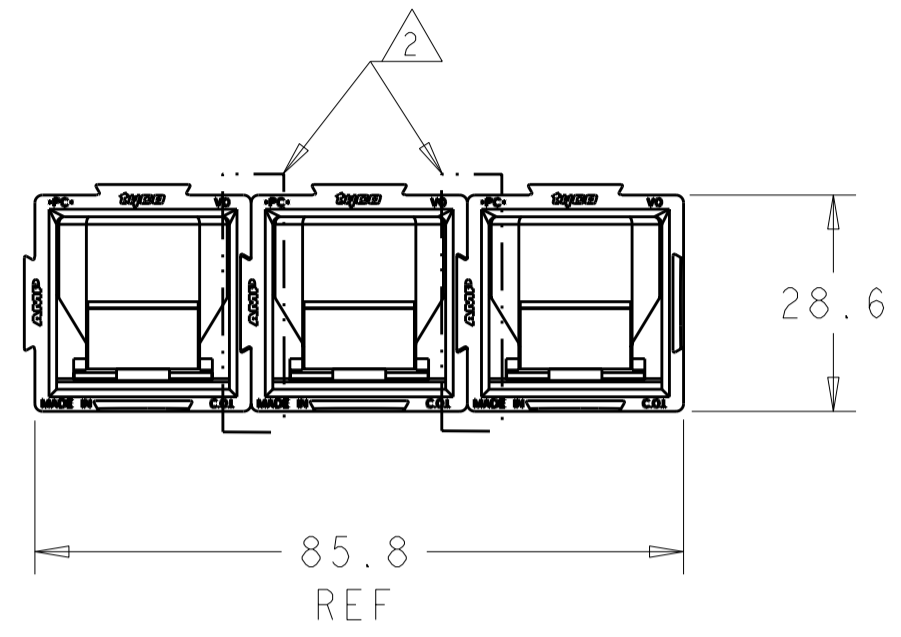


THIS DRAWING IS UNPUBLISHED. RELEASED FOR PUBLICATION 20  
 © COPYRIGHT 20 BY TYCO ELECTRONICS CORPORATION. ALL RIGHTS RESERVED.

LOC		DIST		REVISIONS			
P	LTR	DESCRIPTION	DATE	DWN	APVD		
FT	0						
	A	PRELIMINARY	17JAN2007	SW	SH		
	B	REVISED ECO-07-001975	25JAN2007	SW	SH		
	C	REVISED PER ECO-07-005280	07MAR2007	SS	SH		
	D	REVISED ECO-07-022170	01OCT2007	SW	FD		



- ① MATERIAL AND FINISH:  
HOUSING - POLYCARBONATE, COLOR: SEE TABLE  
SPRING - STAINLESS STEEL
- ② ULTRASONICALLY WELDED IN AREA INDICATED.

2, 3	2	POSN 1	1	1986002-2
POSN 1	1	2, 3	2	1986002-1
POSN	QTY	POSN	QTY	PART NUMBER
RED		BLUE		
HOUSING SUBASSEMBLY				

THIS DRAWING IS A CONTROLLED DOCUMENT FOR TYCO ELECTRONICS CORPORATION. IT IS SUBJECT TO CHANGE AND THE CONTROLLING ENGINEERING ORGANIZATION SHOULD BE CONTACTED FOR THE LATEST REVISION.		DWN	S. WELDON	17JAN2007	Tyco Electronics Harrisburg, PA 17105-3608
DIMENSIONS:		CHK	S. HEADER	17JAN2007	
mm		APVD	S. HEADER	17JAN2007	
TOLERANCES UNLESS OTHERWISE SPECIFIED:		PRODUCT SPEC			
0 PLC ±0		APPLICATION SPEC			
1 PLC ±0		WEIGHT			
2 PLC ±0		SCALE			
3 PLC ±0		SHEET			
4 PLC ±0		OF			
ANGLES ±		REV			
FINISH		CUSTOMER DRAWING			