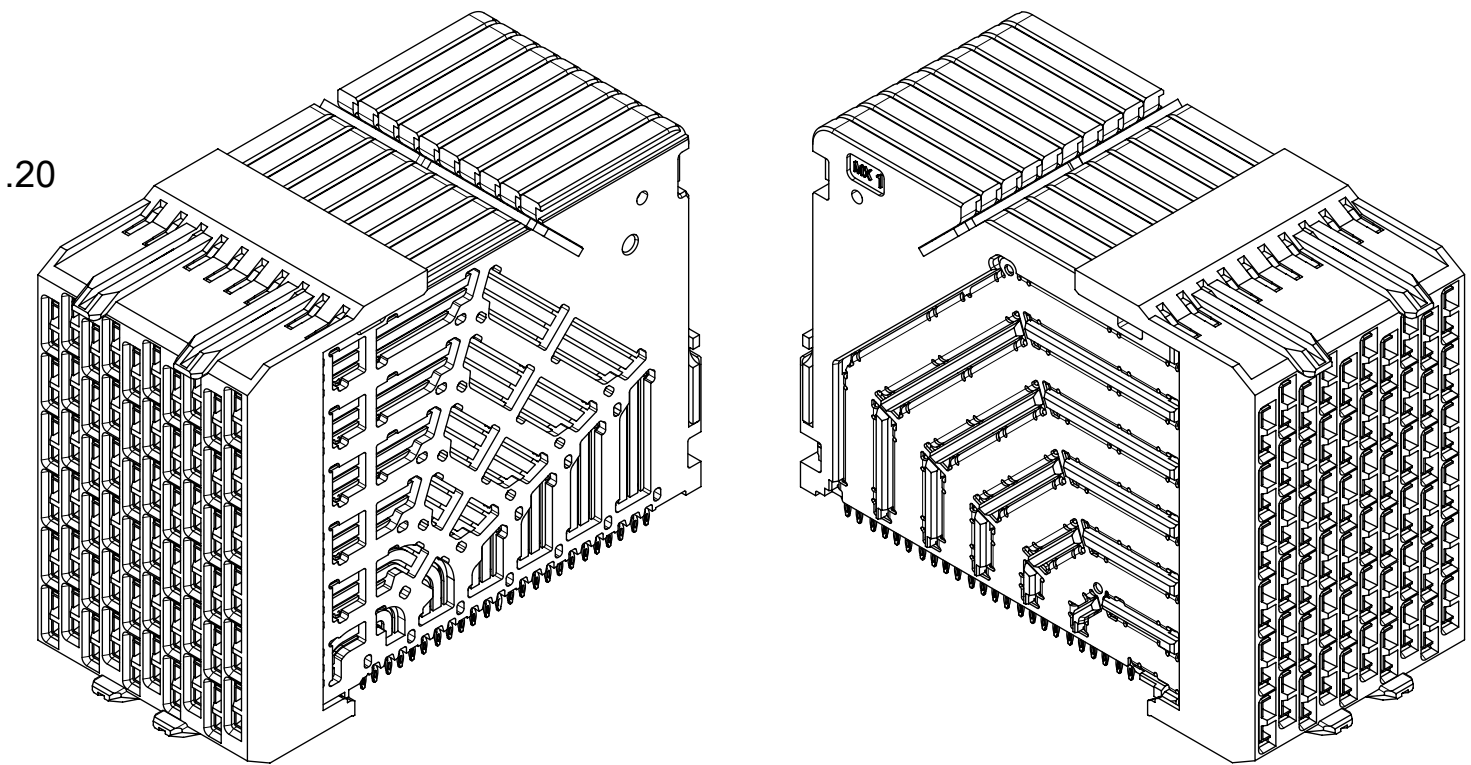


NOTES:

1. MATERIALS: HOUSING - LIQUID CRYSTAL POLYMER (LCP)
GLASS-FILLED, UL94V-0
TERMINALS - HIGH PERFORMANCE COPPER ALLOY
2. FINISH: 30uIN GOLD IN CONTACT AREA.
SELECTIVE TIN ON PCB TAILS.
NICKEL OVERALL.
3. REFER TO MOLEX PRODUCT SPECIFICATION PS-171320-999 FOR PERFORMANCE SPECIFICATIONS.
4. THIS PART CONFORMS TO CLASS B REQUIREMENTS OF MOLEX COSMETIC SPEC PS-45499-002.
5. PRODUCT WILL BE PACKAGED PER PK-78888-088.
6. SEE SHEET 2 FOR HOLE PATTERN DIMENSIONS.
7. MATES WITH IMPEL BP SERIES NUMBER 171395.
8. REFER TO IMPEL PCB ROUTING GUIDE AS-171320-990 FOR ANTIPAD, ROUTING RECOMMENDATIONS, AND ADDITIONAL PCB INFORMATION.
9. WHEN STACKING MODULES END TO END, THE MINIMUM COLUMN TO COLUMN HOLE SPACING IS 2.65mm.



THIS DRAWING CONTAINS INFORMATION THAT IS PROPRIETARY TO MOLEX ELECTRONIC TECHNOLOGIES, LLC AND SHOULD NOT BE USED WITHOUT WRITTEN PERMISSION

EC NO: 177599 DRWN: ABN CHKD: CYLAW APPR: DWLE01	2017/12/14 2018/06/07 2018/06/19	GENERAL TOLERANCES (UNLESS SPECIFIED) ANGULAR TOL ± 0.5 ° 4 PLACES ± 3 PLACES ± 2 PLACES ± 0.13 1 PLACE ± 0.25 0 PLACES ±	DIMENSION UNITS: mm SCALE: 4:1 DRWN BY: JLAURX DATE: 2012/01/10 CHK'D BY: DATE: APPR BY: JLAURX DATE: 2012/05/18			
	DRAFT WHERE APPLICABLE MUST REMAIN WITHIN DIMENSIONS		DRAWING SIZE: C THIRD ANGLE PROJECTION	IMPEL DAUGHTERCARD ASSY 6 PAIR - 1.9MM PITCH UNGUIDED SALES DRAWING		
PRODUCT CUSTOMER DRAWING		SERIES: 171400 MATERIAL NUMBER: SEE CHART CUSTOMER: GENERAL MARKET	DOCUMENT NUMBER: SD-171400-0001 DOC TYPE: PSD DOC PART: 001 SHEET NUMBER: 1 OF 2			

MATERIAL NUMBER	NUMBER OF COLUMNS	NUMBER OF DIFF PAIR	DIM "A"	DIM "B"
171400-1038	8	48	15.95 MAX	13.30
171400-1020	10	60	19.75 MAX	17.10
171400-1022	12	72	23.55 MAX	20.90
171400-1026	16	96	31.15 MAX	28.50

171400 - 10**

MODULE TYPE

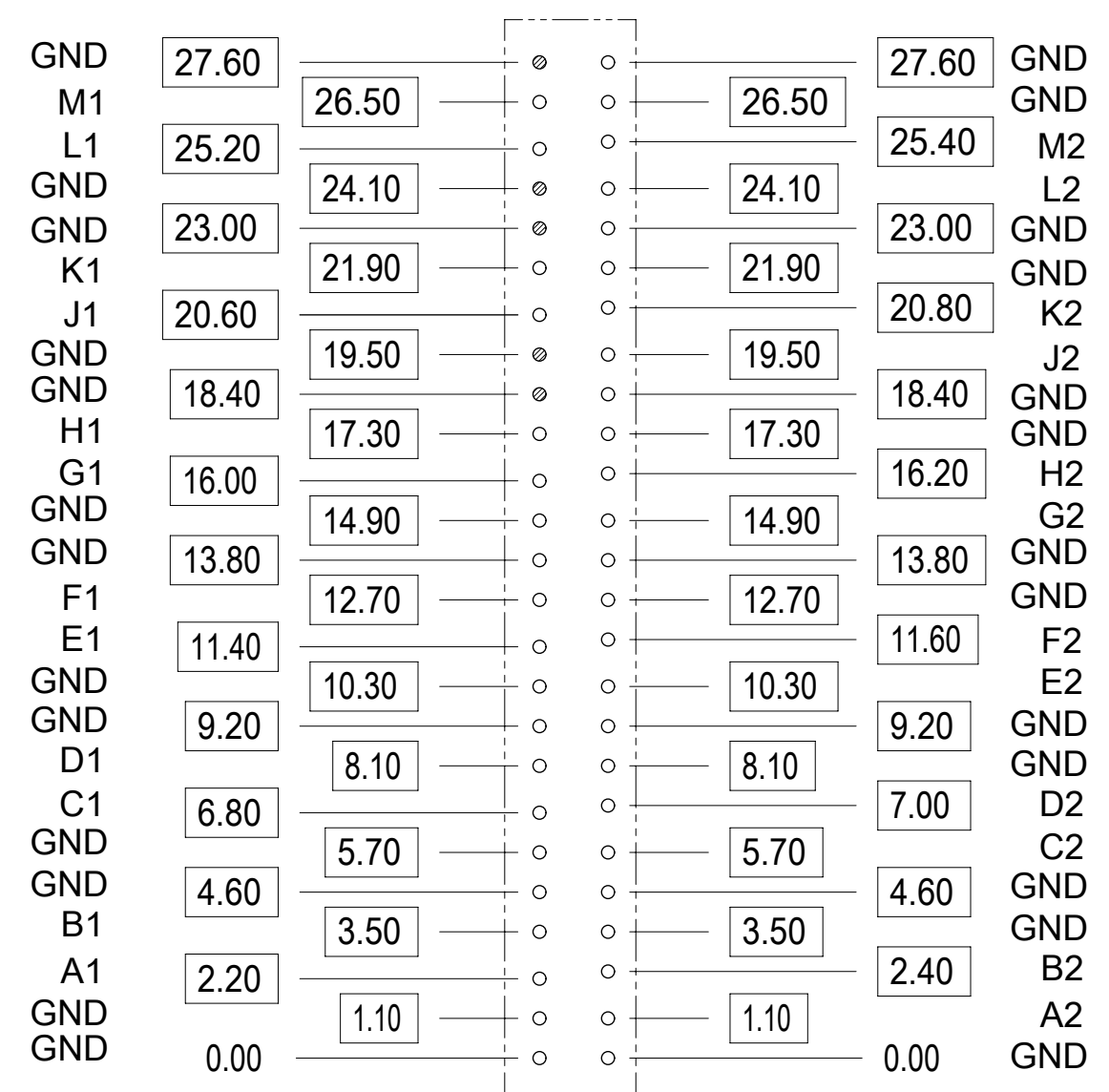
1 = UNGUIDE

KEY ORIENTATION

0 = NO KEY

OF COLUMNS

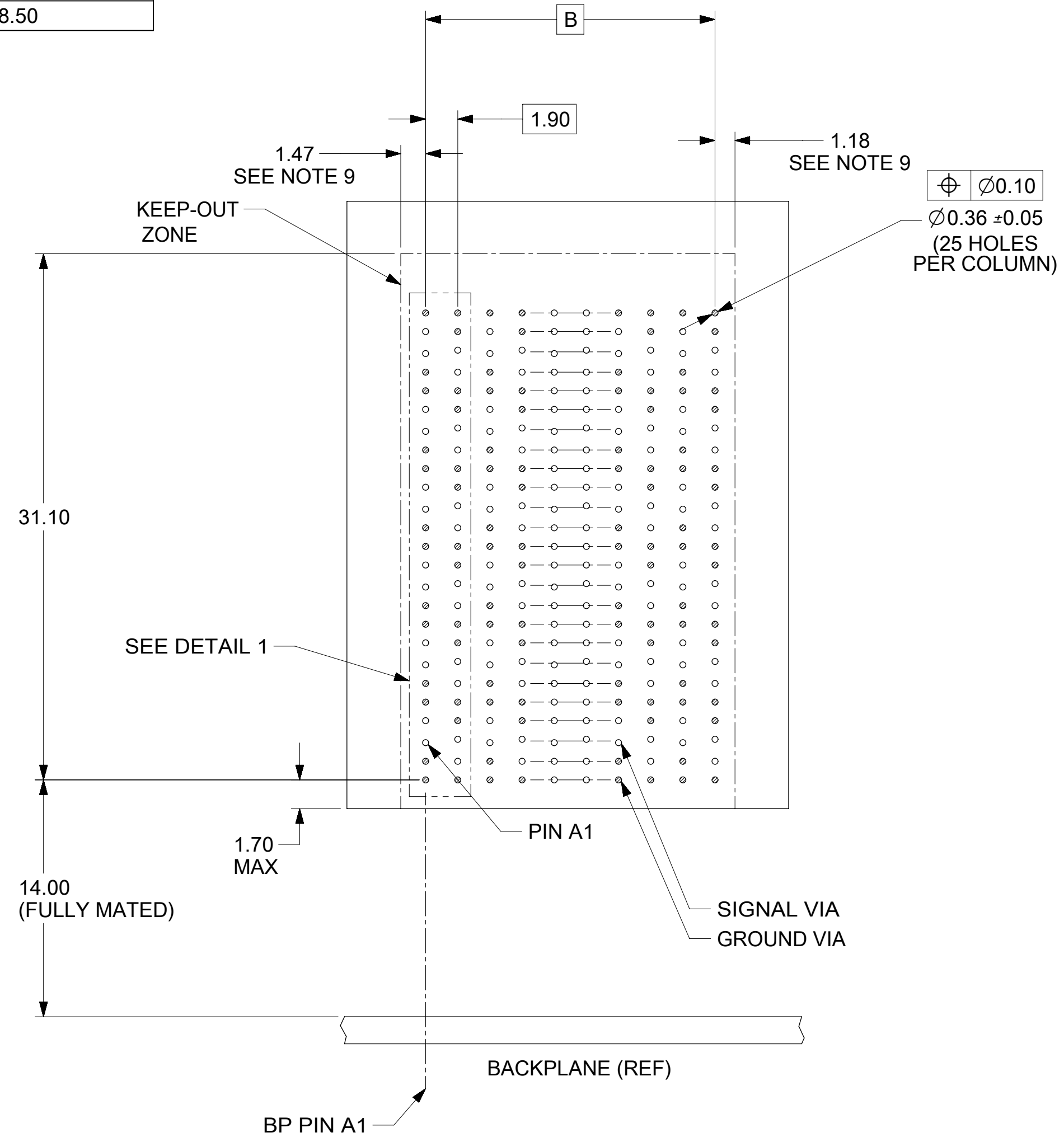
- 38 = 8 COL
- 20 = 10 COL
- 22 = 12 COL
- 26 = 16 COL



ODD COLUMN DIMENSIONS

EVEN COLUMN DIMENSIONS

DETAIL 1
SCALE 5:1



DAUGHTERCARD HOLE PATTERN (CONNECTOR SIDE)

THIS DRAWING CONTAINS INFORMATION THAT IS PROPRIETARY TO MOLEX ELECTRONIC TECHNOLOGIES, LLC AND SHOULD NOT BE USED WITHOUT WRITTEN PERMISSION

EC NO: 177599 DRWN: ABN CHKD: CYLAW REV: APPR: DWLE01	2017/12/14 2018/06/07 2018/06/19	GENERAL TOLERANCES (UNLESS SPECIFIED) ANGULAR TOL $\pm 0.5^\circ$ 4 PLACES \pm 3 PLACES \pm 2 PLACES ± 0.13 1 PLACE ± 0.25 0 PLACES \pm	DIMENSION UNITS: mm SCALE: 1:1	
	DRWN BY: JLAURX DATE: 2012/01/10	DATE: 2012/05/18	PRODUCT CUSTOMER DRAWING	
	SERIES: 171400 MATERIAL NUMBER: SEE CHART CUSTOMER: GENERAL MARKET	DIMENSION UNITS: C THIRD ANGLE PROJECTION	DOCUMENT NUMBER: SD-171400-0001 DOC TYPE: PSD DOC PART: 001 SHEET NUMBER: 2 OF 2	
	IMPEL DAUGHTERCARD ASSY 6 PAIR - 1.9MM PITCH UNGUIDED SALES DRAWING			