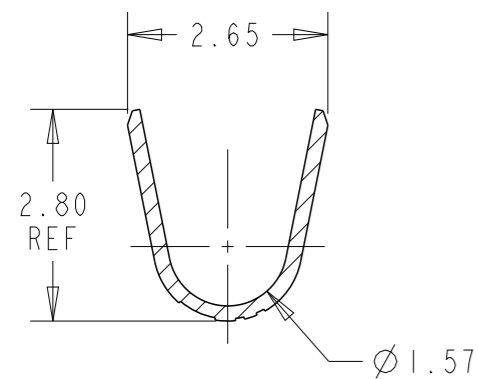
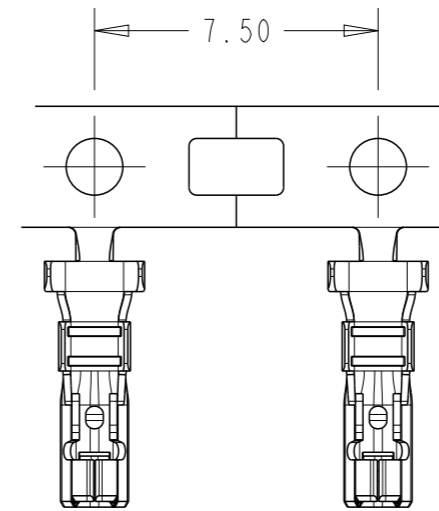
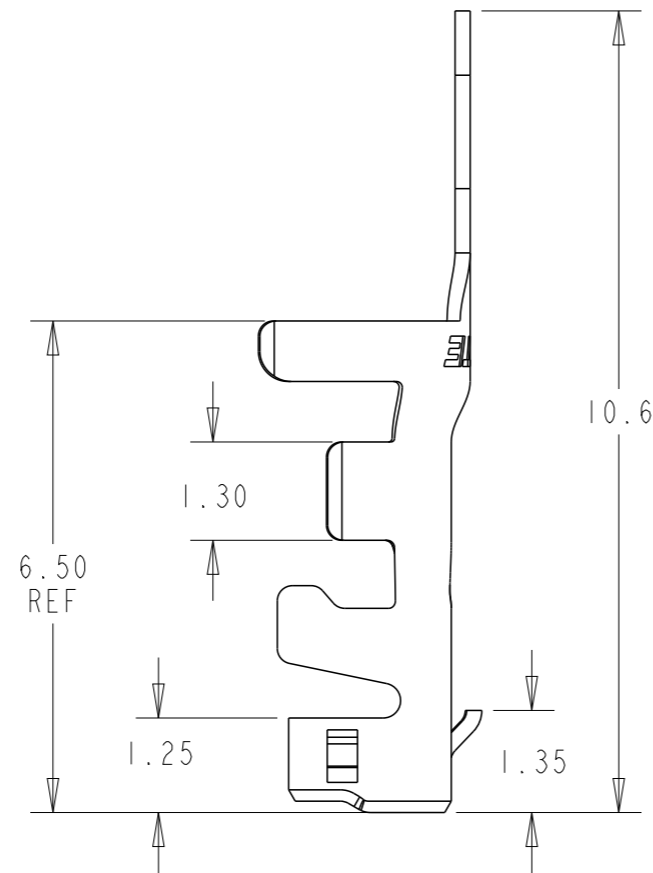
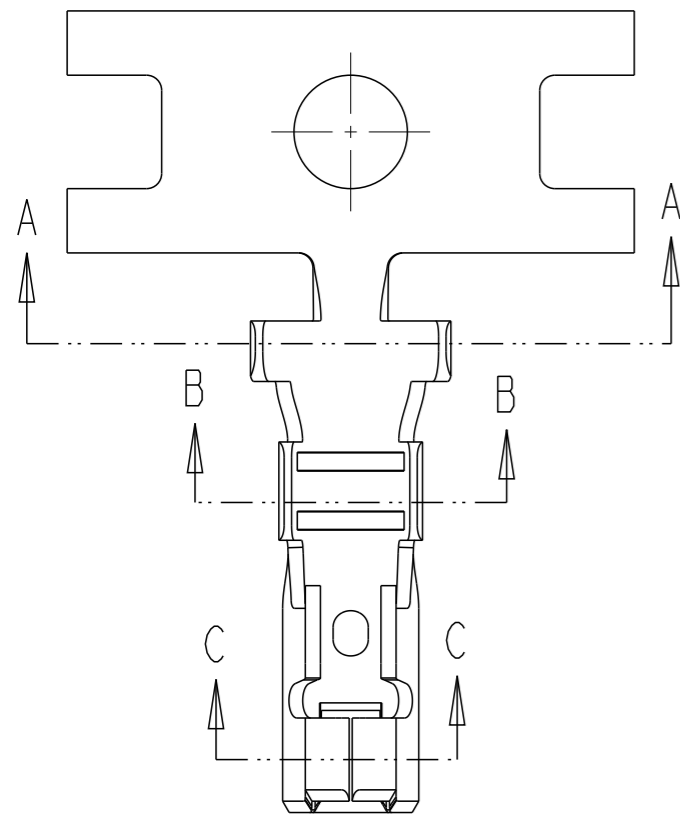
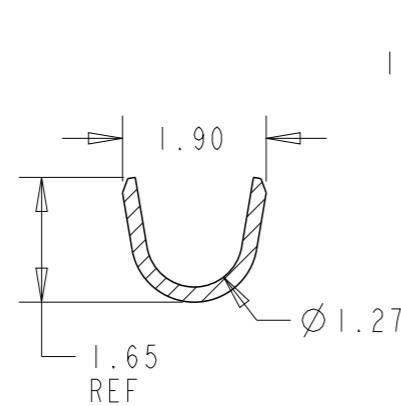


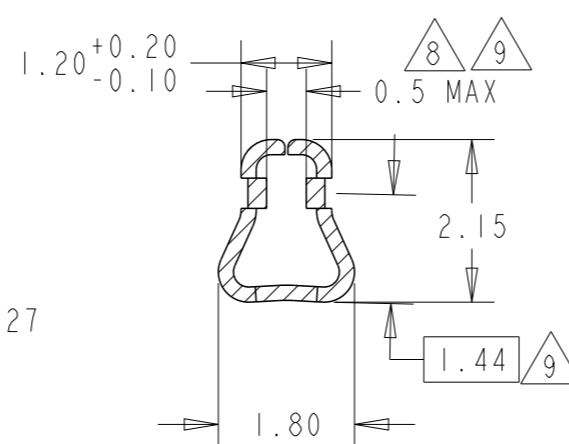
P	LTR	DESCRIPTION	DATE	DWN	APVD
	A	INITIAL RELEASE PER ECN-21-101569	26MAR2021	SK	DZ
	A2	REVISED PER ECR-22-136695	20MAY2022	P.C	D.Z



SECTION A-A



SECTION B-B



SECTION C-C

- 1 MATERIAL: PHOSPHOR BRONZE.
- 2 FINISH: PRE-TIN.
- 3 DESIGNED FOR USE IN HOUSINGS []-1969442-[] OR []-1744417-[].
- 4 CONTACTS COATED WITH ANTI-FRETTING LUBRICANT.
- 5 CONTACT IS RoHS COMPLIANT.
- 6 WIRE RANGE: 0.13~0.36mm² [26-22 AWG] STRANDED.
- 7. INSULATION RANGE: 1.30~1.91
- 8 AFTER CRIMP DIMENSION
- 9 MEASURE LOCATION FOR 0.50mm MAX DIMENSION

2382224-1

PART NUMBER

THIS DRAWING IS A CONTROLLED DOCUMENT.		DWN S. KAMBAL	26MAR2021	TE Connectivity NAME LOW INSERTION FORCE CONTACT, EP 2.5, RECEPTACLE			
DIMENSIONS: mm		CHK W. HUO	26MAR2021				
TOLERANCES UNLESS OTHERWISE SPECIFIED:		APVD D. ZHANG	26MAR2021				
0 PLC ± 1 PLC ±0.4 2 PLC ±0.3 3 PLC ± 4 PLC ± ANGLES ±°		PRODUCT SPEC 108-2418	APPLICATION SPEC 114-13315				
MATERIAL 1	FINISH 2	WEIGHT -	CUSTOMER DRAWING	SIZE A3	CAGE CODE 00779	DRAWING NO C-2382224	RESTRICTED TO
				SCALE 5:1	SHEET 1 OF 1	REV A2	