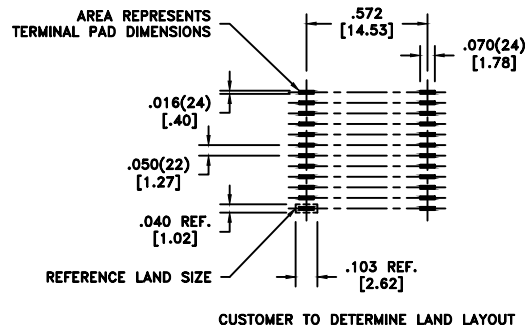
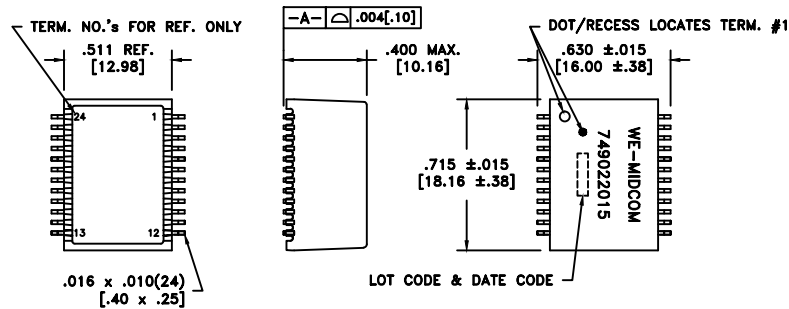


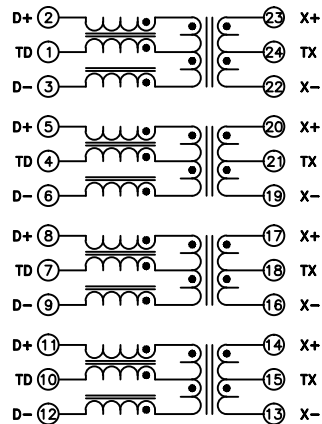
CUSTOMER TERMINAL	RoHS	LEAD(Pb)-FREE
Sn96%, Ag4%	Yes	Yes

\\wt-file02\val\drft\Midcom_Wurth_Elektronik.jpg



ELECTRICAL SPECIFICATIONS @ 25°C unless otherwise noted:

PARAMETER	TEST CONDITIONS	VALUE
INDUCTANCE	23-22 100kHz, 100mVAC, 24mADC, Lp	350uH min.
INDUCTANCE	20-19 100kHz, 100mVAC, 24mADC, Lp	350uH min.
INDUCTANCE	17-16 100kHz, 100mVAC, 24mADC, Lp	350uH min.
INDUCTANCE	14-13 100kHz, 100mVAC, 24mADC, Lp	350uH min.
DIELECTRIC	1-24 tie(1+4+7+10, 15+18+21+24), 1800Vrms, 1 second	1500Vrms, 1 minute
URNS RATIO	(2-3):(23-22)	1:1, ±2%
URNS RATIO	(5-6):(20-19)	1:1, ±2%
URNS RATIO	(8-9):(17-16)	1:1, ±2%
URNS RATIO	(11-12):(14-13)	1:1, ±2%
INSERTION LOSS	300k - 100MHz	-1.0dB max.
RETURN LOSS	500k - 40MHz	-18dB min.
RETURN LOSS	40M - 60MHz	-15dB min.
RETURN LOSS	60M - 80MHz	-12dB min.
RETURN LOSS	80M - 100MHz	-10dB min.
CROSSTALK	300k - 100MHz	-33dB min.
CMRR	300k - 32MHz	-42dB min.
CMRR	32M - 100MHz	-33dB min.



GENERAL SPECIFICATIONS:

OPERATING TEMPERATURE RANGE: -40°C to +85°C.

Designed to meet 802.3at and handle 720mADC current.

COPLANARITY: All 24terminals must lie on a plane within .004 [0.10] of Surface A after lead tinning.

REV.	DATE	Packaging Specifications
		Method: Tape & Reel
		PKG-0716
		www.we-online.com/midcom
PR6B	6/16	
6A	9/10	SEE REVISION SHEET FOR REVISION LEVEL



Tolerances unless otherwise specified:
 Angles: ±1° Decimals: ±.005 [.13]
 Fractions: ±1/64 Footprint: ±.005 [.13]

This drawing is dual dimensioned. Dimensions in brackets are in millimeters.

DRAWING TITLE
TRANSFORMER
AEDFP-G24
 eiSos p/n: 749022015

PART NO.
749022015
 SPECIFICATION SHEET 1 OF 1